

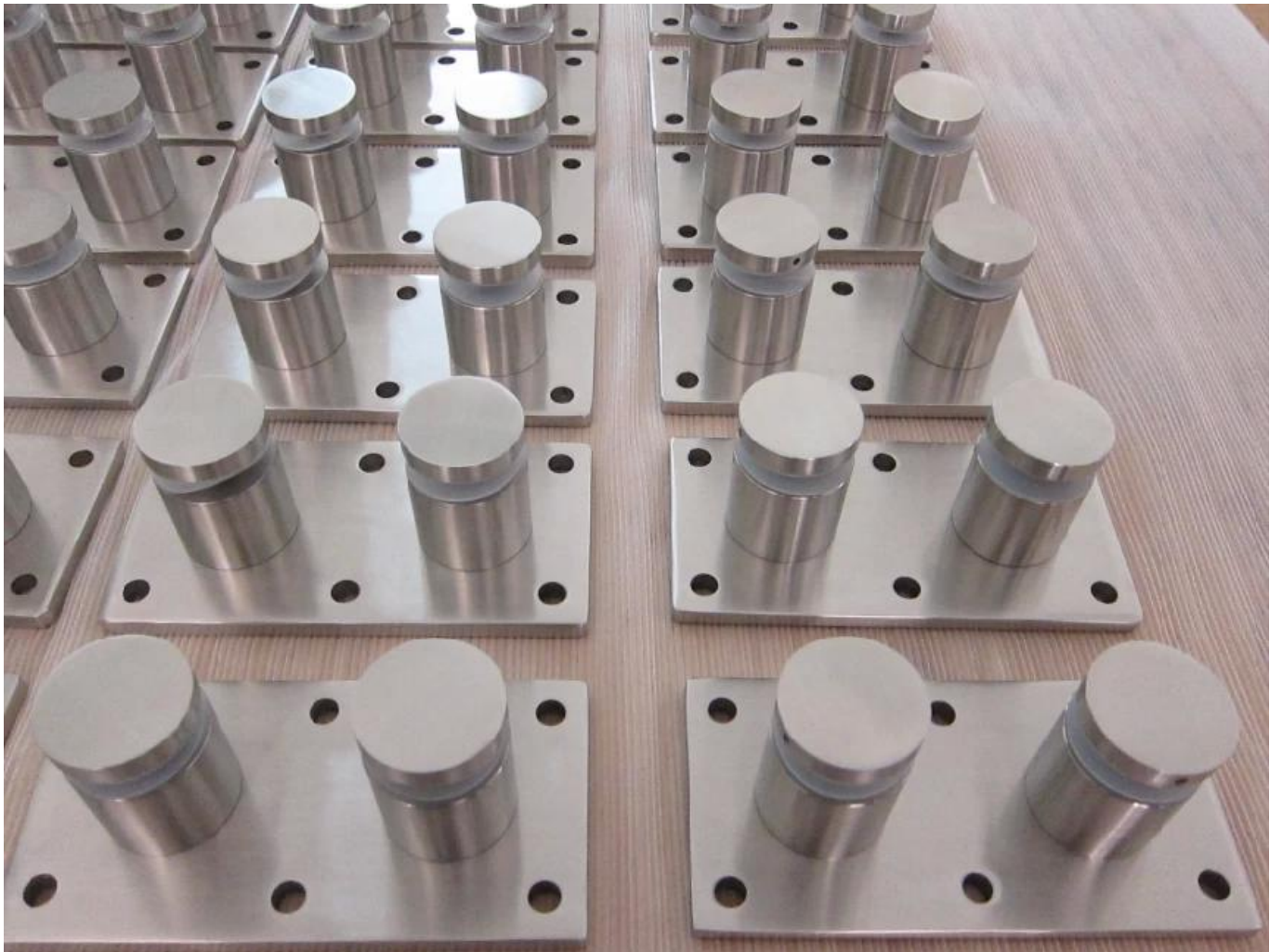
Edelstahl-Abstandshalter, Juliet-Balkon und verschraubtes Glassystem

Produktname	Edelstahl-Abstandshalter, Juliet-Balkon und verschraubtes Glassystem
Modell Nr.	SF-50T
Material	Edelstahl 304/316
Fertig	Hochglanzpoliert oder satiniert
Glasabstandsgröße	50x12mm Kappe, 50x44mm Gehäuse, 200 * 100 * 10 Sockel
Für Glasdicke	12-19mm oder wie pro anforderungen der kunden
Gebohrt Glasloch	Durchmesser 14mm in Glas erforderlich
Nettogewicht	3236 g / Stück
Montage	Holz-, Stahl- oder Betonsubstrat
MOQ	Ein Stück
Probe	Verfügbar
OEM & ODM-Service	Akzeptabel
Anwendung	Design von Innen- und Außentreppen, Balkongeländer, rahmenloses Glasgeländer an Deck, Juliet-Balkongestaltung, schwebende Treppe
Fabrik Inspektion	Verfügbar
Abstandsverpackung	Ein stück in eine luftblasenbeutel, dann in eine weiße box, 12 stücke in einen karton oder verpackung nach kundenwunsch

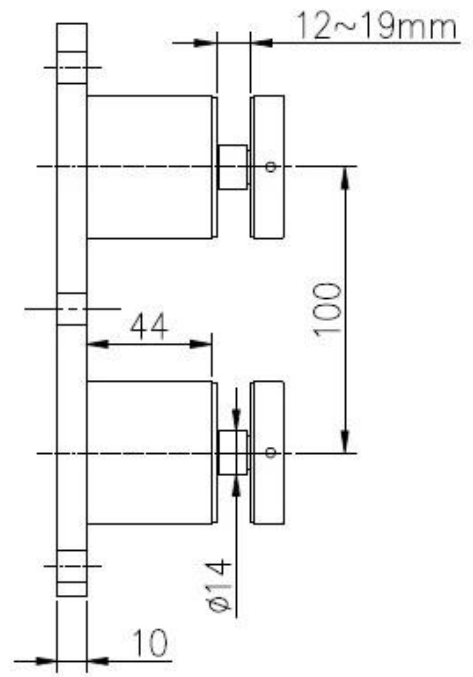
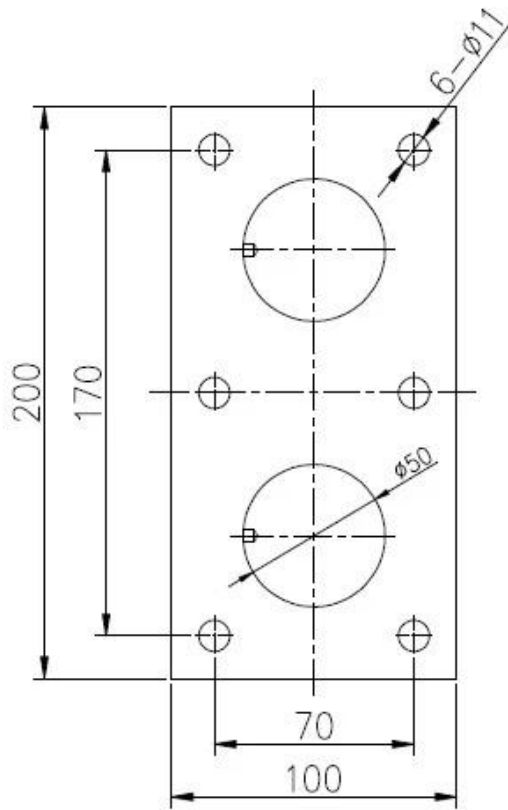
Produkt Show:

KEBIL 科比奥®





Technische Zeichnung:



Projektfotos:



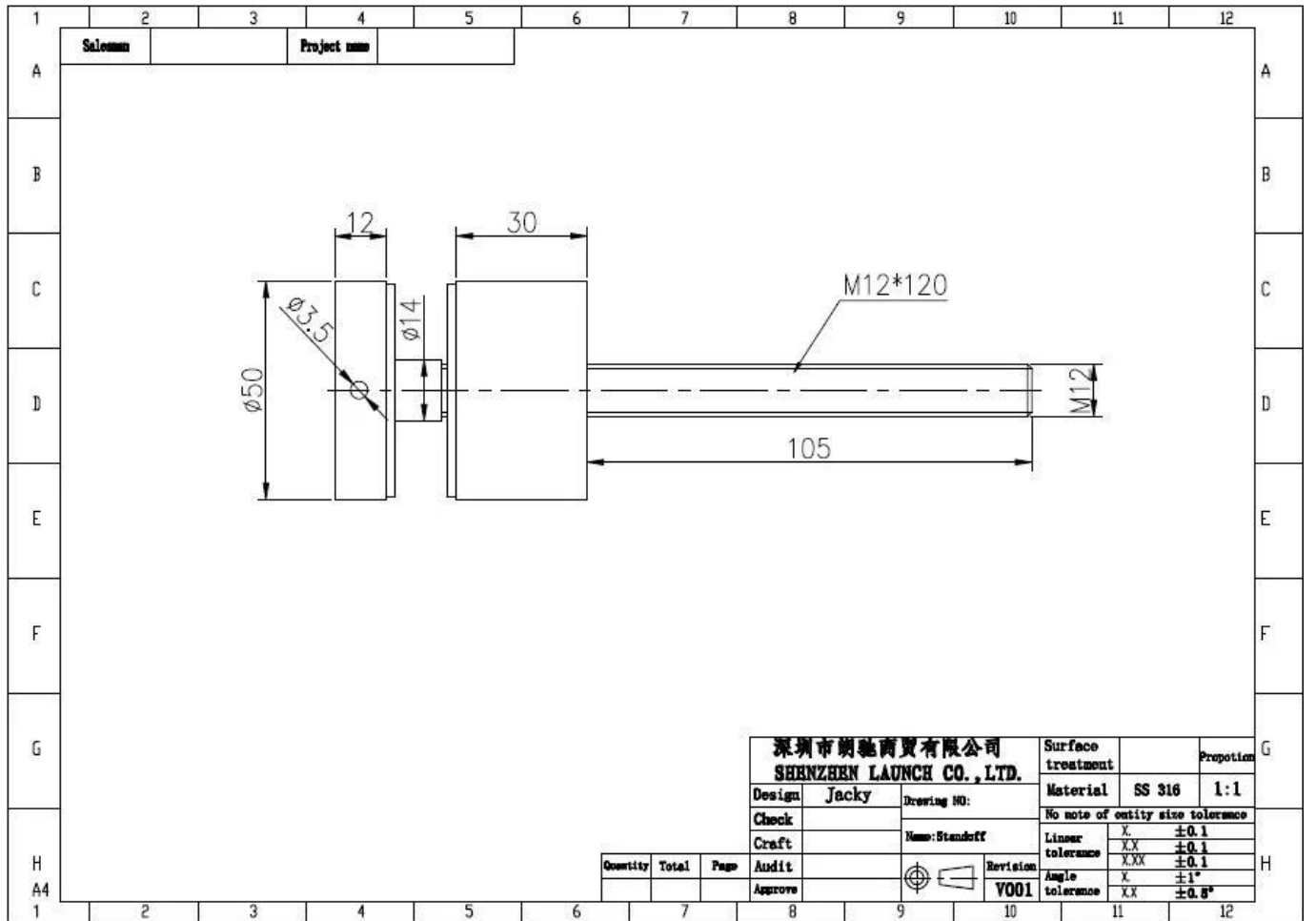
**ANDERE TYPEN VON GLASGELÄNDERN VERFÜGBAR:
Durchmesser 50mm Glasabstandshalter in Spiegel / Satiniertes Modell SF-50:**

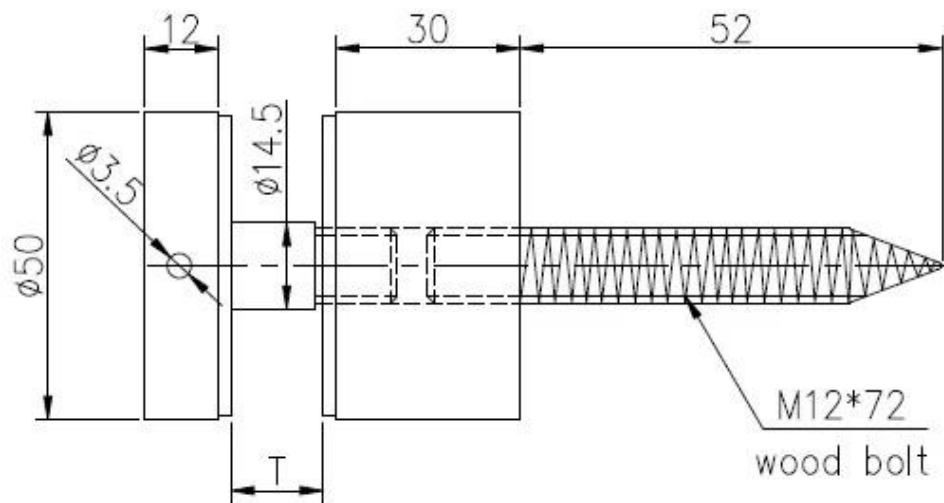


Mit Betonschraube & Holzschraube Modell SF-50W:



Technische Zeichnung:





深圳市朗馳商貿有限公司 SHENZHEN LAUNCH CO., LTD.				Surface treatment		Proport
Design	Jacky	Drawing NO: SF-60		Material		1:1
Check		Name: Standoff		No note of entity size tolerance		
Craft				Linear tolerance	X. ±0.1	
Audit					X.X ±0.1	
Approve				Angle tolerance	X. ±1°	
Quantity	Total	Page			X.X ±0.5°	

Projektfotos:

Glas-Abstandshalter für Außen- und Innenanwendungen, rahmenlose Abstandshalter aus Glas, Abstandshalter aus Edelstahl, Abstandshalter aus Glas



Abstandshalter aus Edelstahlglas für rahmenlose Glasbalustraden



Abstandhalter aus Edelstahl, Halterung für Glasscheiben, Geländerdesign



Firmeninfo:

Shenzhen Launch Co., Ltd was established in 2004, located at Nanshan District, Shenzhen, and one hour by car from Hongkong International Airport. Our main product is high-grade building materials includes stainless steel balustrade post, staircase handrail, balcony guardrail, swimming pool fence and other high-grade building materials. All the products are designed strictly according to the high-end market requirements. We have our own factory in Tangxia Town, Dongguan, has a variety of precision equipment more than 50 sets: CNC lathe, milling machine, punching machine, pipe cutter, argon welder, drilling machine, polisher, etc. which can provide customers with complete product processing services. With the German SPECTRO Spectrometer, we insist on testing every batch of materials to ensure that the material is highly qualified. We also have hardness gauge, secondary element and other test equipment to ensure the products meets customers' requirements.

ABOUT US



OUR ADVANTAGE

Please do not hesitate to contact us if you have any requirement regarding our production lines, you can expect a timely reply with professional solutions!



Own factory, shortest lead time.



Can help customers design product drawings based on customer ideas and design engineering installation drawing according to the customer site sketch.



Sample order, trial order acceptable.



Provide material test report to ensure that the material is qualified.



13 years of industry experience, we can help customers recommend the best solution to help customers save cost.

OUR FACTORY

More than 13 years experience in hardware industry design and processing, we can provide customized services from design to the sample and small batch trial production.



PRODUCTION PROCESS



Casting



CNC lathe



CNC Milling



Stamping



Drilling & Tapping

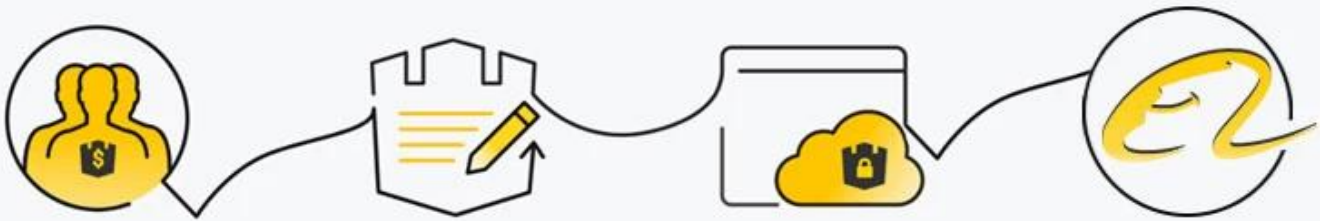


Polishing



PAYMENT & TRANSPORTATION

Welcome Alibaba Trade Assurance Order!



- 1 Start an order
- 2 Negotiate terms with our sales service & confirm order
- 3 Make payment
- 4 Alibaba provide full assurance



FAQ

1. What materials do you have?

SS304, SS316, SS316L, Duplex 2205, etc.

2. Can you send me your whole price list?

Sorry, as the price related to many factors, such as quantity, material type, surface treatment and so on, we will offer you exact quote after we confirm your detailed requirements.

3. Do you offer OEM & ODM service?

Yes, we can make the products according to your technical drawings or samples, we are professional in investment casting, die casting, stamping, CNC machining, etc.

4. What kind of payment you accept?

T/T, L/C, PayPal, West Union, etc.

5. What is your payment term?

TT(30/70) or LC at sight.

6. What is your delivery time?

Within 5 workdays for hot-sale items, 15-25 workdays for batch orders.

7. Do you offer after-sales service?

Of course, any question after you purchase our products, we will get back to you within 24 hours.

Kontaktieren Sie uns jetzt für weitere Informationen!

Email: sales03@launch-china.cn

Mob: +8615907334556

Eve Chow

Sales representative

M : +86 159 0733 4556

T : +86 755 8603 7559

E : sales03@launch-china.cn

A : B5-5003, Yilida Bldg, Nanshan District, Shenzhen