

Shenzhen Launch stellt hydraulisch weich schließende Duschtürglasscharniere aus Edelstahl 304/316 her.

Modell	B90
Material	Edelstahl 304/316
Fertig	Satin, Spiegel, schwarz
Max. Türhöhe	2100mm
Max. Türbreite	1000mm
Max. Türgewicht pro Paar Glasscharnier	45 kg
Anwendung	Duschglastüren, Glaszaun Tore
MOQ	1 Paar = 2 Stk

Fotos von sanft schließenden Duschtür Glasscharnier-







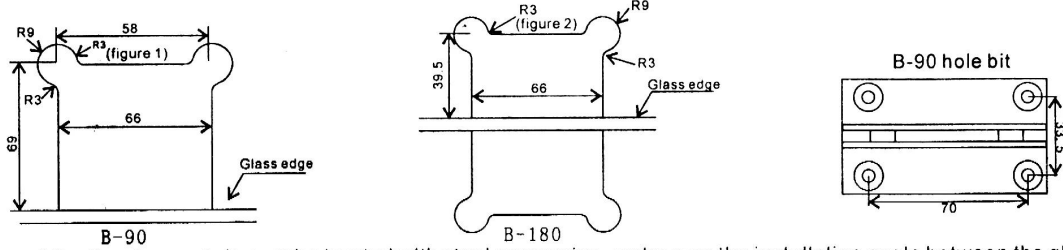
Montageanleitung für sanft schließendes Duschtürglasscharnier -

B-90 B-180 Hydraulic Buffer Glass Door Hinges' Specification

Application range & glass door parameters :

1. This series of hydraulic glass hinge is suitable for tempered glass door without frame .
2. Suitable for MAX door height $\leq 2100\text{mm}$
3. Suitable for MAX door width $\leq 1000\text{mm}$
4. Glass door thickness : 8-12mm
5. Maximum bearing weight of 45KG/2PCS

Glass door open cut reference graph (figure 1B -90 figure 2B - 180)

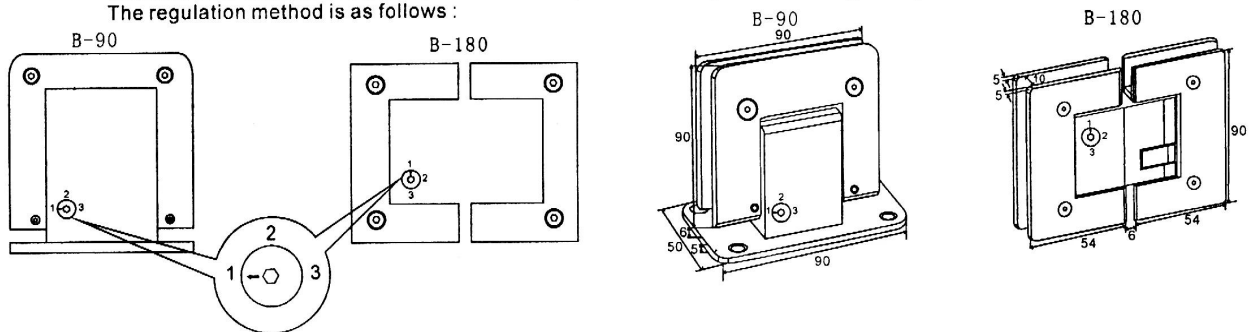


After the glass cut , it must be treated with steel processing , make sure the installation angle between the glass door and the ground is 90°when you install it .

The hydraulic glass door hinge can be adjusted for closing strength for 1 .2 .3 degree

Note:the door must be completely closed before you need to adjust the closing strength .

The regulation method is as follows :



(Twist the arrow to the position of desire strength)

Verpackungsdetails -

1 Stück in eine weiße Schachtel, 10 Stück in einen Karton



Projektfotos von sanft schließendem Duschtürglasscharnier -

