

Barandilla de vidrio de 2 "de 50 mm Separador de vidrio de alta resistencia

Producto nombre	Separador de vidrio, separador de barandilla de vidrio, soportes de separador de barandilla de vidrio
Modelo número	SF-50G
Material	Acero inoxidable 316
Tratamiento de superficies	Satinado cepillado o pulido espejo.
Dimensión	Diámetro 50 * 12 (mm) tapa, 50 * 40 (mm) cuerpo.
Dimensión de la placa base	211 * 50 * 12 (mm)
Para espesor de vidrio	15mm
MOQ	10 piezas

Presentacion de producto:

Espejo pulido brillante vidrio de servicio pesado standoff





Separador de vidrio resistente para usar con barandas de panel de vidrio de 15 mm de espesor

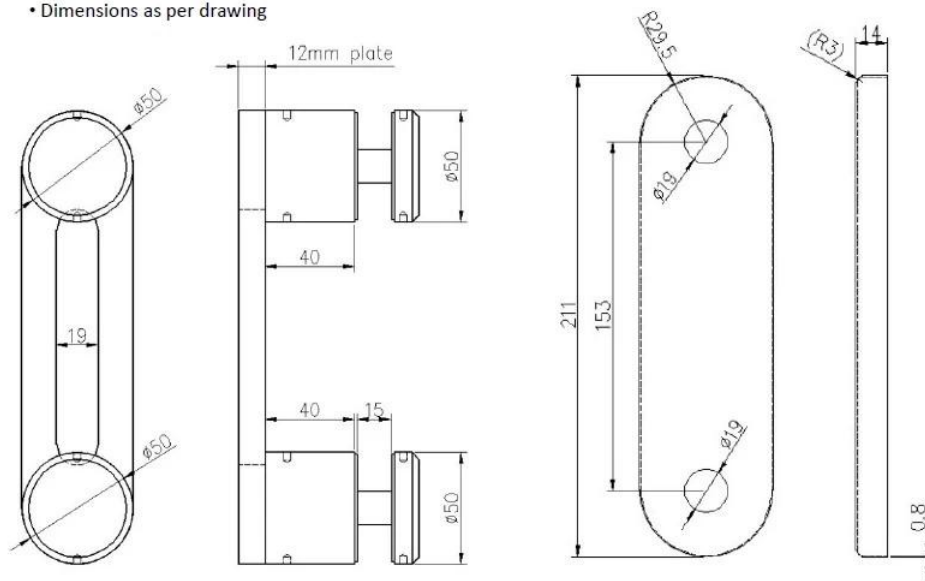




Dibujo técnico:

**Specs. For SS 2-ble Buttons Attachment
System 50mm (w) by 8" (h)**

- stainless steel 316 , polished
- Dimensions as per drawing



**OTROS TIPOS DE CRISTAS DE CRISTAL DE CRISTAL DISPONIBLES:
Dia 50mm Standoff de vidrio en Acabado satinado:**



Dia 50mm Standoff de vidrio en Acabado de espejo:

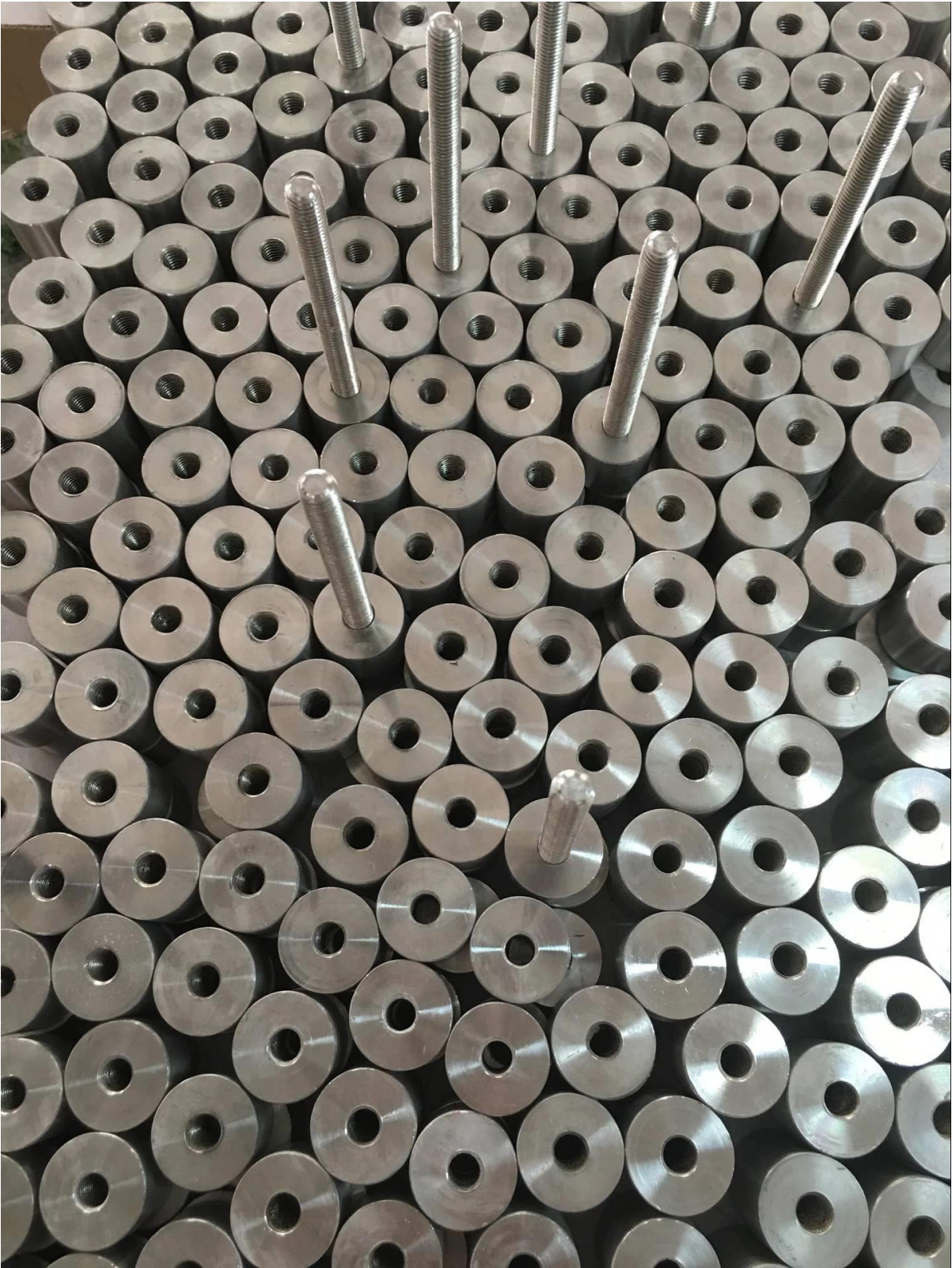
KEBIL 科比奥®



Con tornillo de hormigón y & tornillo de madera

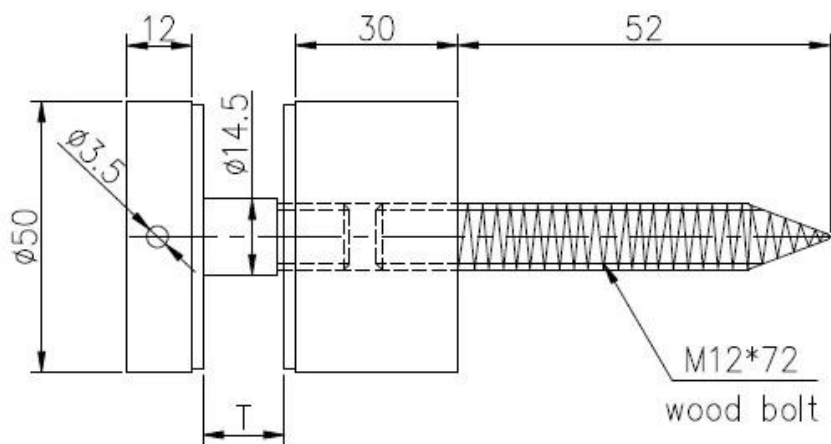
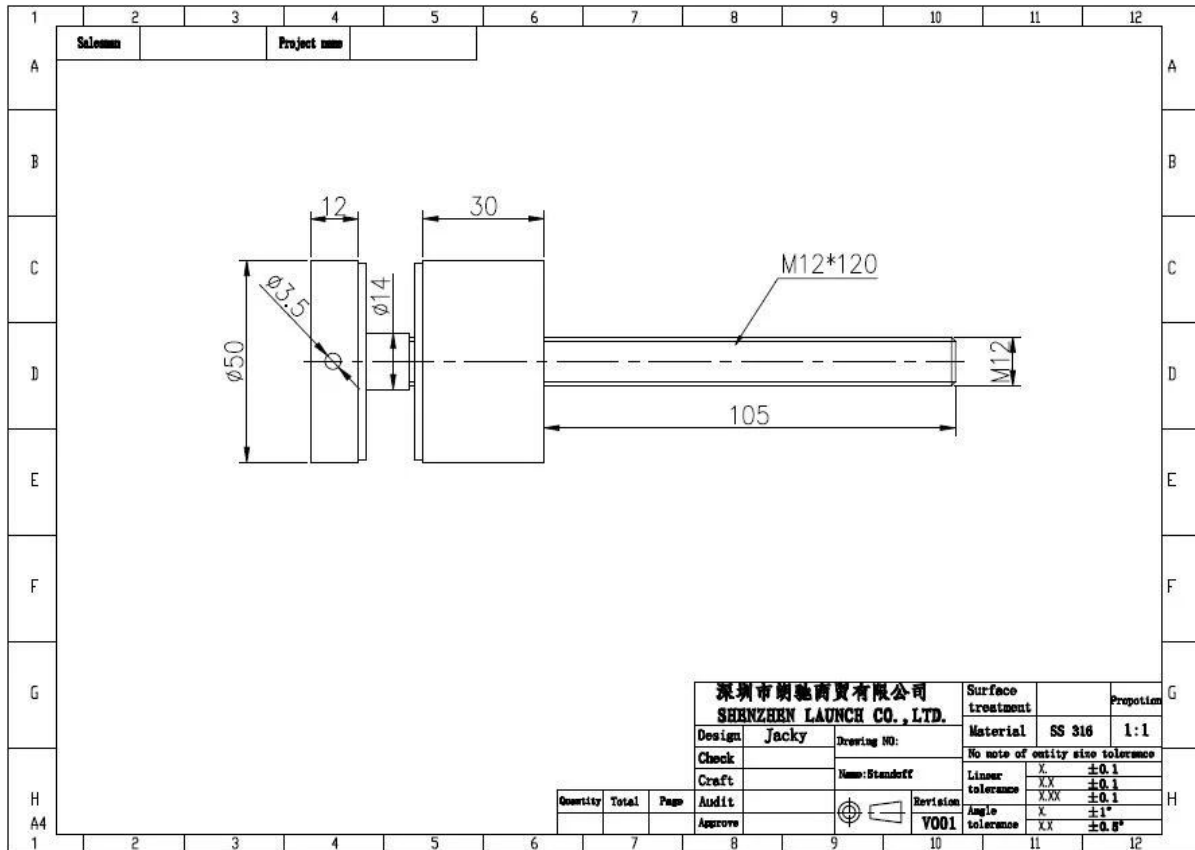


Productos reales:





Dibujo técnico:



深圳市朗驰商贸有限公司 SHENZHEN LAUNCH CO., LTD.			Surface treatment	Propot:
Design	Jacky	Drawing NO: SF-68	Material	1:1
Check		Name: Standoff	No note of entity size tolerance	
Craft			Linear tolerance	X ±0.1
Audit		Revision	XX	±0.1
Approve		V001	XXX	±0.1
			Angle tolerance	X ±1°
			XX	±0.5°

Fotos del proyecto:

Separador de cristal para interiores y exteriores, diseño de barandilla de vidrio sin marco, soporte de separador de vidrio de acero inoxidable, pasador de separador de vidrio

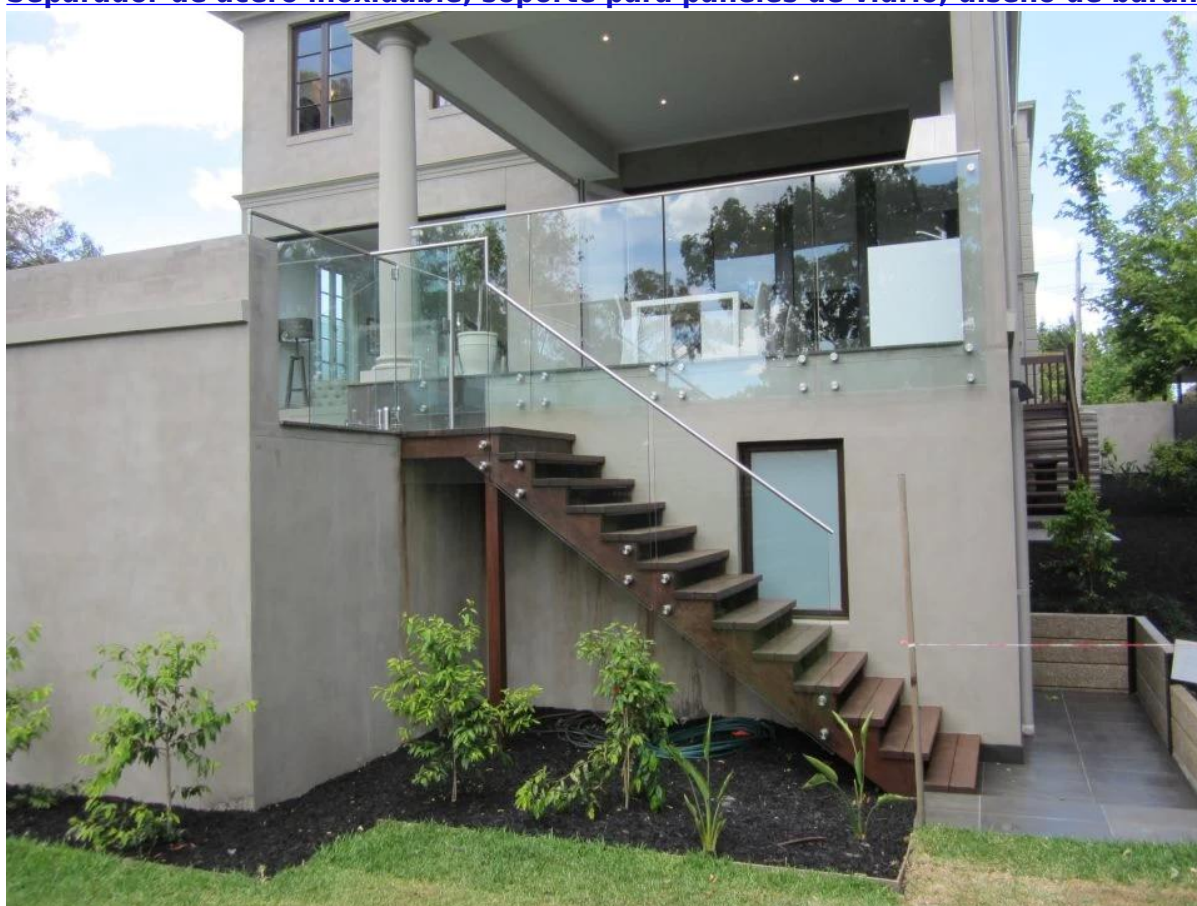




[Separador de vidrio de acero inoxidable para balastrada de vidrio sin marco](#)



Separador de acero inoxidable, soporte para paneles de vidrio, diseño de barandillas



Información de la compañía:

Shenzhen Launch Co., Ltd was established in 2004, located at Nanshan District, Shenzhen, and one hour by car from Hongkong International Airport. Our main product is high-grade building materials includes stainless steel balustrade post, staircase handrail, balcony guardrail, swimming pool fence and other high-grade building materials. All the products are designed strictly according to the high-end market requirements. We have our own factory in Tangxia Town, Dongguan, has a variety of precision equipment more than 50 sets: CNC lathe, milling machine, punching machine, pipe cutter, argon welder, drilling machine, polisher, etc. which can provide customers with complete product processing services. With the German SPECTRO Spectrometer, we insist on testing every batch of materials to ensure that the material is highly qualified. We also have hardness gauge, secondary element and other test equipment to ensure the products meets customers' requirements.

ABOUT US

Our Team



OUR ADVANTAGE

Please do not hesitate to contact us if you have any requirement regarding our production lines, you can expect a timely reply with professional solutions!



Own factory, shortest lead time.



Can help customers design product drawings based on customer ideas and design engineering installation drawing according to the customer site sketch.



Sample order, trial order acceptable.



Provide material test report to ensure that the material is qualified.



13 years of industry experience, we can help customers recommend the best solution to help customers save cost.

OUR FACTORY

More than 13 years experience in hardware industry design and processing, we can provide customized services from design to the sample and small batch trial production.



OUR CERTIFICATE

With premium quality, competitive price and superior service, we won a lot of customers' favor.
Our products are popular in North America, European and Australia.



PRODUCTION PROCESS



Casting



CNC lathe



CNC Milling



Stamping



Drilling & Tapping

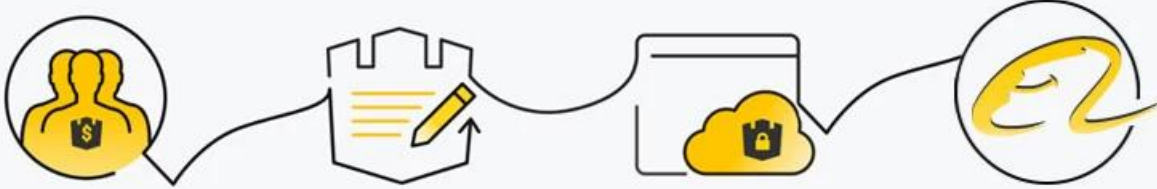


Polishing



PAYMENT & TRANSPORTATION

Welcome Alibaba Trade Assurance Order!



1 Start an order

2 Negotiate terms with our sales service & confirm order

3 Make payment

4 Alibaba provide full assurance



FAQ

1. What materials do you have?

SS304, SS316, SS316L, Duplex 2205, etc.

2. Can you send me your whole price list?

Sorry, as the price related to many factors, such as quantity, material type, surface treatment and so on, we will offer you exact quote after we confirm your detailed requirements.

3. Do you offer OEM & ODM service?

Yes, we can make the products according to your technical drawings or samples, we are professional in investment casting, die casting, stamping, CNC machining, etc.

4. What kind of payment you accept?

T/T, L/C, PayPal, West Union, etc.

5. What is your payment term?

TT(30/70) or LC at sight.

6. What is your delivery time?

Within 5 workdays for hot-sale items, 15-25 workdays for batch orders.

7. Do you offer after-sales service?

Of course, any question after you purchase our products, we will get back to you within 24 hours.

¡Contáctenos ahora para más información!
Correo electrónico: sales03@launch-china.cn
Mob: +8615907334556