

Base placa tipo gemelos pasador de separación de vidrio para balcones de vidrio sin marco de la barandilla de los pernos

El separador se puede montar tanto en piso de madera como de concreto.

Lugares de aplicación: barandilla de vidrio al aire libre y sistema de barandilla de vidrio en interiores

Áreas de aplicación:

balcón barandilla de vidrio

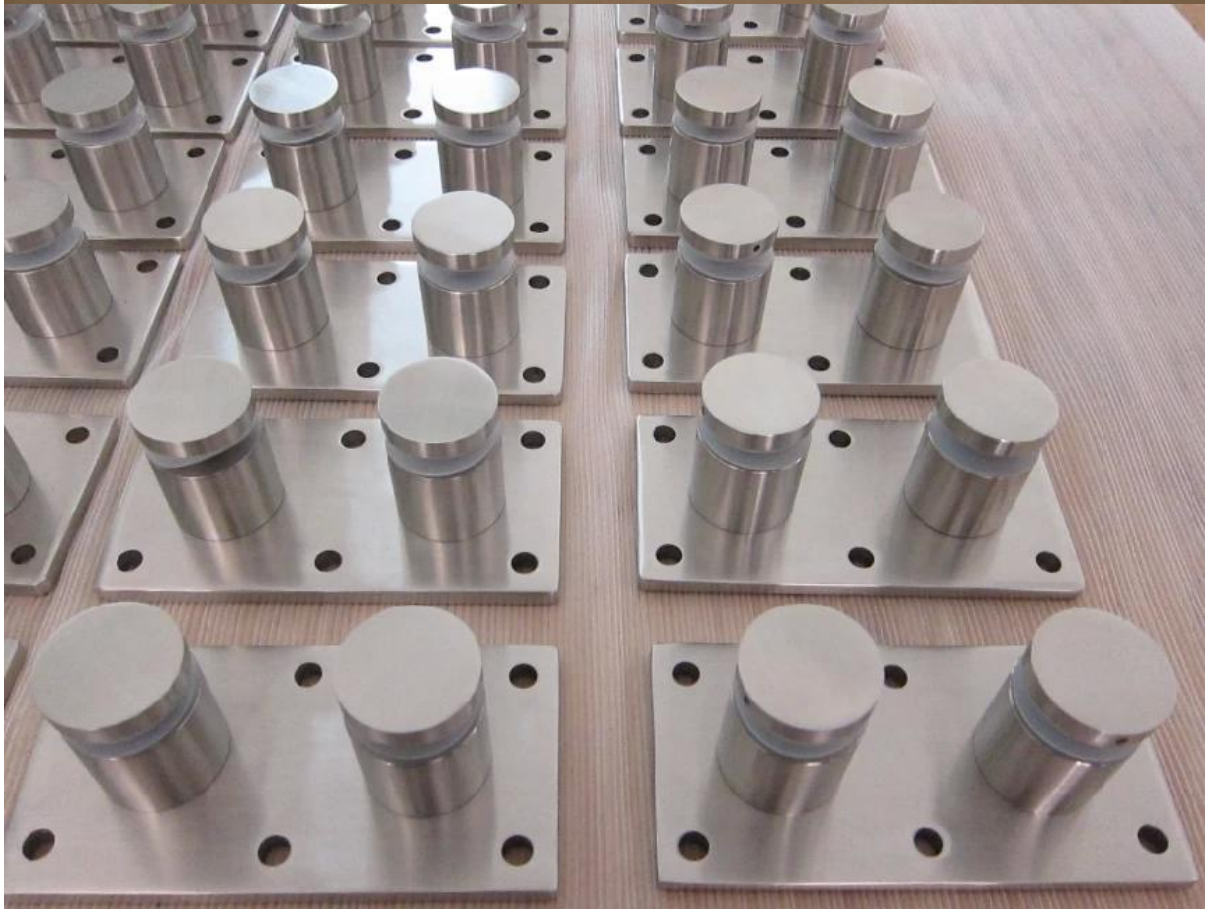
diseño de barandilla de vidrio escalera

diseño de barandilla de vidrio de la terraza, etc.

Presentacion de producto:

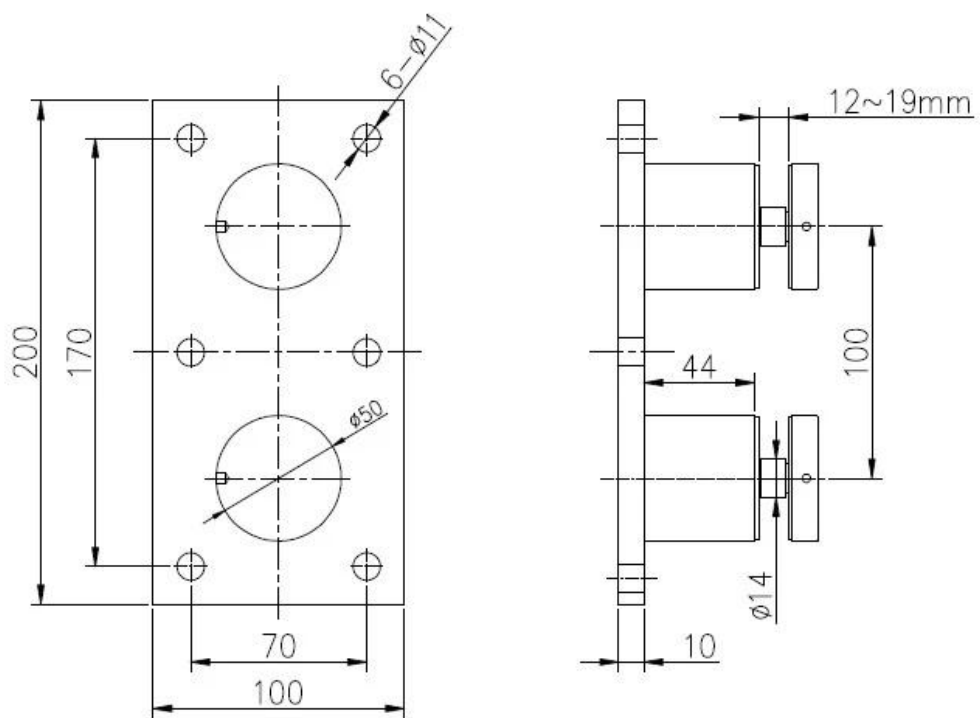
KEBIL 科比奥®







Dibujo técnico:



OTROS TIPOS DE VENTANAS DE VIDRIO DISPONIBLES:

Dia 50mm Base de cristal en Acabado satinado:



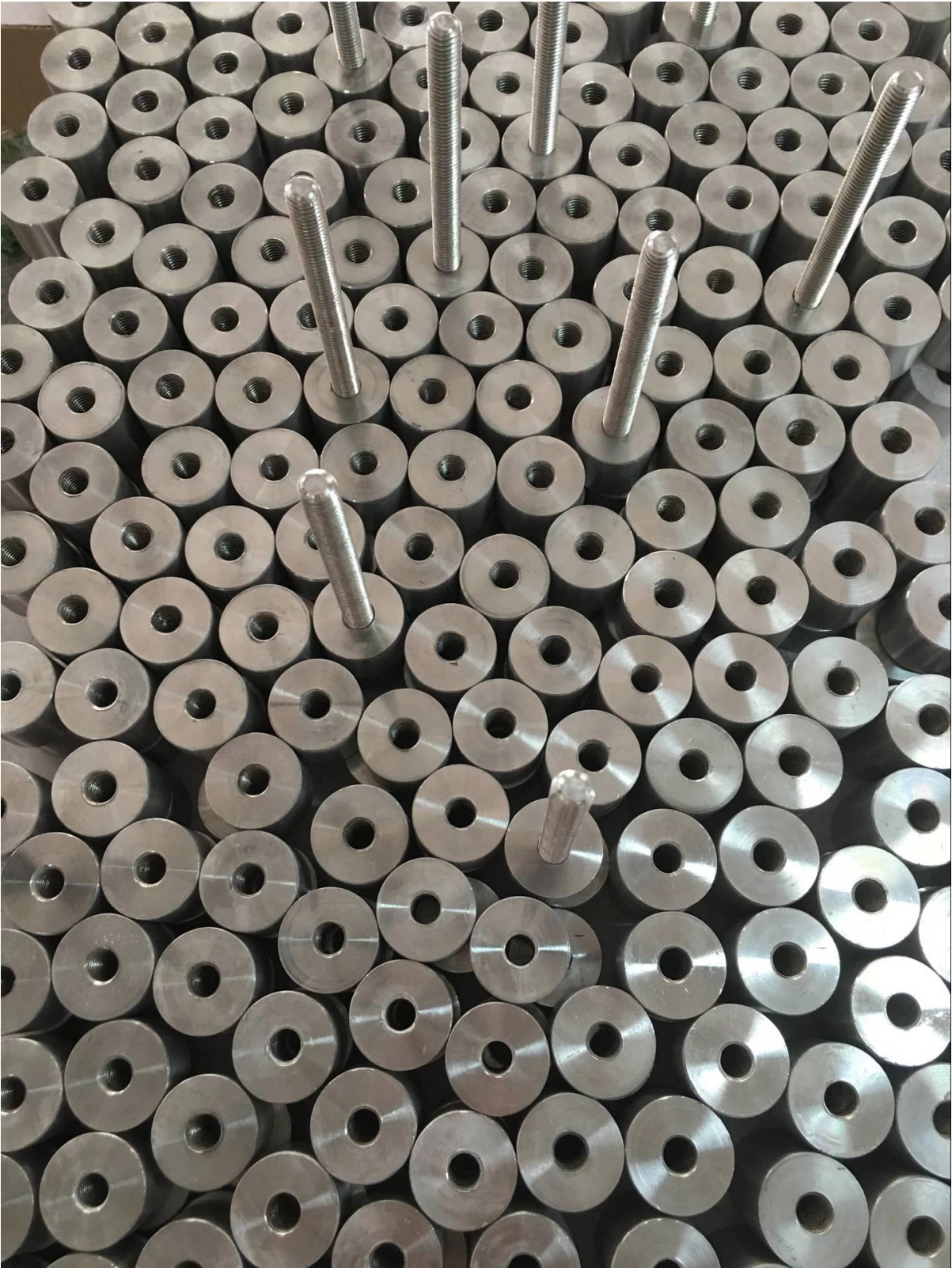
Dia 50mm Base de cristal en **Acabado espejo**:



Con perno de concreto y & tornillo de madera:

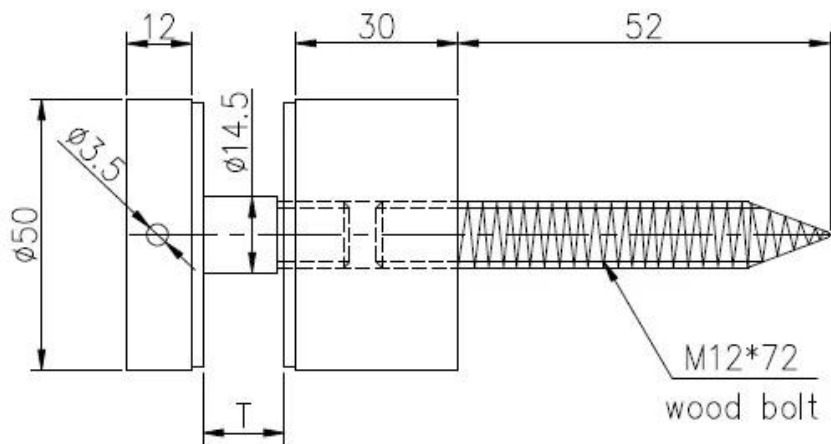
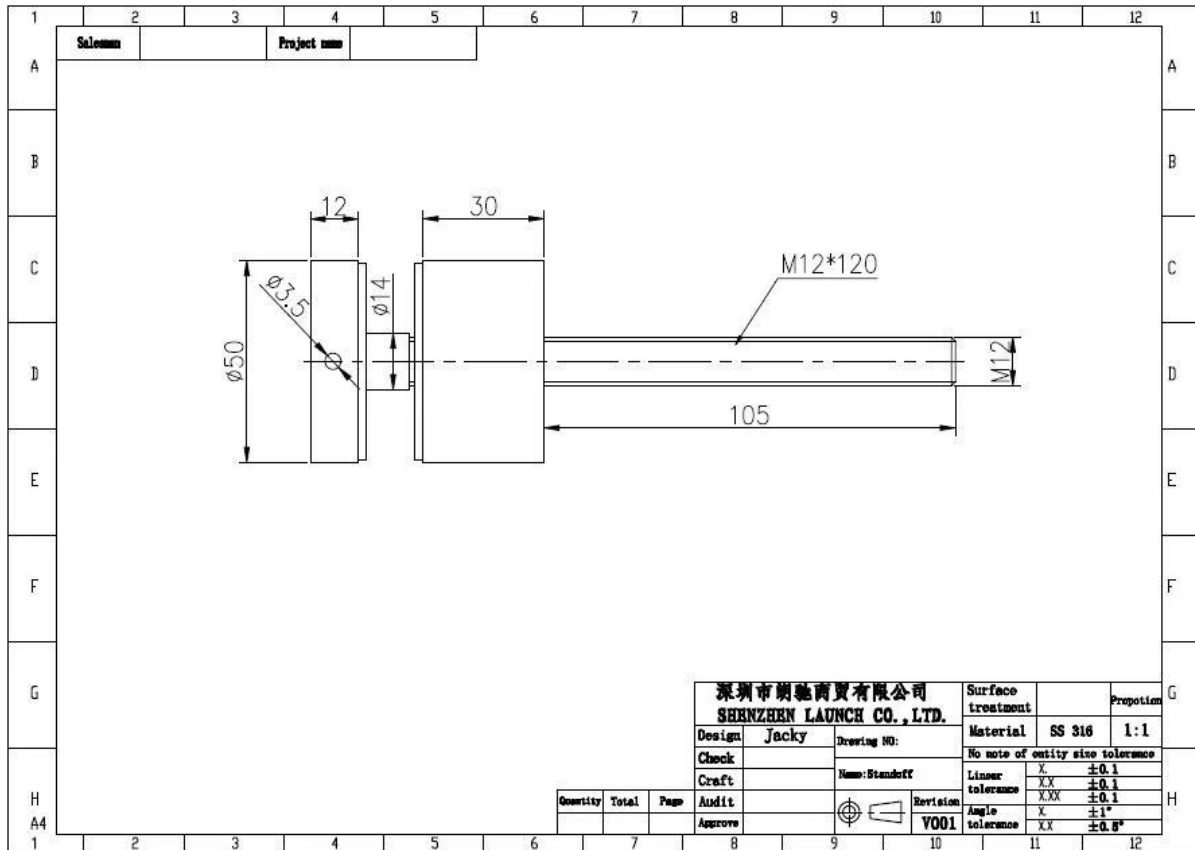


Productos reales:





Dibujo técnico:



Quantity			Total	Page	深圳市朗馳商貿有限公司 SHENZHEN LAUNCH CO., LTD.		Surface treatment	Propotion
Design			Jacky	Drawing NO: SF-68		Material		1:1
Check				Name: Standoff		No note of entity size tolerance		
Craft				Revision		Linear tolerance	X	±0.1
Audit				V001		XX	±0.1	
Approve						XXX	±0.1	
						X	±1°	
						XX	±0.5°	

Fotos del proyecto:

Aislamiento de vidrio para interiores y exteriores, diseño de barandilla de vidrio sin marco, soporte de acero inoxidable para separadores, separador de vidrio





[Separador de vidrio de acero inoxidable para balastrada de vidrio sin marco](#)



separador de acero inoxidable, soporte para paneles de vidrio, diseño de barandilla



Información de la compañía:

Shenzhen Launch Co., Ltd was established in 2004, located at Nanshan District, Shenzhen, and one hour by car from Hongkong International Airport. Our main product is high-grade building materials includes stainless steel balustrade post, staircase handrail, balcony guardrail, swimming pool fence and other high-grade building materials. All the products are designed strictly according to the high-end market requirements. We have our own factory in Tangxia Town, Dongguan, has a variety of precision equipment more than 50 sets: CNC lathe, milling machine, punching machine, pipe cutter, argon welder, drilling machine, polisher, etc. which can provide customers with complete product processing services. With the German SPECTRO Spectrometer, we insist on testing every batch of materials to ensure that the material is highly qualified. We also have hardness gauge, secondary element and other test equipment to ensure the products meets customers' requirements.

ABOUT US



OUR ADVANTAGE

Please do not hesitate to contact us if you have any requirement regarding our production lines, you can expect a timely reply with professional solutions!



Own factory, shortest lead time.



Can help customers design product drawings based on customer ideas and design engineering installation drawing according to the customer site sketch.



Sample order, trial order acceptable.



Provide material test report to ensure that the material is qualified.



13 years of industry experience, we can help customers recommend the best solution to help customers save cost.

OUR FACTORY

More than 13 years experience in hardware industry design and processing, we can provide customized services from design to the sample and small batch trial production.



OUR CERTIFICATE

With premium quality, competitive price and superior service, we won a lot of customers' favor.
Our products are popular in North America, European and Australia.



PRODUCTION PROCESS



Casting



CNC lathe



CNC Milling



Stamping



Drilling & Tapping

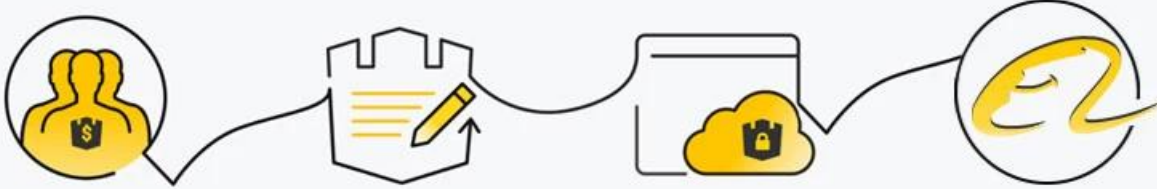


Polishing



PAYMENT & TRANSPORTATION

Welcome Alibaba Trade Assurance Order!



1 Start an order

2 Negotiate terms with our sales service & confirm order

3 Make payment

4 Alibaba provide full assurance



PayPal



VISA

HSBC



XPL FedEx Express

EMS

DHL

TNT



FAQ

1. What materials do you have?

SS304, SS316, SS316L, Duplex 2205, etc.

2. Can you send me your whole price list?

Sorry, as the price related to many factors, such as quantity, material type, surface treatment and so on, we will offer you exact quote after we confirm your detailed requirements.

3. Do you offer OEM & ODM service?

Yes, we can make the products according to your technical drawings or samples, we are professional in investment casting, die casting, stamping, CNC machining, etc.

4. What kind of payment you accept?

T/T, L/C, PayPal, West Union, etc.

5. What is your payment term?

TT(30/70) or LC at sight.

6. What is your delivery time?

Within 5 workdays for hot-sale items, 15-25 workdays for batch orders.

7. Do you offer after-sales service?

Of course, any question after you purchase our products, we will get back to you within 24 hours.

¡Contáctenos ahora para más información!
Correo electrónico: sales03@launch-china.cn
Mob: +8615907334556

KEBIL 科比奥® SHENZHEN LAUNCH CO.LTD
LAUNCH INTERNATIONAL LIMITED

Eve Chow

Sales representative

M : +86 159 0733 4556

T : +86 755 8603 7559

E : sales03@launch-china.cn

A : B5-5003, Yilida Bldg, Nanshan District, Shenzhen

