

## WHY CHOOSE US



### 15 YEARS EXPERIENCE

We have been manufacturing railing hardware since 2004.



### ONE STOP SERVICE

We provide integrated railing solutions. We manufacture. We deliver.



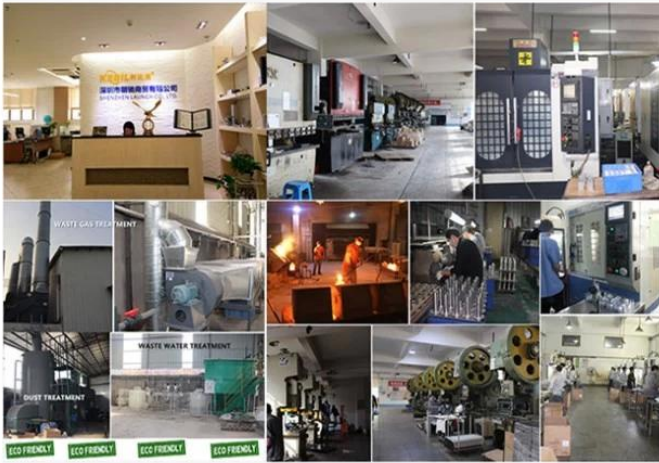
### PROFESSIONAL R&D TEAM

We have engineering experts for developing new products.



### TOP QUALITY & GOOD PRICE

We are strict on quality control as well as cost evaluation.



## ABOUT US

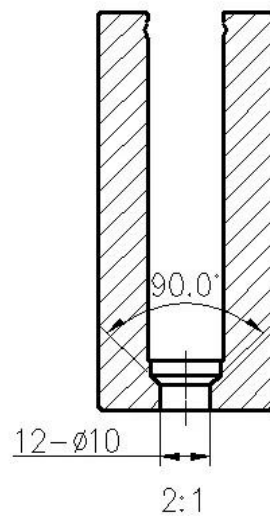
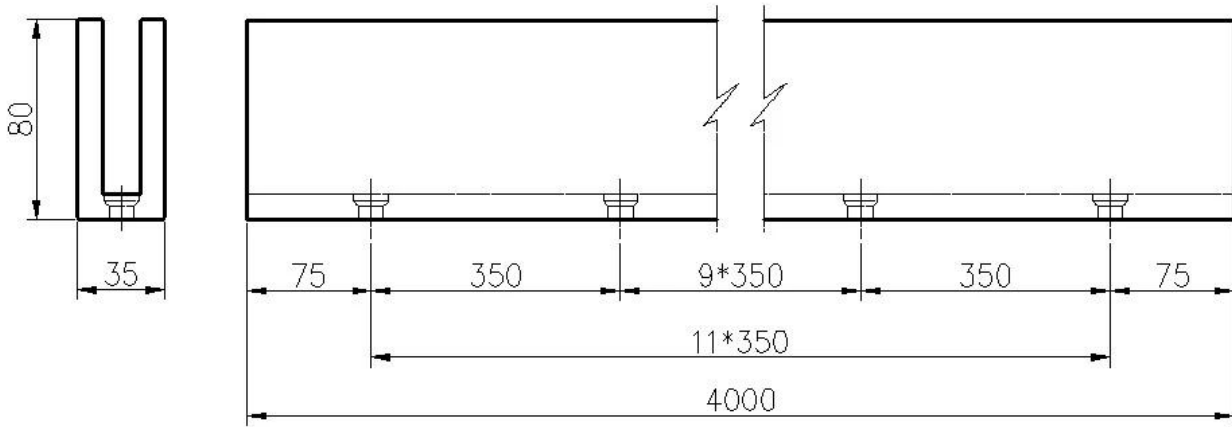
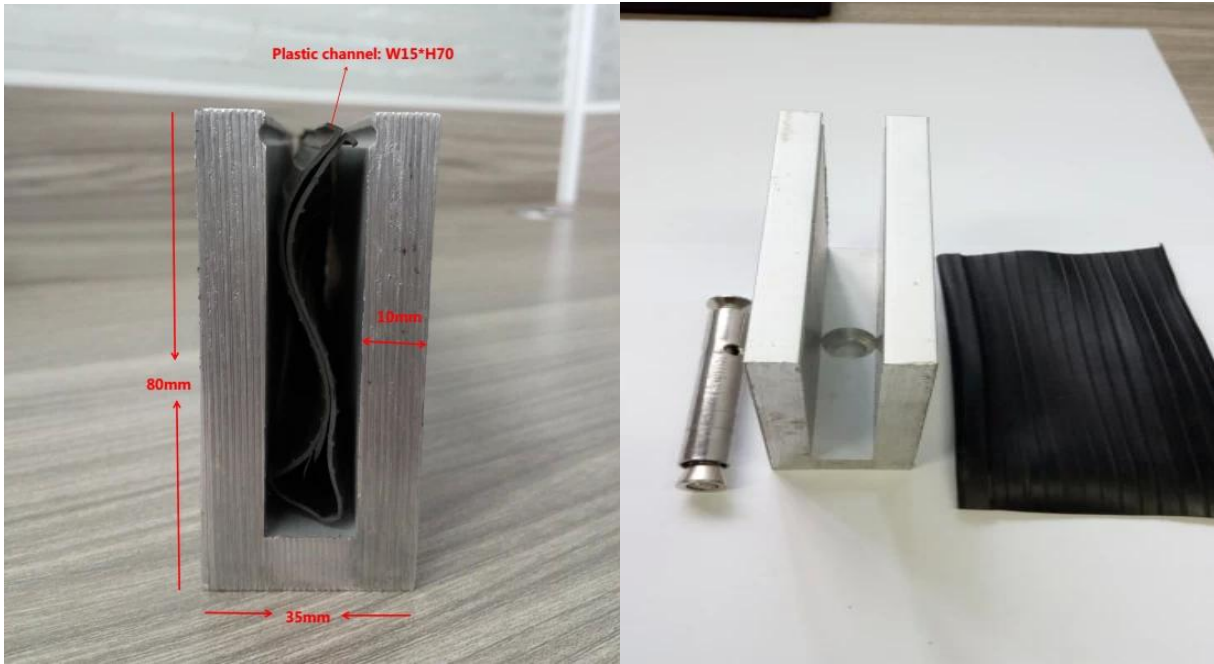
Shenzhen Launch Co., Ltd was established in 2004, located at Nanshan District, Shenzhen, and one hour by car from Hongkong International Airport. Our main products are high-grade building materials including stainless steel balustrade post, staircase handrail, balcony guardrail, swimming pool fence and other high-grade building materials. All the products are designed strictly according to the high-end market requirements. We have our own factory in Tangxia Town, Dongguan, with more than 50 sets of various precision equipments, such as CNC lathe, milling machine, punching machine, pipe cutter, argon welder, drilling machine, polisher, etc. which can provide customers with complete product processing services.

## China Fabricación de barandilla de cristal 6063 Canales de aluminio U

### Aluminio U canal barandilla perfiles especificaciones

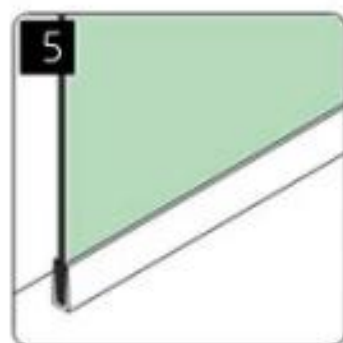
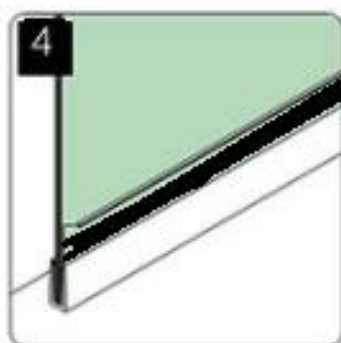
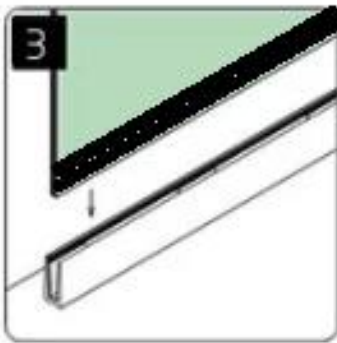
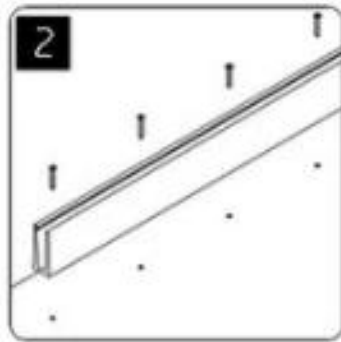
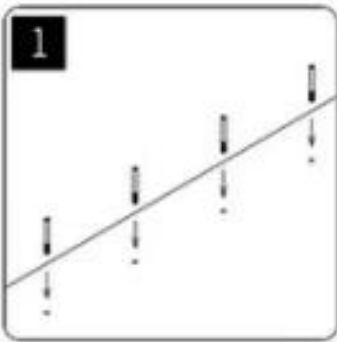
- Material: Aluminio 6063 T5
- Acabado: Anodización
- Longitud: 4m por longitud o longitud de la personalidad
- Para el espesor de vidrio: vidrio templado de 12-21.52 mm.
- Se vende como un kit: incluyendo pernos, canal de goma y accesorios.

### Canal de aluminio U para vidrio de 12 mm.



Instalación de canales de aluminio U

# installation



Otros modelos Aluminio U Canal Usted puede interesar

**LCH-C01**



12 mm to 13.14 mm tempered glass

1 m aluminium groove contains the following accessories (excluding glass)



**LCH-C02**



12 mm to 13.14 mm tempered glass

1 m aluminium groove contains the following accessories (excluding glass)



### LCH-D01



12 mm to 13.14 mm tempered glass

1 m aluminium groove contains the following accessories (excluding glass)



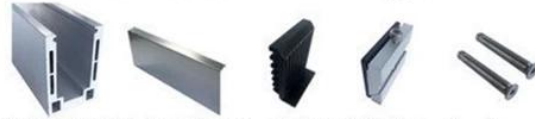
Aluminum trough 1 m    Waterproof tape 2 meters    Aluminum plastic fittings 3 sets    Expansion screws 3 pieces

### LCH-D02



12 mm to 13.14 mm tempered glass

1 m aluminium groove contains the following accessories (excluding glass)



Aluminum trough 1 m    Decorative cover 2 meters    Aluminum plastic fittings 3 sets    Expansion screws 3 pieces

### LCH-B01



16 mm to 17.52 mm tempered glass

1 m aluminium groove contains the following accessories (excluding glass)



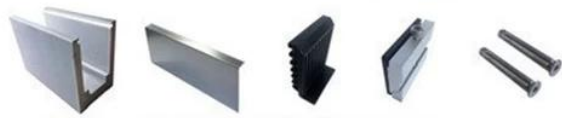
Aluminum trough 1 m    Waterproof tape 2 meters    Aluminum plastic fittings 3 sets    Expansion screws 3 pieces

### LCH-B02



16 mm to 17.52 mm tempered glass

1 m aluminium groove contains the following accessories (excluding glass)



Aluminum trough 1 m    Decorative cover 2 meters    Aluminum plastic fittings 3 sets    Expansion screws 3 pieces

LCH-A01



20 mm to 21.52 mm tempered glass

1 m aluminium groove contains the following accessories (excluding glass)



Aluminum trough 1 m



Waterproof tape 2 meters



Aluminum plastic fittings 3 sets



Expansion screws 3 pieces

LCH-A02



20 mm to 21.52 mm tempered glass

1 m aluminium groove contains the following accessories (excluding glass)



Aluminum trough 1 m



Decorative cover 2 meters

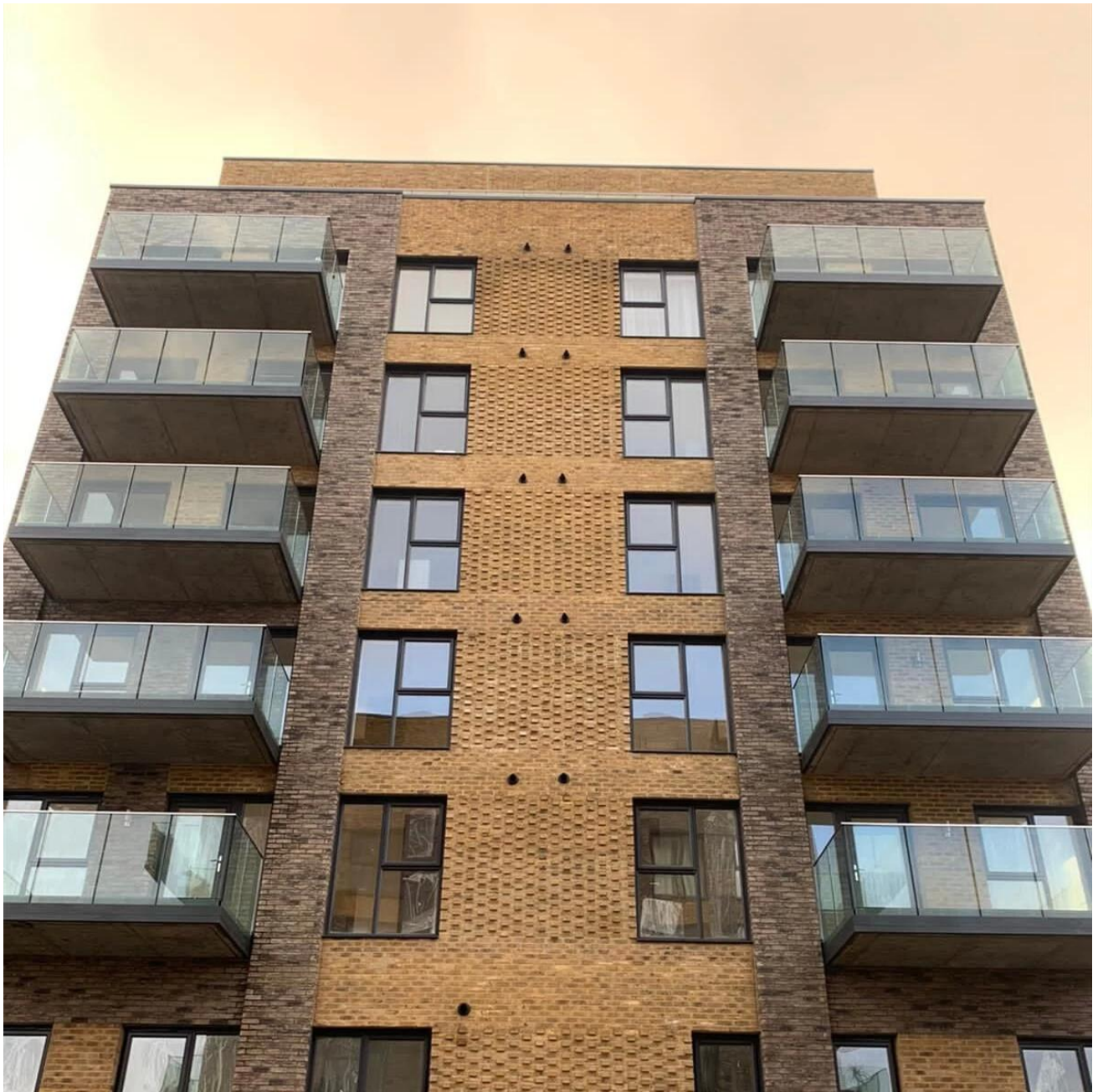


Aluminum plastic fittings 3 sets



Expansion screws 3 pieces

Alumnum U Channel Feans Photos Fotos





## Paquete de canales de aluminio U

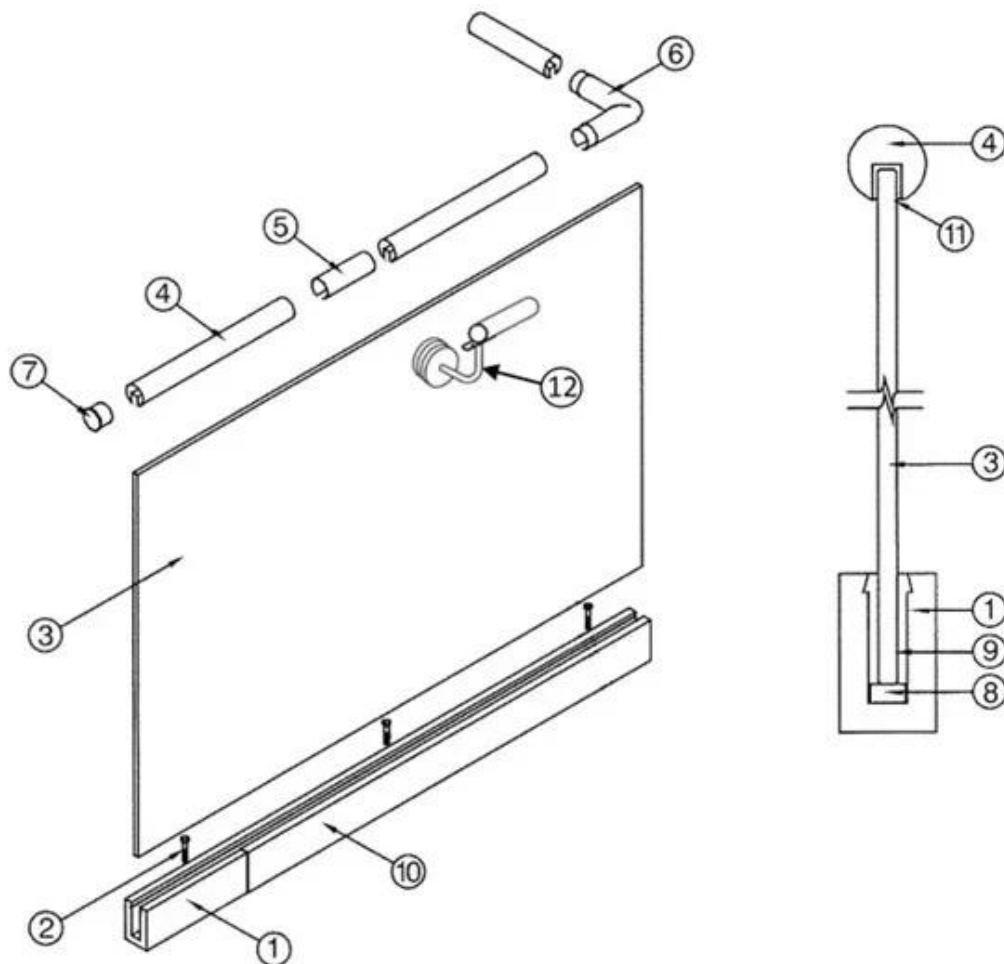






Relacionado productos- CANQUILLO DE CANAL DE CANAL DE ACERO INOXIDABLE CAMBIO DE PAZONAL





- |  |  |
|--|--|
| 1. Aluminum Railing Base   | 7. End Cap   |
| 2. Stainless Cap Screw   | 8. Setting Block                                     |
| 3. ½" Tempered Float Glass   | 9. Expansive Cement                                  |
| 4. Top Rail  | 10. Cladding   |
| 5. Splice  | 11. Protective Insert                                |
| 6. Corner fitting<br>(Horizontal Shown Vertical<br>Also Available) | 12. Handrail Brackets and Fittings<br>Also Available |

## Contacto

Gracias por su visita ! Cualquier pregunta o consulta, por favor deje un mensaje. Te responderá dentro de las 24 horas.

Cualquier consulta urgente, por favor contáctenos a continuación:

-Contacto: Wendy

-Correo electrónico: [sales04@launch-china.cn](mailto:sales04@launch-china.cn)

-Oficial: (86-755) 86037559

-Mob / Whats App: 0086-15989339827

-Skype: launch\_04