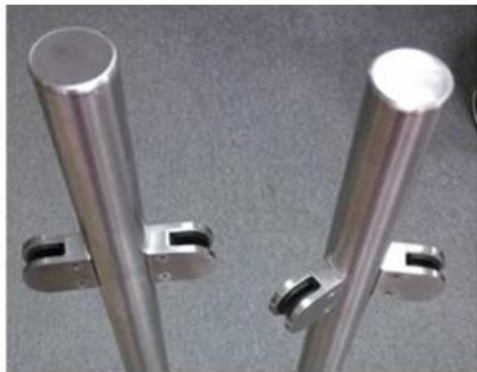


China fabrica diseños de barandilla de cristal de acero inoxidable



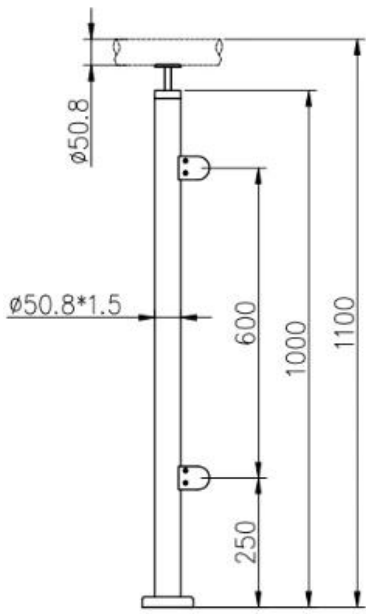
1	Material y acabado	Acero inoxidable 304/316; Acabado de satén o espejo
2.	Altura	1000mm / tamaños personalizados
3	Post de Stucheon	D50.8 * 1.5 (mm) tubo; Soporte de ferroviario superior ajustable de 4 vías; Abrazadera cuadrada o de vidrio redondo.
4	Riel superior.	D50.8 * 1.5 (mm) Tubo de cable
5	Barandilla de seguridad	Panel de vidrio templado transparente de 10 mm / 12 mm
6	U ver Posición	Balaustre, balaustrada, barandilla, valla, pasamanos, barandillas; Balcón, Puente, Puente, Jardín, Patio, Piscina, Pórtico, Escalera, Terraza
7	Instalación	Top / lateral montado
8	Paquete	EPE + Caja interna + cartón

ProductoEspectáculo

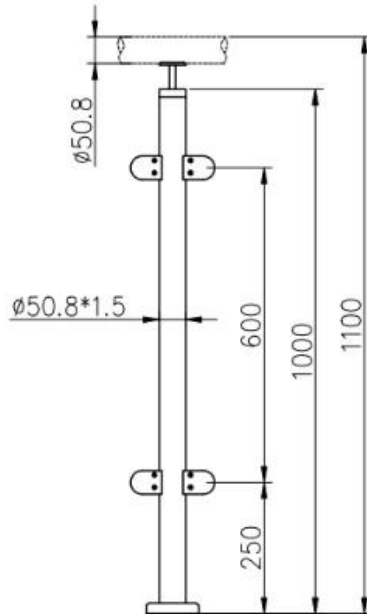


TécnicoDibujo

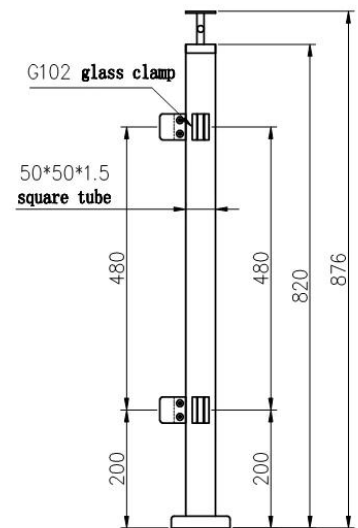
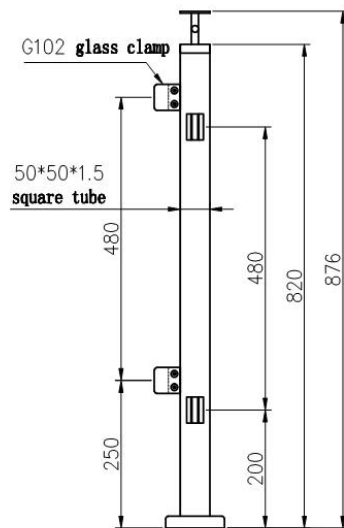
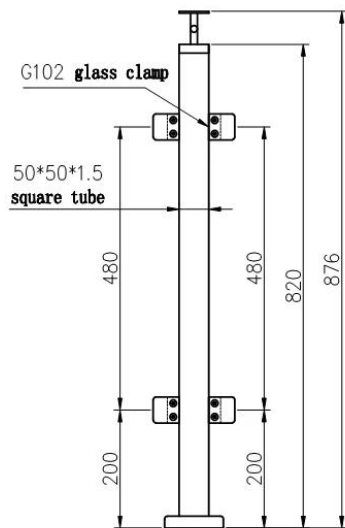
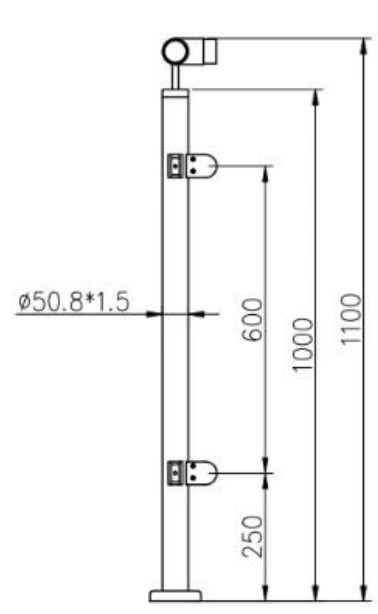
LCH-106



LCH-107



LCH-108



Instalación:

Glass Clamp Installation Guide



Mark and centre punch desired location of blind rivet nut location.



Drill centre punched hole in tube to suit blind rivet nut.



Insert blind rivet nut into tube and fasten with blind rivet tool.



Check installed blind rivet nut is secure and ready for install.



Align half glass clamp with blind rivet nut inline position. Screw in button head cap screw into thread and tighten with hex key.



Select appropriate rubber gasket to suit glass panel thickness. Install rubber gasket into both sides of glass clamp. (Note rubber gasket marked with sizes).



If heavier clamping load is required please use supplied glass clamp pin, during the install process. Note glass panels will require drilling in order to fit glass clamp pins.



Fit glass panel into position, install second half of glass clamp secure with provided hex screws.

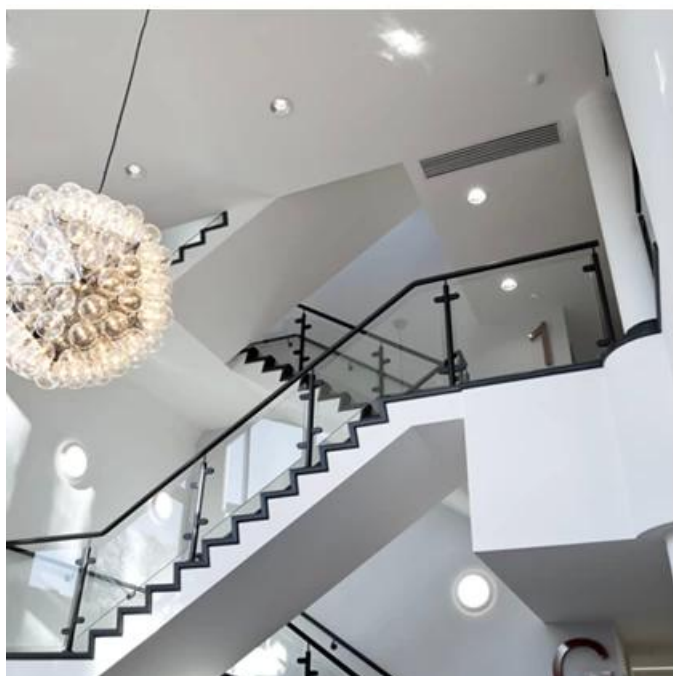


Tighten glass clamps with hex key, and check glass panel are secure with no movement.

Show de proyecto:

China fabrica diseños de barandilla de cristal de acero inoxidable





Bienvenido acontáctame para más detalles:
WENDY: sales04@launch-china.cn.
HP / WHATSAPP / WECHAT: +8615989339827