

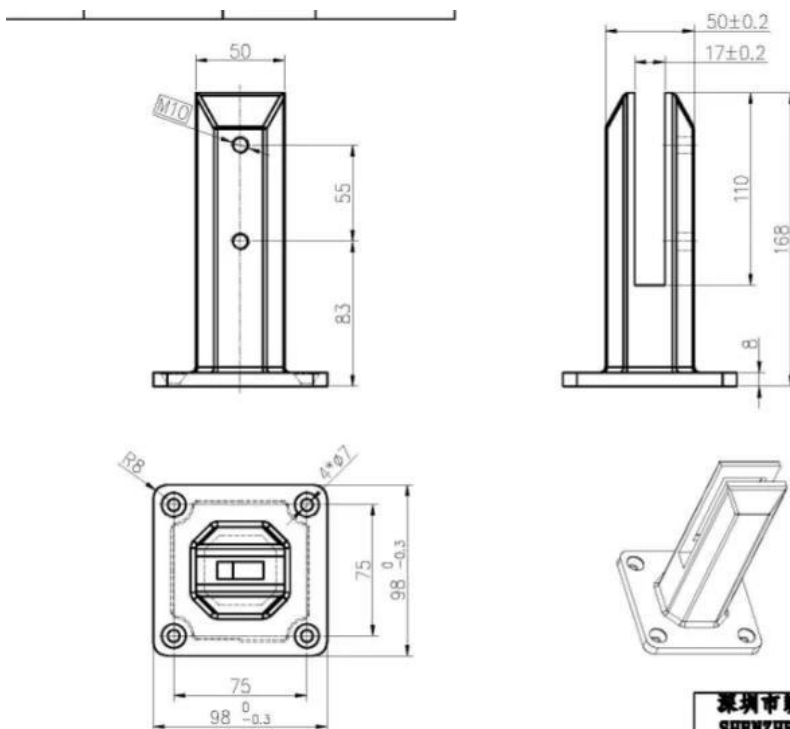
Abrazadera de espita de vidrio para barandilla de escalera de acero inoxidable dúplex 2205 para 10-12 mm sin marcos o barandillas.

#Características de abrazadera de espita de vidrio

N ° de Modelo.	SBM
Artículo	Abrazadera para grifo de vidrio
Material	Dúplex 2205
Terminar	satinado, espejo, negro
Altura	168 mm
tamaño del cuerpo de la espita	50 * 50 mm
Peso	1,43 kg por pc
embalaje	1 unidad en una caja, 12 unidades en una caja de cartón
Espesor de vidrio	10-14 mm
MOQ	2 piezas

#Dibujos de abrazadera de espita de vidrio

DIBUJO PARA SBM-



深圳市朗驰商贸有限公司 SHENZHEN LAUNCH CO., LTD.		表面处理		比例
设计	裴佳辉	材料	316	1:2.5
校对	图号: SBM	名称: Spigot	未注实体尺寸公差	
工艺			X	±0.1
审核			线性公差	XX
批准		版次	XX	±0.1
		角度公差	X	±1°
			XX	±0.5°

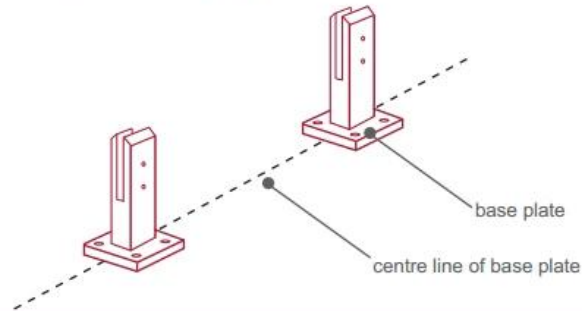
#Instalación guía de abrazadera de espita de vidrio



fixing method: base plate spigots

Mark out the centre line of proposed glass fence with a chalk line. Determine clamp location based on a sheet size (recommendation on pages 1 & 2). Use base plate as a template to mark out the hole positions and drill holes to suit.

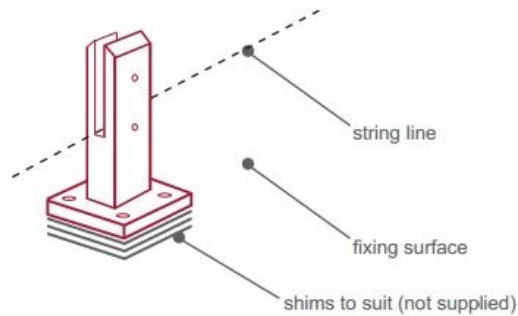
Note: Do not exceed 100mm gaps between glass panels. Optimum gap is 40mm to 60mm



Now the base plated spigots can be fitted to the floor and plumbed via shims (not supplied) under the base plates. Be sure to tighten firmly as the smallest of movement at the base plate will result in noticeable movement at the bottom of the glass fence.

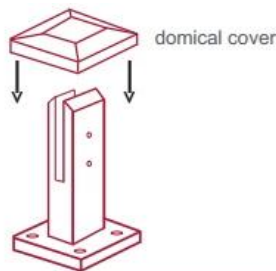
Tip: By setting the two outer spigots of your total span, a string line can be run in the 'throat' of the spigots, giving correct height for all spigots in between

Note: Do not exceed 100mm gap from the fixing surface to the bottom of the glass



When all spigots are installed, slip domical cover the top of the spigot to hide fixings. It will be necessary to turn the adjustment screws on the spigot face all the way in to allow cover to pass over

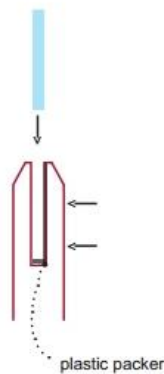
Note: Same installation method applies to round base plate spigot



The glass is then installed to the spigots. Place plastic packers between glass & spigot, at no stage should glass touch the metal

How adjustability works:

1. Place glass in spigot
2. Fix/ tension glass both sides with allen key



#ProducciónYembalajedeabrazadera de espita de vidrio





#Proyectorgalariasdeabrazadera de espita de vidrio





SHENZHEN LAUNCH CO., LTD





SHENZHEN LAUNCH CO., LTD