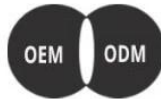


WHY CHOOSE US



15 YEARS EXPERIENCE

We have been manufacturing railing hardware since 2004.



ONE STOP SERVICE

We provide integrated railing solutions. We manufacture. We deliver.



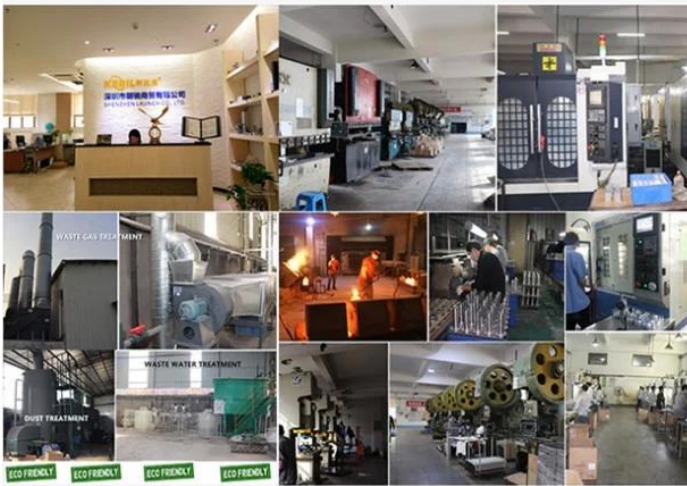
PROFESSIONAL R&D TEAM

We have engineering experts for developing new products.



TOP QUALITY & GOOD PRICE

We are strict on quality control as well as cost evaluation.



ABOUT US

Shenzhen Launch Co., Ltd was established in 2004, located at Nanshan District, Shenzhen, and one hour by car from Hongkong International Airport. Our main products are high-grade building materials including stainless steel balustrade post, staircase handrail, balcony guardrail, swimming pool fence and other high-grade building materials. All the products are designed strictly according to the high-end market requirements. We have our own factory in Tangxia Town, Dongguan, with more than 50 sets of various precision equipments, such as CNC lathe, milling machine, punching machine, pipe cutter, argon welder, drilling machine, polisher, etc. which can provide customers with complete product processing services.

Barandilla de cristal sin marco de 90 grados de cristal de cristal

Principal Características

- Hecho de acero inoxidable de alto grado 316.
- Acabado: satinado, cepillado, espejo pulido, recubrimiento en polvo negro o galvolas negras.
- Trabajar con paneles de vidrio de 10-12 mm de espesor.
- Tipo de fricción, no se necesitan agujeros en vidrio.

KEBIL 科比奥®

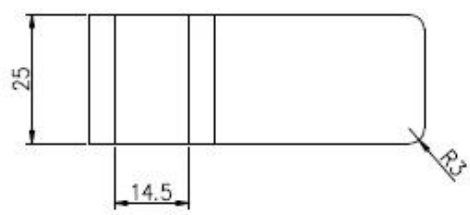
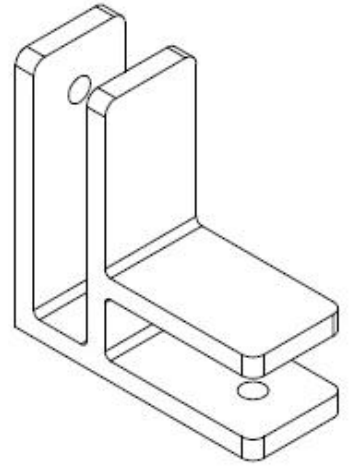
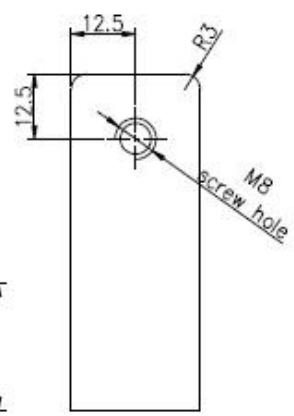
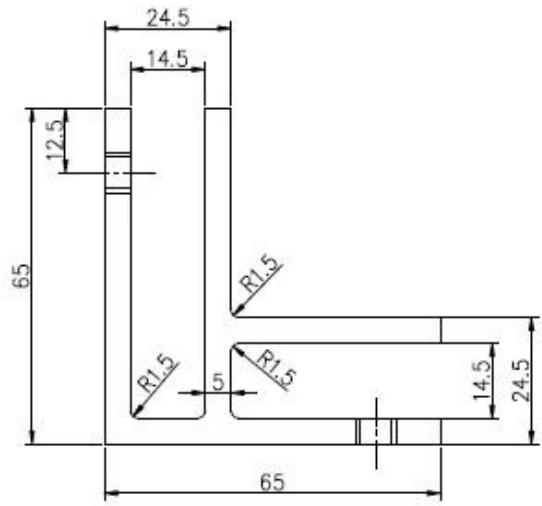
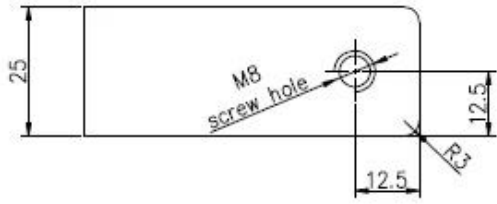




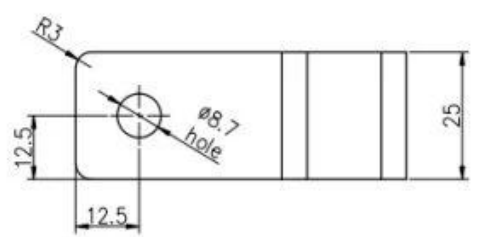
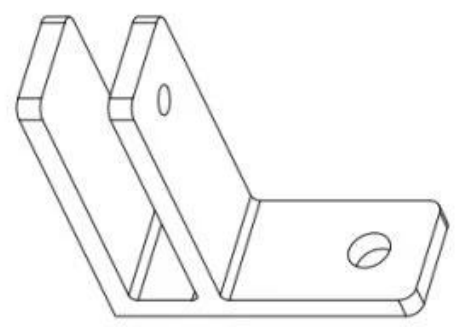
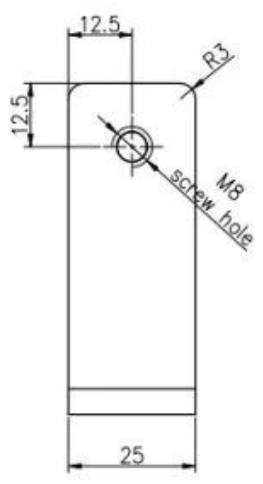
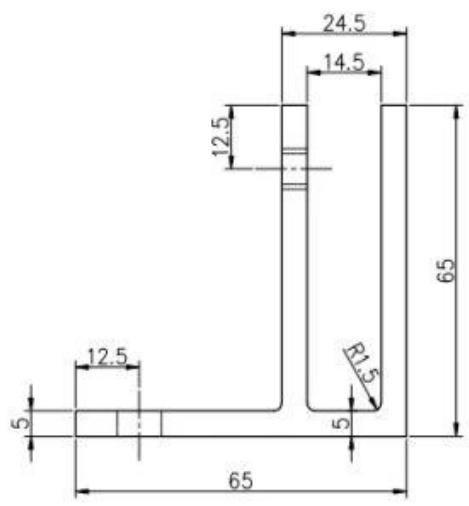




TécnicoDibujo



Glass TO GLASS HOLDER 90°



Glass TO WALL HOLDER 90°

Proyctofotografías







WelcomE Para contactarnos para más información:

Wendy

Correo electrónico: sales04@launch-china.cn

HP / WHATSAPP: +8615989339827