

Base de aluminio u canal con riel superior de acero inoxidable redondo







Railo de barandilla sin marco de aluminio u canal de hardware de barandilla de cristal



1m aluminum channel contains the following accessories



Waterproof tape
2 meters



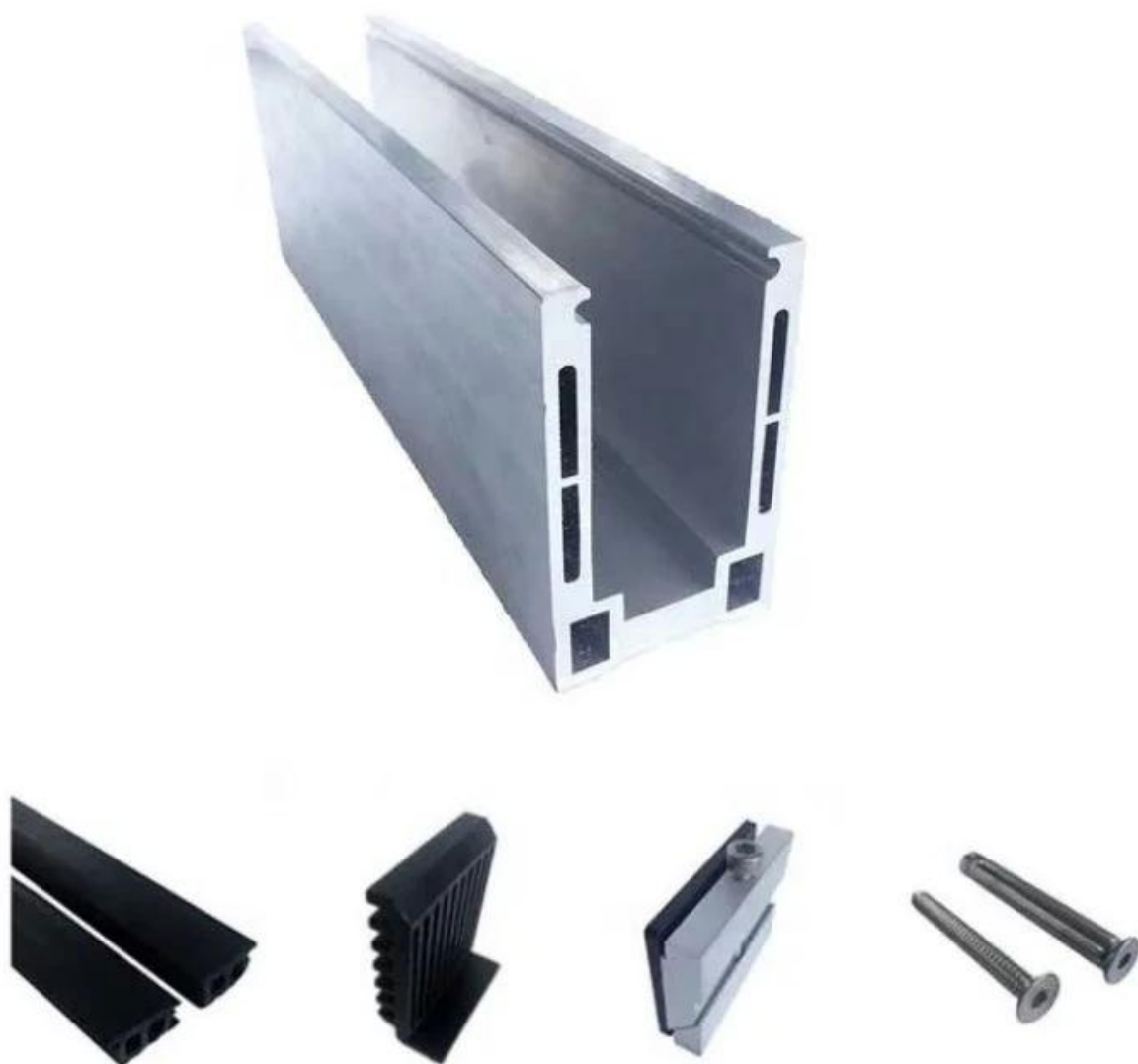
Aluminum and plastic fittings
3 sets



Expansion bolts
3 pieces

Especificaciones de la barandilla de cristal de aluminio:

| Parte de la barandilla - sótano | MATERIAL | Dimensión (mm) | Superficie terminada | Grosor de vidrio adecuado (mm) |
|---------------------------------|---------------------------|----------------|------------------------------|--------------------------------|
| U canal / u perfil | Aluminio aLloy | 102 * 62 | Pintura anodizante / aerosol | 12-13.52 |
| | | 102 * 67 | | 8 + 1.52 + 8 |
| | | 102 * 70.5 | | 10 + 1.52 + 10 |
| Sistema interior y perno | 3 o 4 metros por longitud | | | |
| Revestimiento | Sus 304 / sus 316 | 102 | Cepillado / espejo | / |
| Caucho | El plastico | Varios | Negro | Todos |



Base de aluminio U perfil para barandilla de cristal Balustrada en color negro:



Disponibles Modelos:

LCH-A01 / A02: Sin / con revestimiento para usar con 20 mm a 21.52mm de vidrio

LCH-A01



20 mm to 21.52 mm tempered glass

1 m aluminium groove contains the following accessories (excluding glass)



Aluminum trough 1 m Waterproof tape 2 meters Aluminum plastic fittings 3 sets Expansion screws 3 pieces

LCH-A02



20 mm to 21.52 mm tempered glass

1 m aluminium groove contains the following accessories (excluding glass)



Aluminum trough 1 m Decorative cover 2 meters Aluminum plastic fittings 3 sets Expansion screws 3 pieces

LCH-B01 / B02: sin / con revestimiento para usar con 16 mm a 17.52mm de vidrio

LCH-B01



16 mm to 17.52 mm tempered glass

1 m aluminium groove contains the following accessories (excluding glass)



LCH-B02



16 mm to 17.52 mm tempered glass

1 m aluminium groove contains the following accessories (excluding glass)



LCH-C01 / C02: Sin / con revestimiento para usar con 12 mm a 13,14 mm de vidrio

LCH-C01



12 mm to 13.14 mm tempered glass

1 m aluminium groove contains the following accessories (excluding glass)



LCH-C02



12 mm to 13.14 mm tempered glass

1 m aluminium groove contains the following accessories (excluding glass)



LCH-D01 / D02: Sin / con revestimiento para usar con 12 mm a 13,14 mm de vidrio

LCH-D01



12 mm to 13.14 mm tempered glass

1 m aluminium groove contains the following accessories (excluding glass)



Aluminum trough 1 m



Waterproof tape 2 meters



Aluminum plastic fittings 3 sets



Expansion screws 3 pieces

LCH-D02



12 mm to 13.14 mm tempered glass

1 m aluminium groove contains the following accessories (excluding glass)



Aluminum trough 1 m



Decorative cover 2 meters

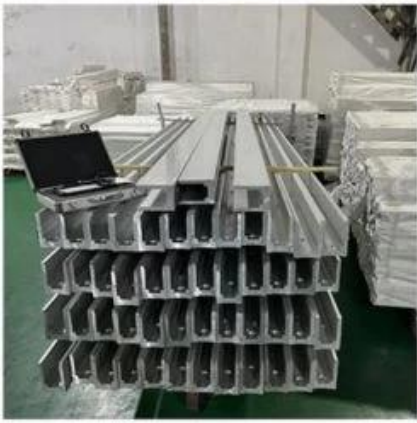


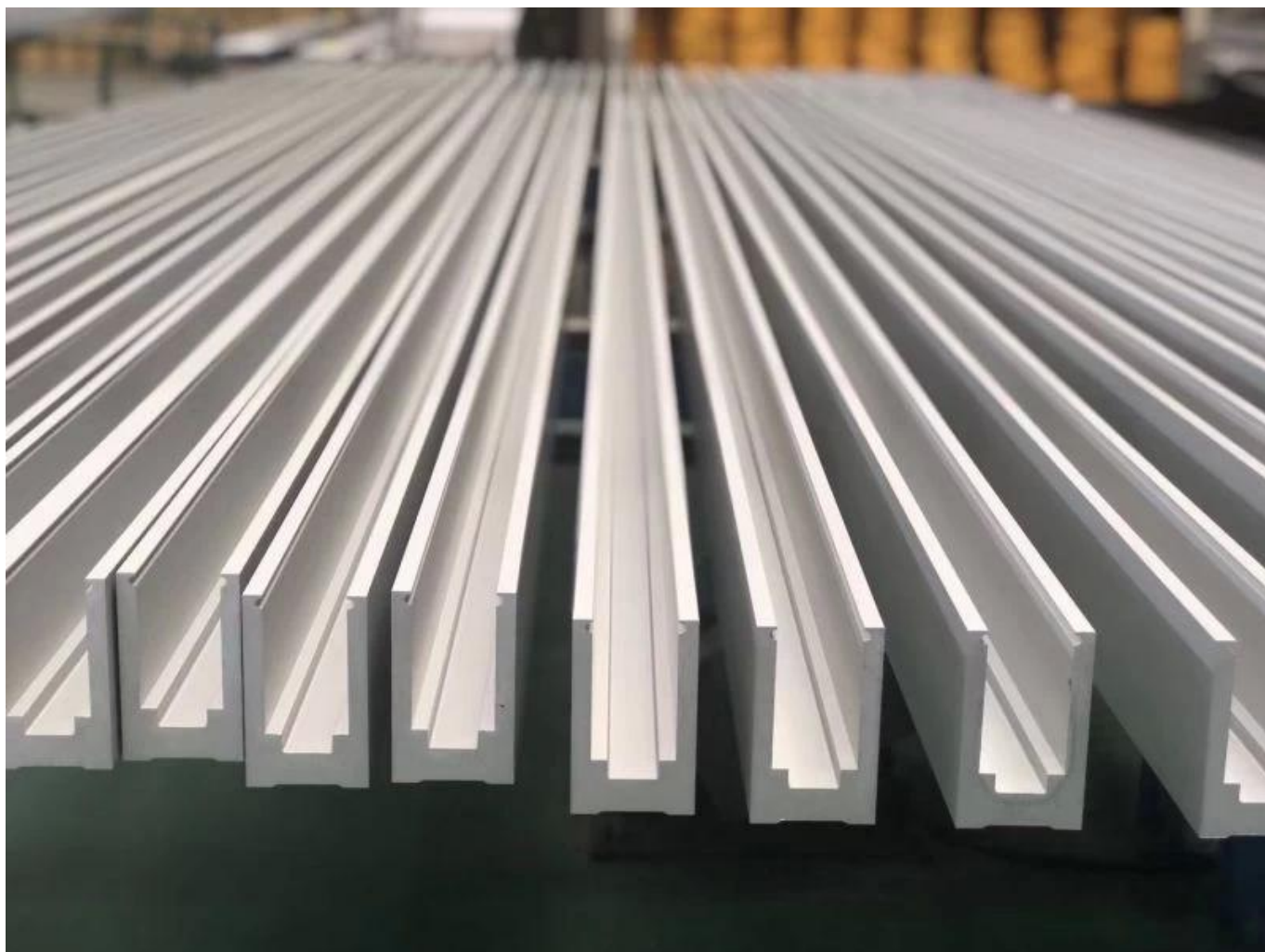
Aluminum plastic fittings 3 sets



Expansion screws 3 pieces

Producción en masa y embalaje.





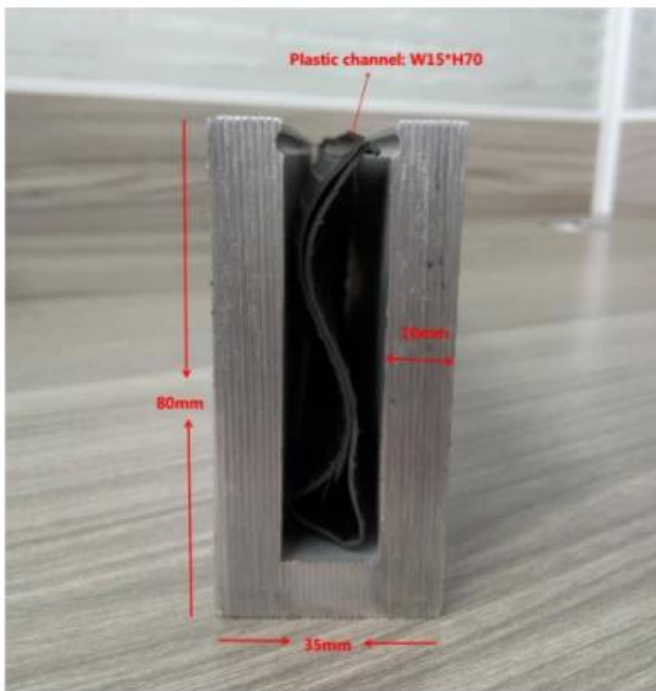






Más tipos de canal de aluminio U para verjas de vidrio:

Small profile: for glass thickness 10-12.76mm

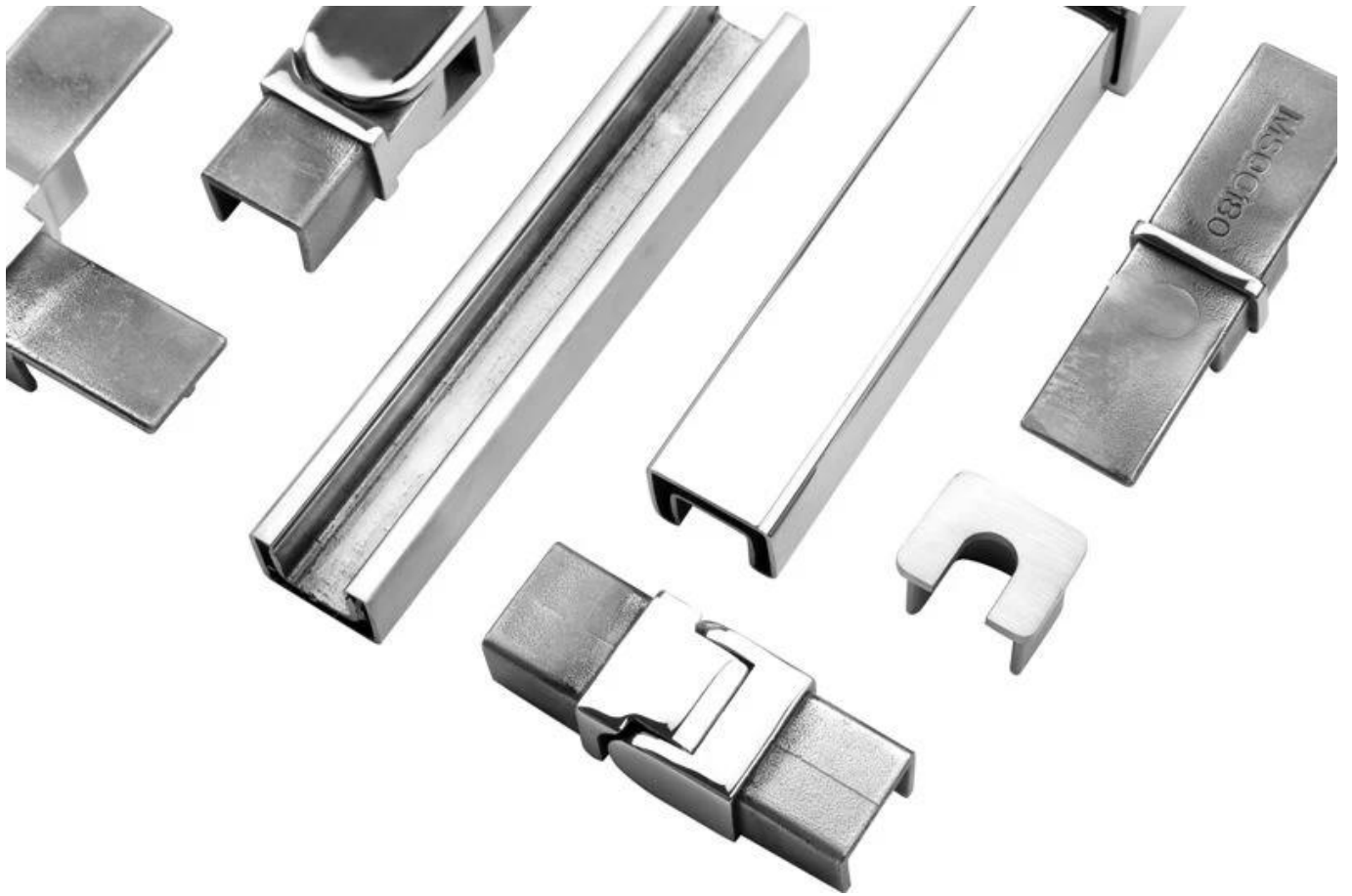


Big profile: for glass thickness 20-30mm



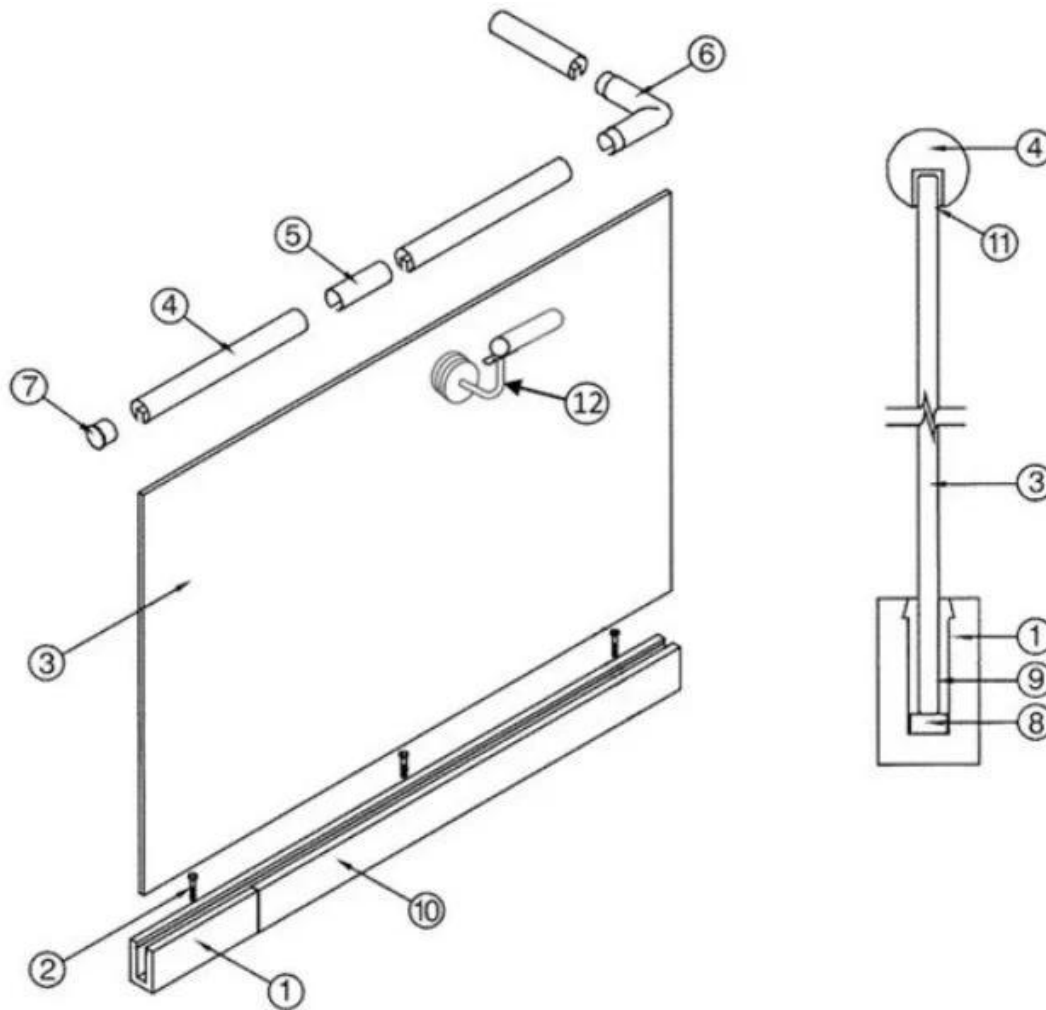
Handrail de tubo de tragamonedas:





KEBIL 科比奥®





- | | |
|--|--|
| 1. Aluminum Railing Base | 7. End Cap |
| 2. Stainless Cap Screw | 8. Setting Block |
| 3. ½" Tempered Float Glass | 9. Expansive Cement |
| 4. Top Rail | 10. Cladding |
| 5. Splice | 11. Protective Insert |
| 6. Corner fitting (Horizontal Shown Vertical Also Available) | 12. Handrail Brackets and Fittings Also Available |

Contáctenos ahora para más información:

Frank Fang

Correo electrónico: sales02@launch-china.cn

MOBILE / WHATSAPP: +8615906261741