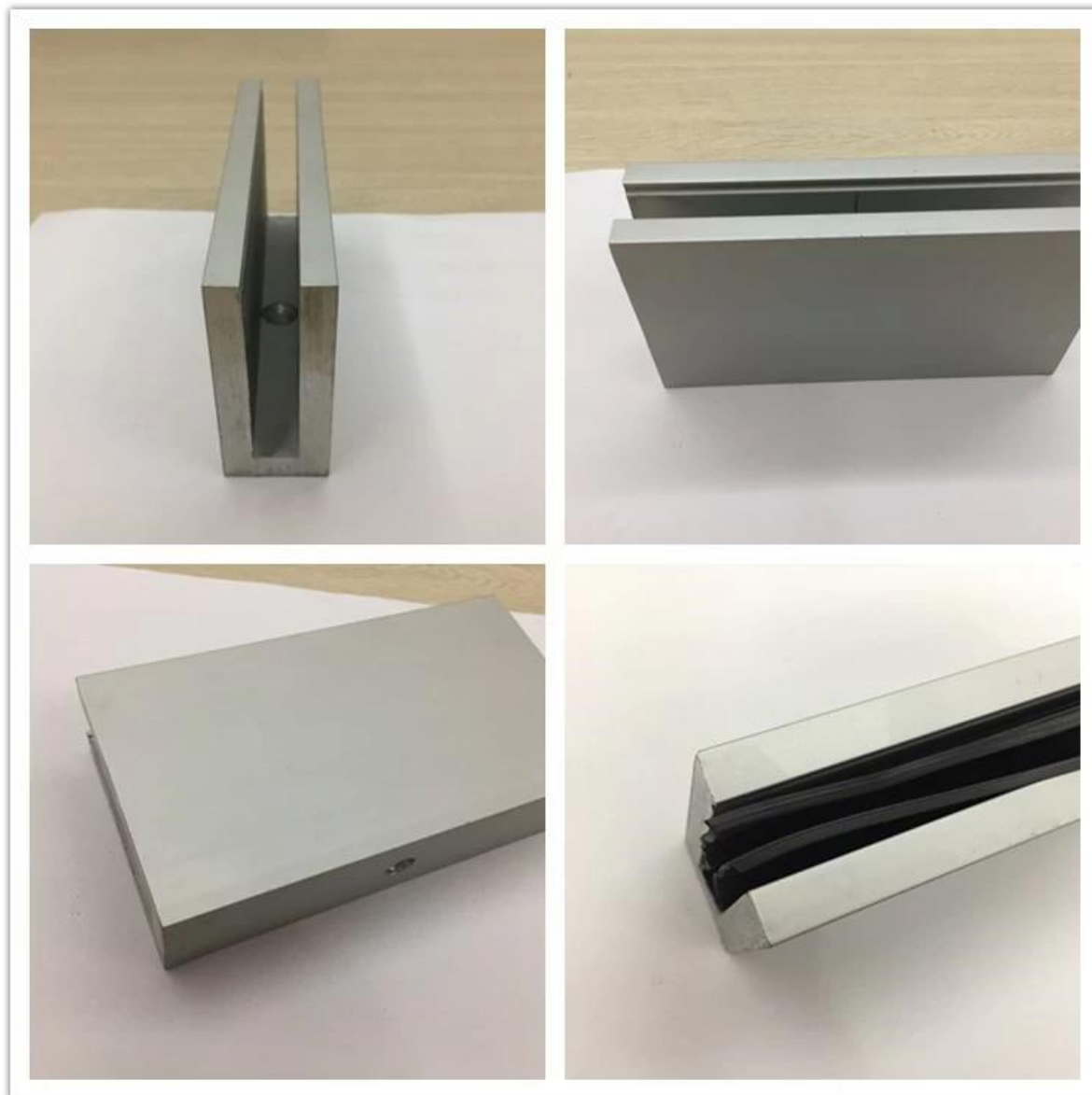


## Venta caliente de terraza interior balcón terraza de vidrio templado / canal U perfil de aluminio para barandilla de vidrio



### Especificaciones del perfil del canal U de aluminio:

Ít.	Barrera de cristal moderada canalización de aluminio del balcón de U, barandilla del vidrio del canal de U
Material	Aluminio 6063 T3
Terminar	Anodizar / recubrimiento en polvo
tamaño	35 * 80 mm / 63.5 * 104 mm, etc.
Grosor del vidrio	12 mm a 25 mm
Tipos de tubos ranurados	Redondo o cuadrado
Instalación	autorroscante / Pernos de explosión / Tornillos
Montaje	montado en el piso / montaje en la pared

Solicitud	balcón, terraza, porche, escalera, terraza, vestíbulo, centro comercial
Entrega	15-30 días

Para aplicaciones comerciales y residenciales

Para ambos al por mayor y al por menor (Somos fabricante)

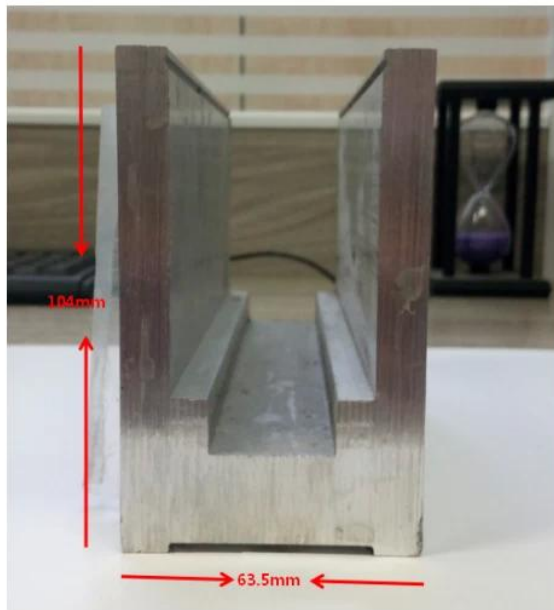
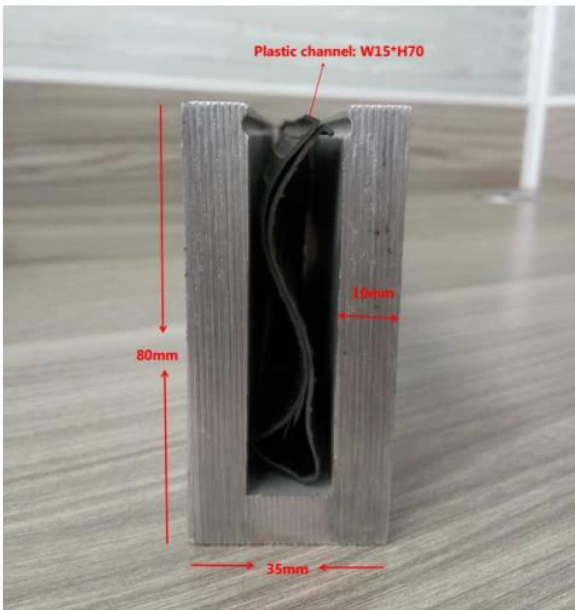




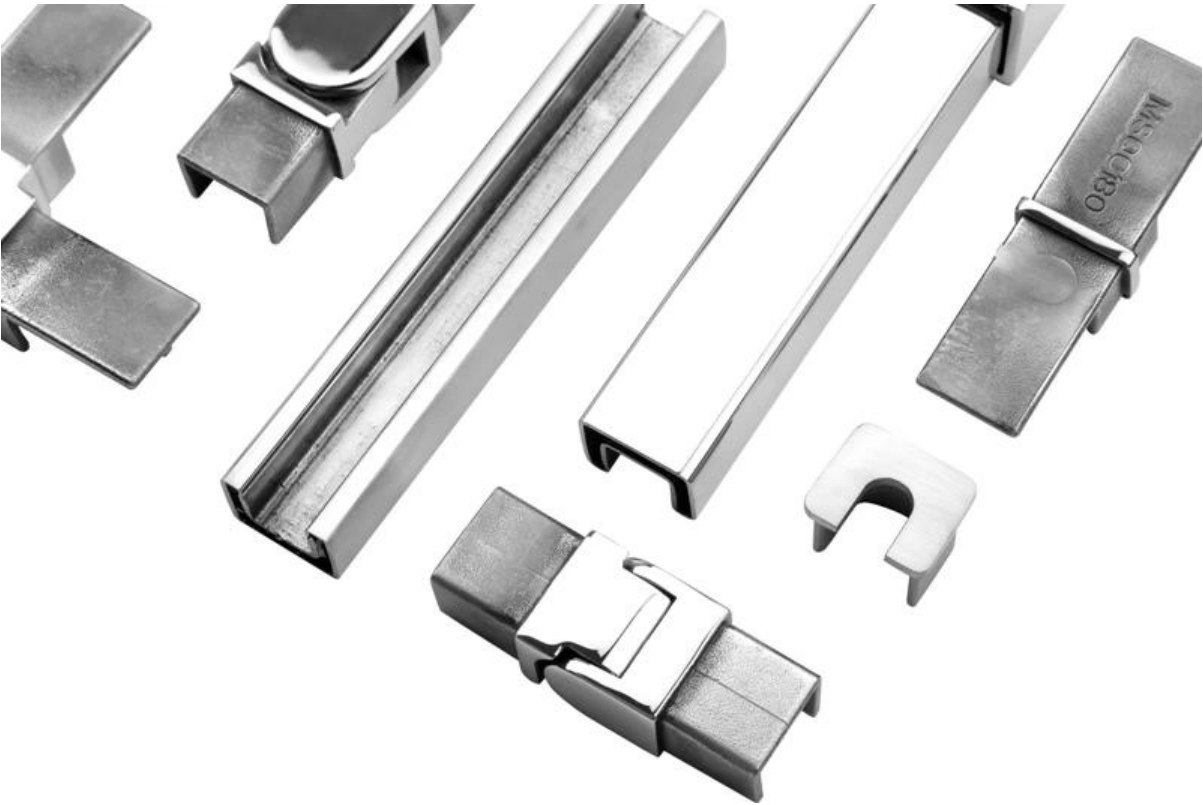
**PEQUEÑO & CANAL DE ALUMINIO U DE GRAN TIPO PARA BARANDA DE VIDRIO:**

Small profile: for glass thickness 10-12.76mm

Big profile: for glass thickness 20-30mm

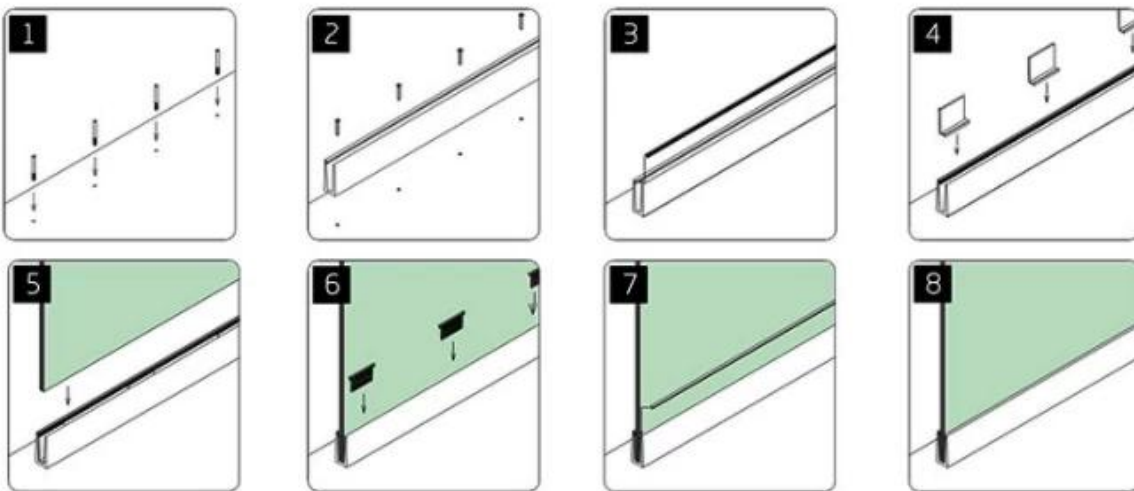


**SLOT TUBE HANDRAIL:**





installation



Shenzhen Launch Co., Ltd was established in 2004, located at Nanshan District, Shenzhen, and one hour by car from Hongkong International Airport. Our main product is high-grade building materials includes stainless steel balustrade post, staircase handrail, balcony guardrail, swimming pool fence and other high-grade building materials. All the products are designed strictly according to the high-end market requirements. We have our own factory in Tangxia Town, Dongguan, has a variety of precision equipment more than 50 sets: CNC lathe, milling machine, punching machine, pipe cutter, argon welder, drilling machine, polisher, etc. which can provide customers with complete product processing services. With the German SPECTRO Spectrometer, we insist on testing every batch of materials to ensure that the material is highly qualified. We also have hardness gauge, secondary element and other test equipment to ensure the products meets customers' requirements.

## ABOUT US



# OUR ADVANTAGE

Please do not hesitate to contact us if you have any requirement regarding our production lines, you can expect a timely reply with professional solutions!



Own factory, shortest lead time.



Can help customers design product drawings based on customer ideas and design engineering installation drawing according to the customer site sketch.



Sample order, trial order acceptable.



Provide material test report to ensure that the material is qualified.



13 years of industry experience, we can help customers recommend the best solution to help customers save cost.

# OUR FACTORY

More than 13 years experience in hardware industry design and processing, we can provide customized services from design to the sample and small batch trial production.



# OUR CERTIFICATE

With premium quality, competitive price and superior service, we won a lot of customers' favor.  
Our products are popular in North America, European and Australia.





# PRODUCTION PROCESS



Casting



CNC lathe



CNC Milling



Stamping



Drilling & Tapping

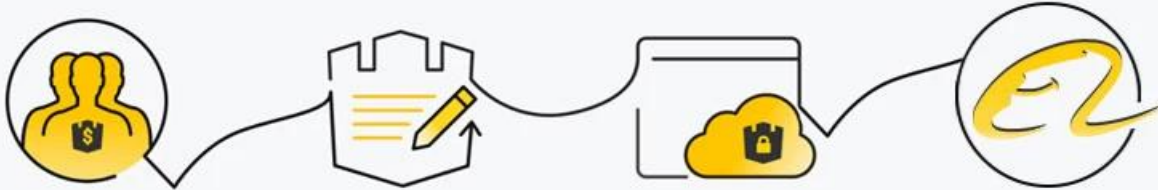


Polishing



# PAYMENT & TRANSPORTATION

Welcome Alibaba Trade Assurance Order!



1 Start an order

2 Negotiate terms with our sales service & confirm order

3 Make payment

4 Alibaba provide full assurance



PayPal



VISA

HSBC



XPL FedEx<sup>®</sup>  
Express

EMS<sup>®</sup>

DHL

TNT



## Preguntas más frecuentes

1. ¿Eres de fábrica?

Sí, somos fábrica

2. ¿Ofrecen muestras gratis?

Sí, ofrecemos muestras gratis, pero los clientes deben pagar cargos expresos.

3. ¿Qué materiales tienes?

Tenemos el material de acero inoxidable 304, 316, 316L y Duplex 2205.

**4. ¿Cuál es tu MOQ?**

**MOQ de orden requerida es 1 pc.**

**5. ¿Qué tipo de pago aceptas?**

**Aceptamos el pago de T / T, LC, PayPal, West Union, etc.**

**6. ¿Cuál es su plazo de pago?**

**Nuestro plazo de pago es T / T (100% o 30/70) o LC a primera vista.**

**7. ¿Cuál es su tiempo de entrega?**

**Nuestro tiempo de entrega es de 5 días a 30 días base en su cantidad.**

**8. ¿Ofrecen OEM y & Servicio ODM?**

**Sí, ofrecemos el servicio OEM & ODM.**

**9. ¿Ofrecen servicio post-venta?**

**Sí, ofrecemos servicio postventa. Cualquier queja por pedidos será tratada a tiempo dentro de 12 horas.**

**Contáctenos ahora para más información:**

**Víspera**

**Correo electrónico: [sales03@launch-china.cn](mailto:sales03@launch-china.cn)**

**Móvil / Whatsapp: +8615907334556**