

Poste de barandilla de cable de acero inoxidable negro mate para barandas de escalera con aspecto extraordinario y gran calidad sin ninguna duda.

Características de la barandilla de cable de acero inoxidable negro mate

Artículo	Poste de barandilla de cable
Material	acero inoxidable 316
Terminar	negro mate por electrochapado
Fin de la publicación	40 * 40/50 * 50 mm
Mensaje medio	40 * 40/50 * 50 mm
Altura del poste de barandilla de cable	36 pulgadas 39 pulgadas 42 pulgadas (o según los requisitos)
Perno de fijación del poste de la baranda del cable a tierra	M10 * 100 mm
Cant. de perno de fijación necesario para cada puesto	4 piezas
Pasamanos superior	Tubos rectangulares de 50 * 25 mm
Cables	4 mm de diámetro, embalado en rollos
Tensor de cable	Código # T803
Dibujo de instalación	Proporcionado por Shenzhen Launch después de realizar el pedido
MOQ	10-50 metros
Plazo de pago	T / T (30/70)
certificado	EL LANZAMIENTO DE SHENZHEN HA SIDO VERIFICADO POR SGS

1) Fotos de poste de barandilla de cable de acero inoxidable negro mate para barandas de escalera-









●○ HUAWEI Mate 20 Pro
○○ LEICA TRIPLE CAMERA | AI

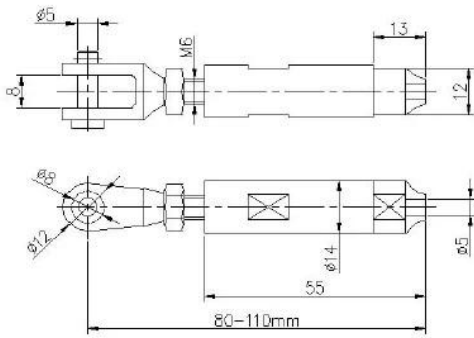
2. Tensor de cable para cables de 4 mm, código # T803



Packing



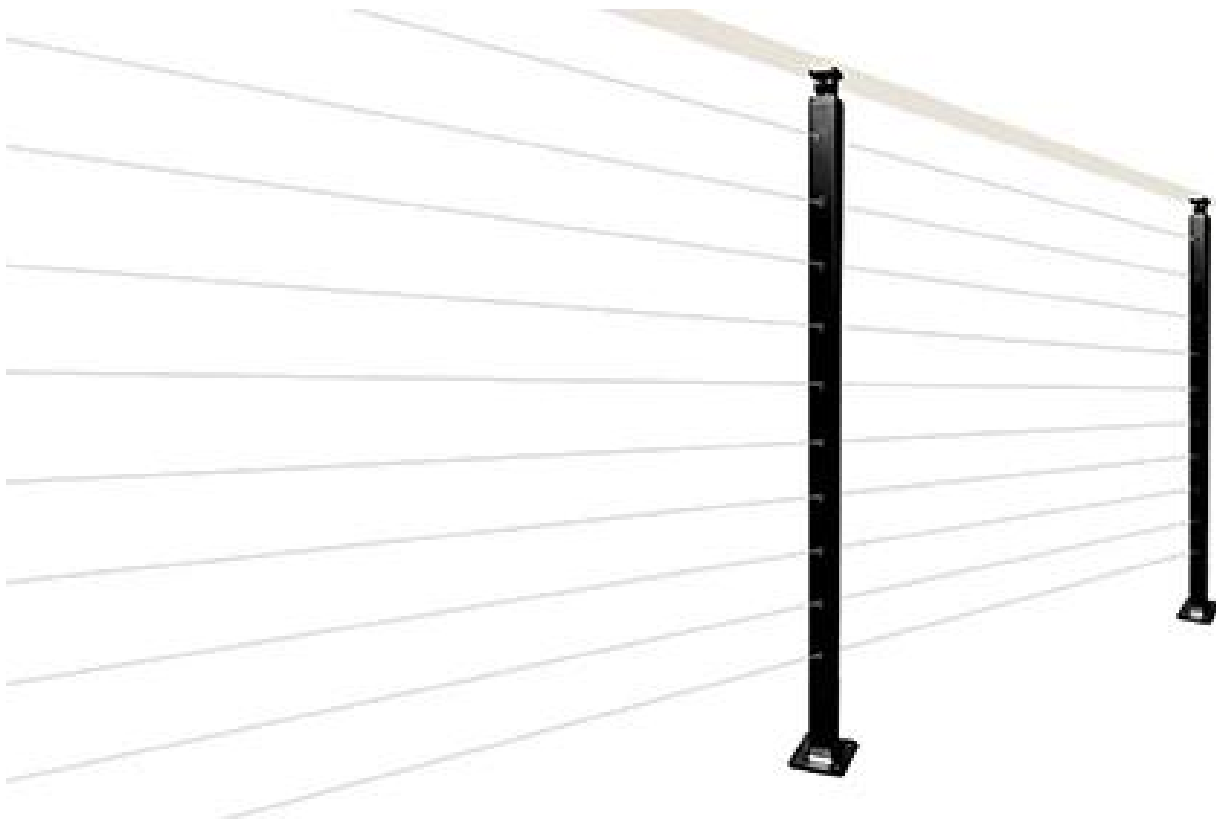
Model: T803



SWAGELESS TYPE CABLE TENSIONER



3 .. Fotos del proyecto de poste de barandilla de cable de acero inoxidable negro mate - -



Perfil de empresa de SHENZHEN LANZAMIENTO

Shenzhen Launch Co., Ltd was established in 2004, located at Nanshan District, Shenzhen, and one hour by car from Hongkong International Airport. Our main product is high-grade building materials includes stainless steel balustrade post, staircase handrail, balcony guardrail, swimming pool fence and other high-grade building materials. All the products are designed strictly according to the high-end market requirements. We have our own factory in Tangxia Town, Dongguan, has a variety of precision equipment more than 50 sets: CNC lathe, milling machine, punching machine, pipe cutter, argon welder, drilling machine, polisher, etc. which can provide customers with complete product processing services. With the German SPECTRO Spectrometer, we insist on testing every batch of materials to ensure that the material is highly qualified. We also have hardness gauge, secondary element and other test equipment to ensure the products meets customers' requirements.

ABOUT US



OUR ADVANTAGE

Please do not hesitate to contact us if you have any requirement regarding our production lines, you can expect a timely reply with professional solutions!



Own factory, shortest lead time.



Can help customers design product drawings based on customer ideas and design engineering installation drawing according to the customer site sketch.



Sample order, trial order acceptable.



Provide material test report to ensure that the material is qualified.



13 years of industry experience, we can help customers recommend the best solution to help customers save cost.

OUR FACTORY

More than 13 years experience in hardware industry design and processing, we can provide customized services from design to the sample and small batch trial production.



OUR CERTIFICATE

With premium quality, competitive price and superior service, we won a lot of customers' favor.
Our products are popular in North America, European and Australia.



PRODUCTION PROCESS



Casting



CNC lathe



CNC Milling



Stamping



Drilling & Tapping



Polishing

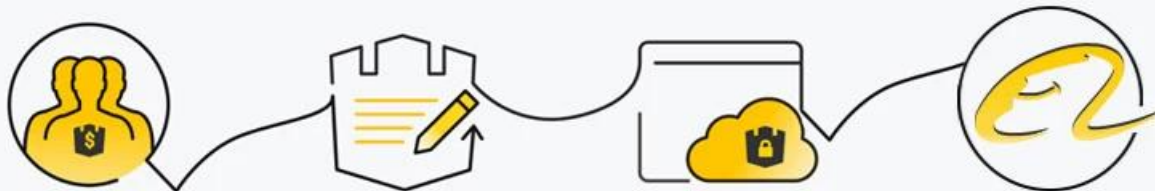


PACKAGING & DELIVERY



PAYMENT & TRANSPORTATION

Welcome Alibaba Trade Assurance Order!



- 1 Start an order
- 2 Negotiate terms with our sales service & confirm order
- 3 Make payment
- 4 Alibaba provide full assurance



FAQ

1. What materials do you have?

SS304, SS316, SS316L, Duplex 2205, etc.

2. Can you send me your whole price list?

Sorry, as the price related to many factors, such as quantity, material type, surface treatment and so on, we will offer you exact quote after we confirm your detailed requirements.

3. Do you offer OEM & ODM service?

Yes, we can make the products according to your technical drawings or samples, we are professional in investment casting, die casting, stamping, CNC machining, etc.

4. What kind of payment you accept?

T/T, L/C, PayPal, West Union, etc.

5. What is your payment term?

TT(30/70) or LC at sight.

6. What is your delivery time?

Within 5 workdays for hot-sale items, 15-25 workdays for batch orders.

7. Do you offer after-sales service?

Of course, any question after you purchase our products, we will get back to you within 24 hours.

CONTACT US

WELCOME TO CONTACT US. WE WILL DO OUR BEST TO HELP YOU!



CELIA CHEN



Email : sales01@launch-china.cn



Skype : launch-01



Mob. 86-13590273543

