

WHY CHOOSE US



15 YEARS EXPERIENCE

We have been manufacturing railing hardwares since 2004.



ONE STOP SERVICE

We provide integrated railing solutions. We manufacture. We deliver.



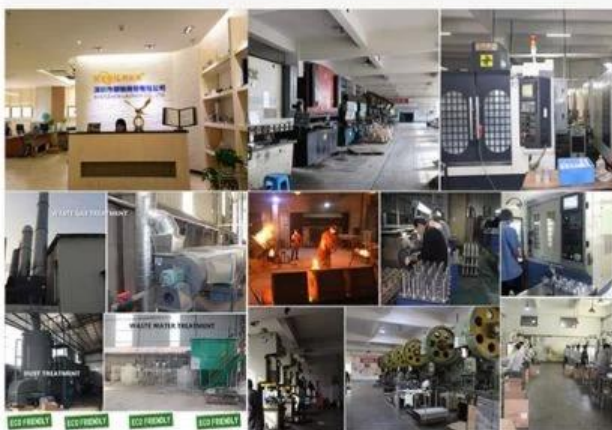
PROFESSIONAL R&D TEAM

We have engineering experts for developing new products.



TOP QUALITY & GOOD PRICE

We are strict on quality control as well as cost evaluation.



ABOUT US

Shenzhen Launch Co., Ltd was established in 2004, located at Nanshan District, Shenzhen, and one hour by car from Hongkong International Airport. Our main products are high-grade building materials including stainless steel balustrade post, staircase handrail, balcony guardrail, swimming pool fence and other high-grade building materials. All the products are designed strictly according to the high-end market requirements. We have our own factory in Tangxia Town, Dongguan, with more than 50 sets of various precision equipments, such as CNC lathe, milling machine, punching machine, pipe cutter, argon welder, drilling machine, polisher, etc. which can provide customers with complete product processing services.

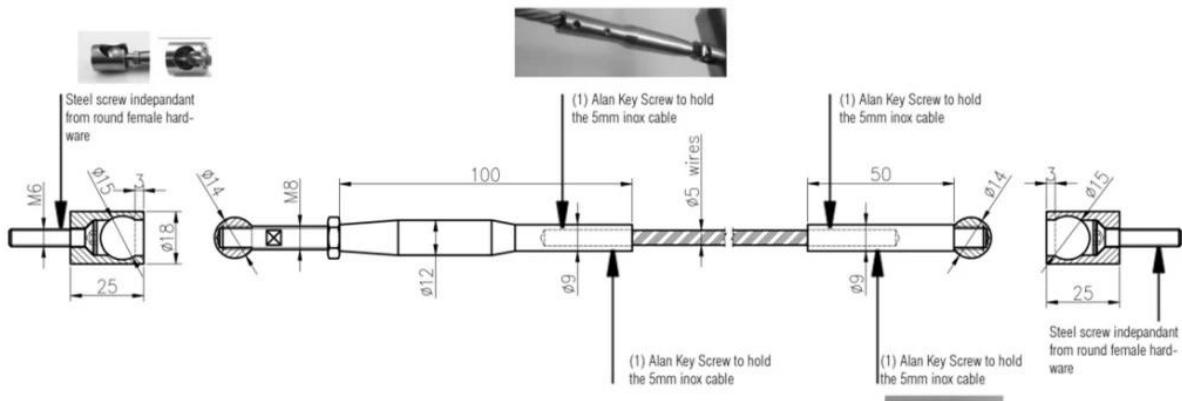
ProductoShow

Productonombre	Barandilla de cable de acero inoxidable Tensores ajustables Tensores de cable accesorios de cable
ModeloNo.	T809
Material	SS304 / SS316
Superficieterminar	Satinado / espejo como clientes requisito
Cablediámetro	3mm,4mm,5mm
Tipo de perno	puede ser con un perno fijación en acero / concreto, o con fijación de tornillo en madera
Solicitud	InterioroExteriorcablebarandillasistema





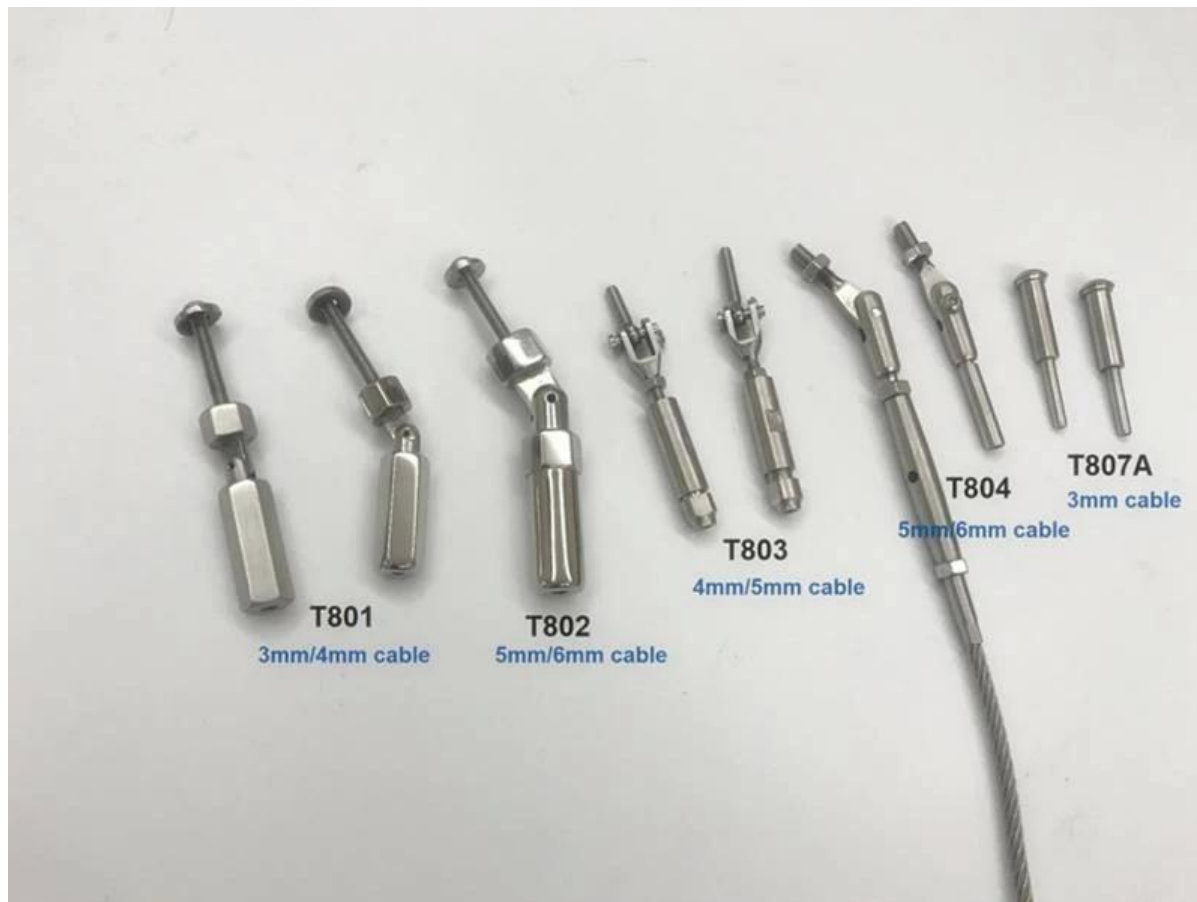
TécnicoDibujo



Fotos de producción



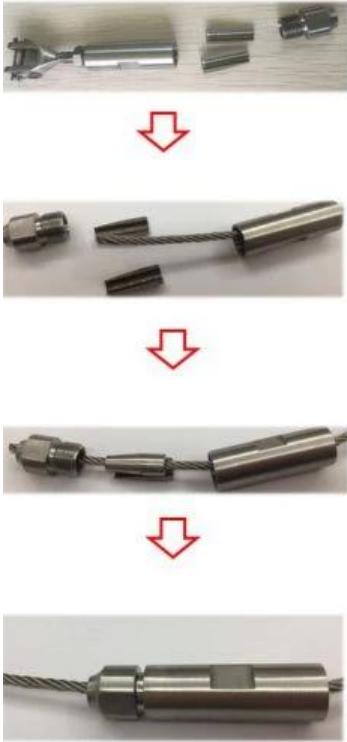
Otro tipos de cable tensores estn disponibles



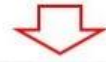
Instalacin

T803 cable fitting , installation instructions

Type 1: without hydraulic crimper



Type 2: with hydraulic crimper



Mount to steel or concrete



Wood screws , for wood mount

Hydraulic crimper



Projectshow





Si tiene alguna consulta para ellos, no dude en contactarme
Wendy: sales04@launch-china.cn
Teléfono / WhatsApp / WeChat: +8615989339827