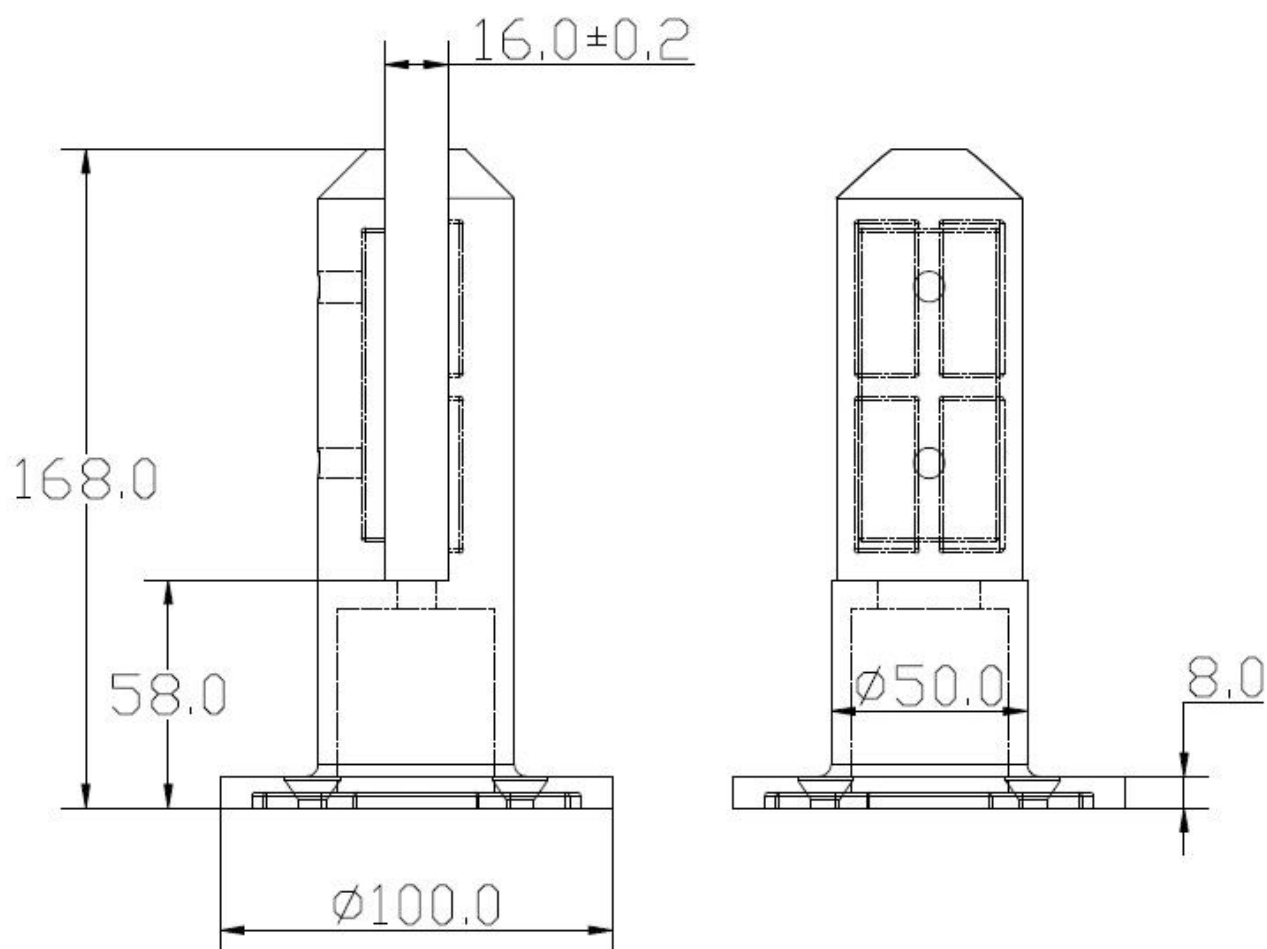


## Glass Espita RBM Introducción

Glass dimensión RBM espiga:

---



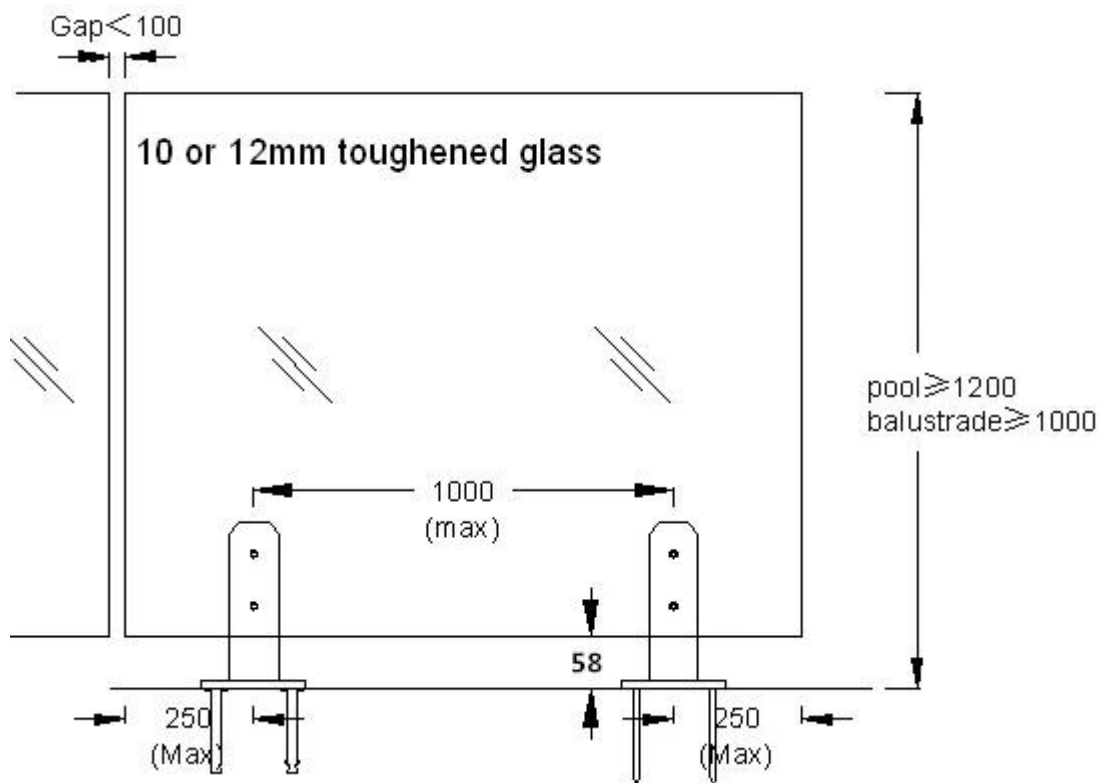
### Material:

Marine grade 316 Stainless Steel material to maximize the products life and appearance. This premium quality material is low carbon, anti óxido - tough, durable, excellent resistance to corrosion, suitable for outdoor uses.

### Superficie:

Finished with a fantastic high quality mirror polished finish.

Descargar [Grifo de cristal RBM dibujo técnico](#) Aquí.



#### Glass Espita RBM Característica:

- 1.Strong friction clamping system for NO HOLE glass, quick and easy to DIY Install. You can put as many clamps as you like along larger panels of glass.
- 2.Glass grifos son sólidos de acero inoxidable! No Hollow!
- 3.Suits vidrio templado de 10-12mm.
- 4.Designed and manufactured according to Australian Standard for swimming pool fencing safety, Australia Balustrade Standard ASY NZS.

#### Glass Espita RBM Aplicación:

Stainless steel glass spigots used for fixing glass of swimming pool fencing walls for outdoor living, antirust and very durable.

Nice-

looking mini posts apply to support 10 or 12mm fully frameless glass for fence in home & garden.

Glass gator clamps for the construction of glass handrails for a beautiful stair balustrade or balcony.

#### Glass Espita RBM Instalación DIY:

- 1.Mark fuera de la línea central de la valla de vidrio propuesto.
- 2.Determine spigot location and mark out the hole positions, drill the required holes.
- 3.Bolt the base plated spigot into position using the expansion screws for concrete/pavings/tiles or timber screws for wooden decking.
- 4.Fit la placa de la cubierta antes de instalar el vidrio sin marco.
- 5.Install the glass to the spigots and tighten the clamp with supplied Allen key.

#### Glass Espita RBM Embalaje:

Each glass spigot with 1 cover fitted is wrapped up with one air foam bag to protect from scratches.

Each spigot with foam bag is put into 1 carton box.

4 tornillos de expansión y 4

pcs sets timber screws for installation wrapped by thick rubber hose is put together with 1 spigot.

4 pequeñas cajas se embalan en 1 caja de cartón grande.

1 set installation tool allen keys free supplied in 1 big box.

Each big carton box is individually wrapped up with wrapping film & packing tapes.