

## Lasipainikehylsyjärjestelmä Ruostumaton teräs kaide

Tekniset tiedot:

Tuote nimi	Lasipainikehylsy, laskeutuva lasikisko, lasikaiteen pysähtyminen, lasin pysäytyspultit
materiaali	Ruostumaton teräs 316/304
Pintakäsittely	Satin harjattu tai peili kiillotettu
Ulottuvuus	50 * 12mm korkki, 50 * 30mm runko
Silikonikumitiiviste	sisältyvät
Lasipaksuus	10-19mm
Mouting to	Puinen tai betonialusta

Soveltamispaikat: ulkolasin kaide ja sisäkaton kaidejärjestelmä

Käyttökohteet:

parveke lasikisko

portaikko lasikisko suunnittelu

terassi lasi kaide suunnittelu jne.

**Dia 50mm** Lasi Standoff / Button in **Satin päättyy:**



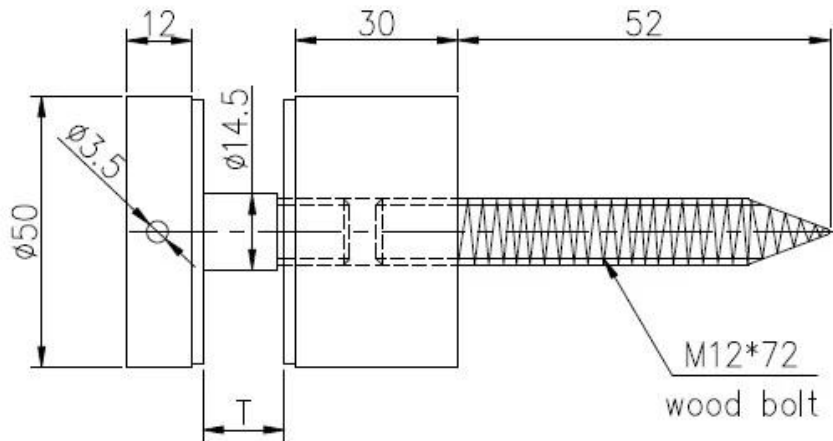
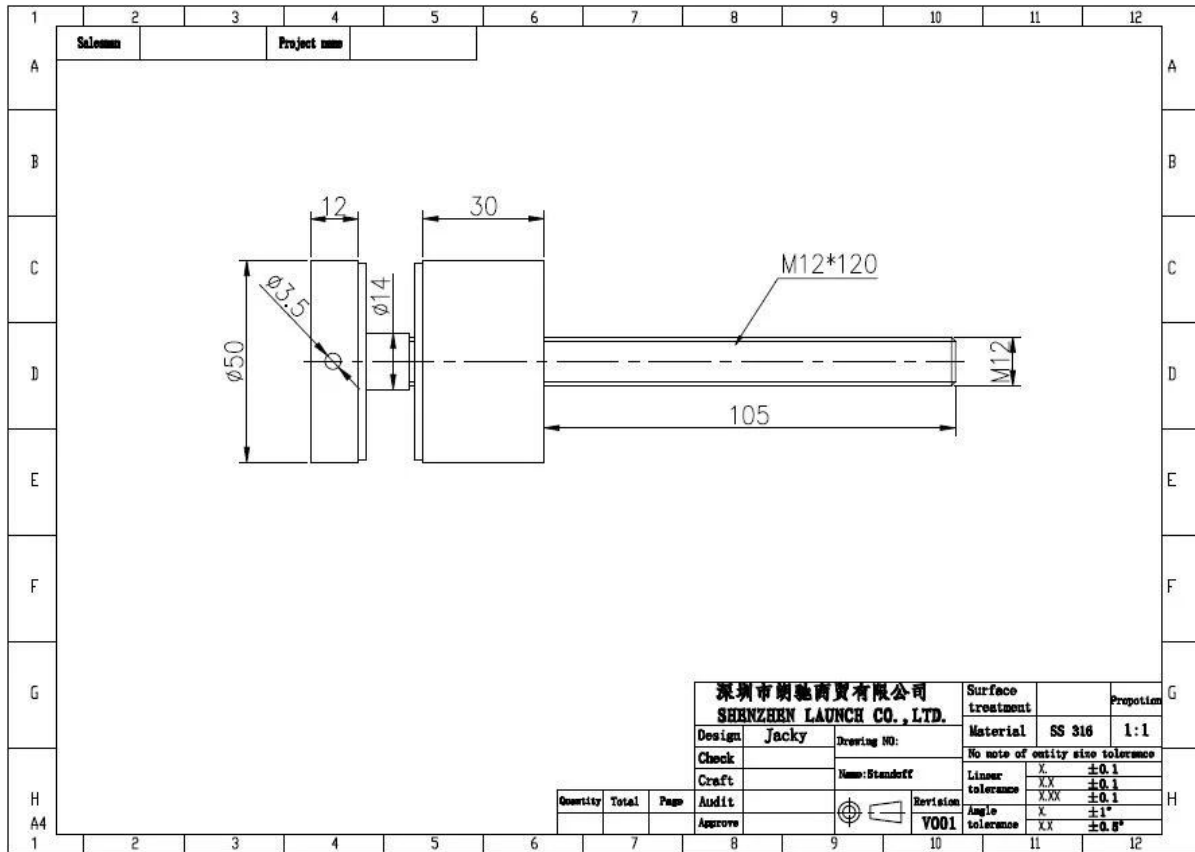
**Dia 50mm** Lasi Standoff / Button in **Mirror Finish**:

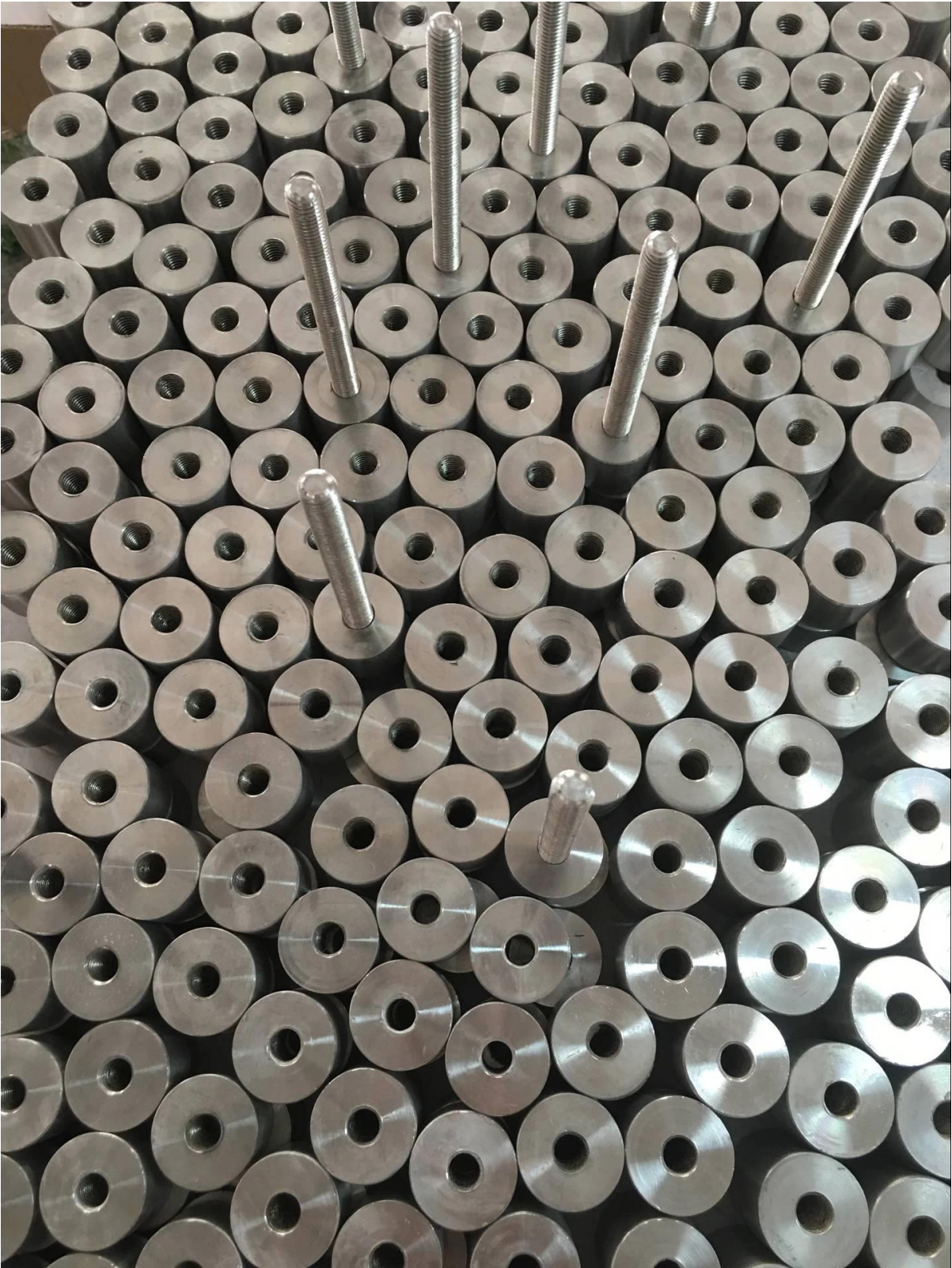


**Puuruuvilla kiinnitettäessä puupohjaan:**



**Tekninen piirustus:**









**Hankkeen valokuvat:**

Lasipainikehylsyjärjestelmä Ruostumaton teräs kaide







**Ruostumattomasta teräksestä valmistettu lasi pysähtyy kehykselliselle lasikuorelle**



**ruostumaton teräs pysähtyminen, kannatin lasipaneeliin, kaide suunnittelu**



Yritystiedot:



Shenzhen Launch Co., Ltd was established in 2004, located at Nanshan District, Shenzhen, and one hour by car from Hongkong International Airport. Our main product is high-grade building materials includes stainless steel balustrade post, staircase handrail, balcony guardrail, swimming pool fence and other high-grade building materials. All the products are designed strictly according to the high-end market requirements. We have our own factory in Tangxia Town, Dongguan, has a variety of precision equipment more than 50 sets: CNC lathe, milling machine, punching machine, pipe cutter, argon welder, drilling machine, polisher, etc. which can provide customers with complete product processing services. With the German SPECTRO Spectrometer, we insist on testing every batch of materials to ensure that the material is highly qualified. We also have hardness gauge, secondary element and other test equipment to ensure the products meets customers' requirements.

## ABOUT US



# OUR ADVANTAGE

Please do not hesitate to contact us if you have any requirement regarding our production lines, you can expect a timely reply with professional solutions!



Own factory, shortest lead time.



Can help customers design product drawings based on customer ideas and design engineering installation drawing according to the customer site sketch.



Sample order, trial order acceptable.



Provide material test report to ensure that the material is qualified.



13 years of industry experience, we can help customers recommend the best solution to help customers save cost.

# OUR FACTORY

More than 13 years experience in hardware industry design and processing, we can provide customized services from design to the sample and small batch trial production.



# OUR CERTIFICATE

With premium quality, competitive price and superior service, we won a lot of customers' favor.  
Our products are popular in North America, European and Australia.





# PRODUCTION PROCESS



Casting



CNC lathe



CNC Milling



Stamping



Drilling & Tapping

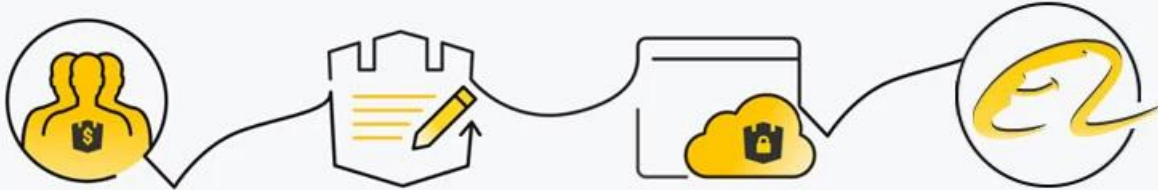


Polishing



# PAYMENT & TRANSPORTATION

Welcome Alibaba Trade Assurance Order!



1 Start an order

2 Negotiate terms with our sales service & confirm order

3 Make payment

4 Alibaba provide full assurance



XPL FedEx<sup>®</sup>  
Express

EMS<sup>®</sup>

DHL

TNT



Ota yhteyttä nyt lisätietoja!

Sähköposti: [sales03@launch-china.cn](mailto:sales03@launch-china.cn)

Mob: +8615907334556