

## **Uusi muotoilu Asenna helposti ruostumattomasta teräksestä valmistettu allasseinäsiiliö lasikiskoille SBM-3**

**Lasiputki, lasi-allas-aita-liitäntä, koukkujalusta, koukku-lasi**

Pääominaisuus: helpompi asennus ja amp. tasoitus säätö

1. Arvosana: SUS316, SUS316L, DUPLEX2205
2. Lasin paksuus: 10mm - 13.52mm
3. Valmis: harjattu satiini tai peili kiillotettu
4. asennettu: lattianpäällyste
5. Hakemus: Kehyksetön aidatus & Reunakaide

**Tuotteet Näytä:**





**Kiiltävä kullanvärinen:**



**Satiini-harjattu:**

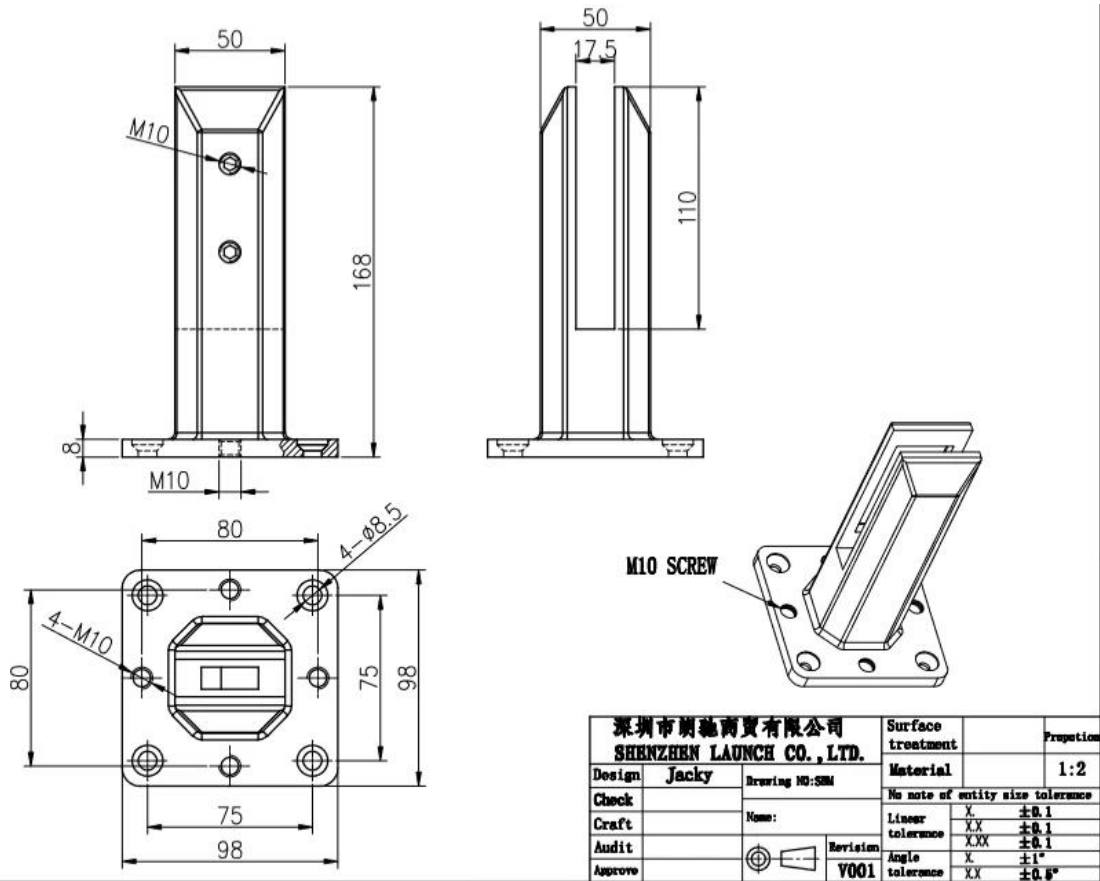


**Peili kiillotettu:**



Piirustus:





Projektikuvat:



SBM Satin-viimeistelyssä:







Shenzhen Launch Co, Ltd on ammattimainen valmistus suunnitteluun, tuotantoon ja myyntiin ruostumattomasta teräksestä valmistettujen laitteiden, lasikaiteen varusteet, kaide tarvikkeet ja muita tuotteita.

#### MIKSI VALITA MEIDÄT

Kilpailukykyinen hinta: Kiinan mantereeseen valmistus

Hyvä laatu: 14 vuotta kokenut tekninen

Erinomainen palvelu: 14 vuoden kokemus eri puolilta maailmaa

Eri malleja on saatavana asiakkaiden pyynnöstä



Shenzhen Launch Co., Ltd was established in 2004, located at Nanshan District, Shenzhen, and one hour by car from Hongkong International Airport. Our main product is high-grade building materials includes stainless steel balustrade post, staircase handrail, balcony guardrail, swimming pool fence and other high-grade building materials. All the products are designed strictly according to the high-end market requirements. We have our own factory in Tangxia Town, Dongguan, has a variety of precision equipment more than 50 sets: CNC lathe, milling machine, punching machine, pipe cutter, argon welder, drilling machine, polisher, etc. which can provide customers with complete product processing services. With the German SPECTRO Spectrometer, we insist on testing every batch of materials to ensure that the material is highly qualified. We also have hardness gauge, secondary element and other test equipment to ensure the products meets customers' requirements.

## ABOUT US

### Our Team



# OUR ADVANTAGE

Please do not hesitate to contact us if you have any requirement regarding our production lines, you can expect a timely reply with professional solutions!



Own factory, shortest lead time.



Can help customers design product drawings based on customer ideas and design engineering installation drawing according to the customer site sketch.



Sample order, trial order acceptable.



Provide material test report to ensure that the material is qualified.



13 years of industry experience, we can help customers recommend the best solution to help customers save cost.

# OUR FACTORY

More than 13 years experience in hardware industry design and processing, we can provide customized services from design to the sample and small batch trial production.



# OUR CERTIFICATE

With premium quality, competitive price and superior service, we won a lot of customers' favor.  
Our products are popular in North America, European and Australia.





# PRODUCTION PROCESS



Casting



CNC lathe



CNC Milling



Stamping



Drilling & Tapping

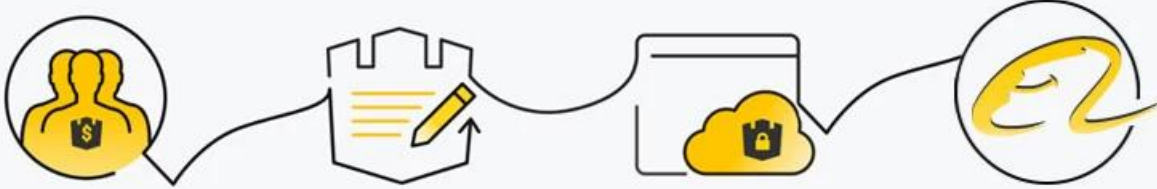


Polishing



# PAYMENT & TRANSPORTATION

Welcome Alibaba Trade Assurance Order!



1 Start an order

2 Negotiate terms with our sales service & confirm order

3 Make payment

4 Alibaba provide full assurance



## Pakkaus & Toimitus

### Pakkaustiedot:

1. Jokainen kara on kääritty muovikalvolla ja ilmatyynyllä ja laita sitten kotelo.
2. 100 kiinnityspistettä pakataan yhteen laatikkoon vanerikoteloon.
3. Voidaan myös pakata asiakkaiden vaatimuksiksi.

Toimitustiedot: 10-15 työpäivää maksun jälkeen.

Ota yhteyttä nyt lisätietoja!

Sähköposti: [sales03@launch-china.cn](mailto:sales03@launch-china.cn)

Mobile: +8615907334556

**KEBIL** 科比奥® SHENZHEN LAUNCH CO.LTD  
LAUNCH INTERNATIONAL LIMITED

**Eve Chow**

Sales representative

M : +86 159 0733 4556

T : +86 755 8603 7559

E : [sales03@launch-china.cn](mailto:sales03@launch-china.cn)

A : B5-5003, Yilida Bldg, Nanshan District, Shenzhen