

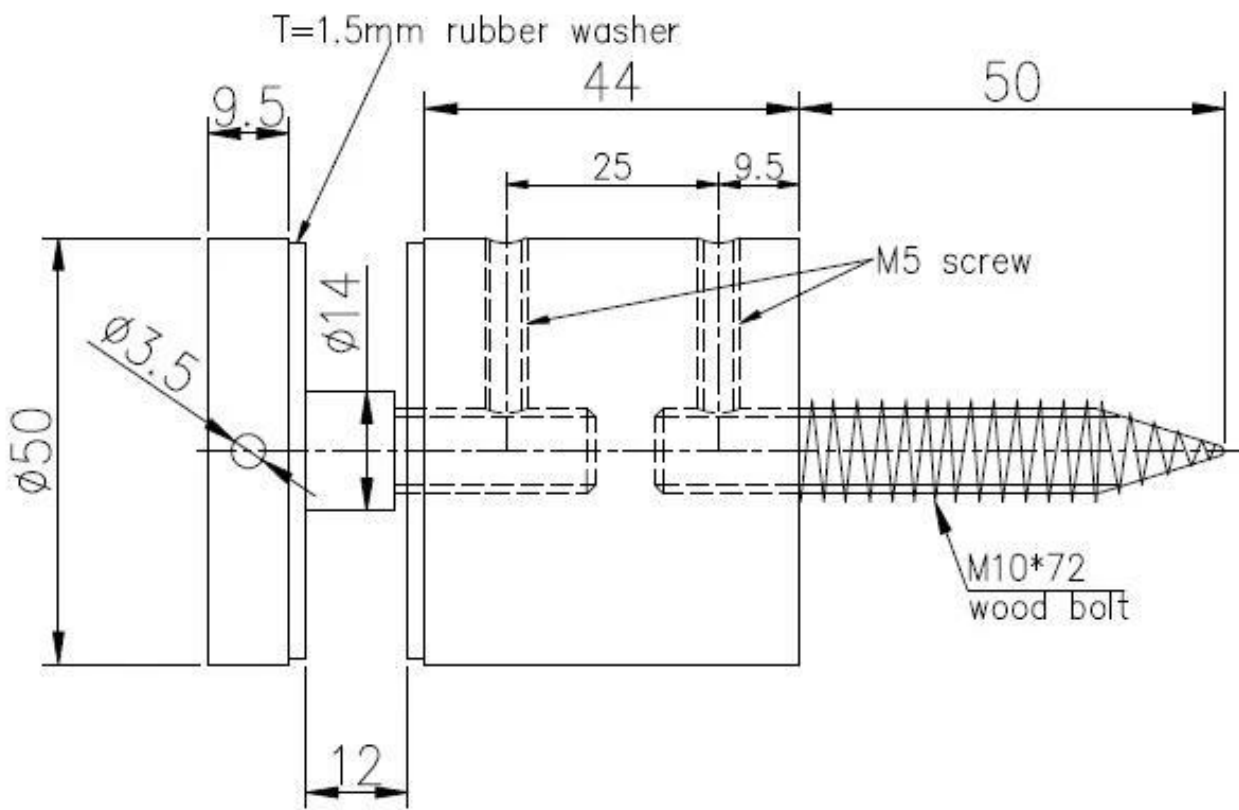
2 "parenthèse de barrière de verre de l'acier inoxydable AISI304 / 316 pour le système de balustrade de verre trempé

Caractéristiques:

Nom du produit	2 "parenthèse de barrière de verre de l'acier inoxydable AISI304 / 316 pour le système de balustrade de verre trempé
Matériel	Acier inoxydable 304/316
Autre nom	Entretoise de clôture en verre, boulons d'écartement en verre, écarter pour le verre
terminer	Miroir poli ou satiné
Taille du verre	2 "de diamètre avec une base de 1-3 / 4", épaisseur du bouchon 3/8 "
Pour épaisseur de verre	Verre trempé de 1/2 "et 3/4" (12 et 19 mm)
Trou de verre percé	Diamètre 12 mm requis dans le verre
Poids net	910g / pièce
Montage	montage mural / montage latéral / montage sur fascia
MOQ	10 morceaux
Échantillon	Disponible
OEM & Service ODM	Acceptable
Application	Conception d'escaliers intérieurs et extérieurs, balustrade de balcon, balustrade de pont sans cadre en verre, conception de balcon Juliette, escalier flottant
Inspection d'usine	Disponible



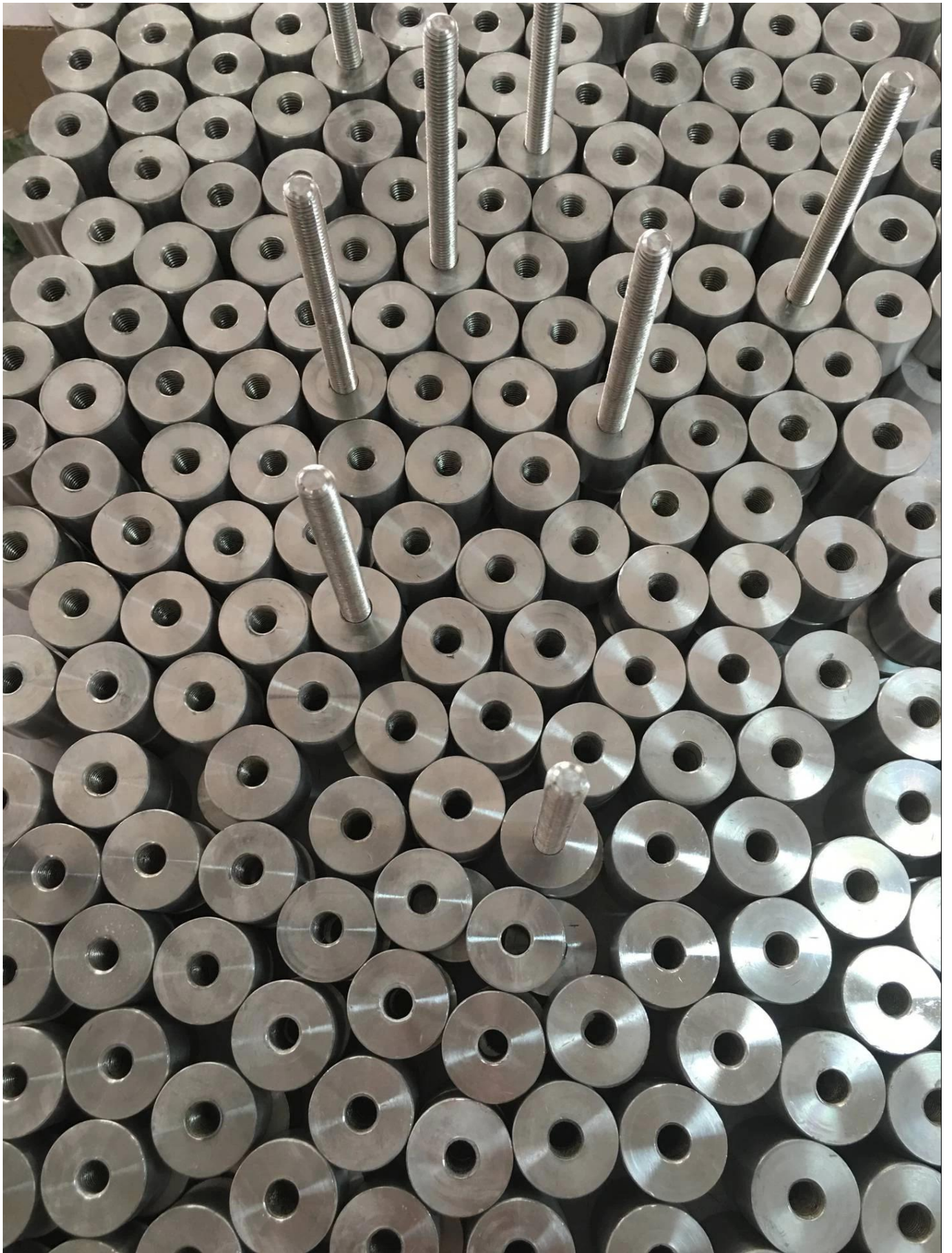
Capuchon et base de 2 "de diamètre pour montage sur substrat en bois:



Capuchon et base d'écartement de 2 "de diamètre pour montage sur substrat de

béton:









Photos du projet:



Socle en verre en acier inoxydable pour balustrade en verre sans cadre



Information d'entreprise:

Shenzhen Launch Co., Ltd was established in 2004, located at Nanshan District, Shenzhen, and one hour by car from Hongkong International Airport. Our main product is high-grade building materials includes stainless steel balustrade post, staircase handrail, balcony guardrail, swimming pool fence and other high-grade building materials. All the products are designed strictly according to the high-end market requirements. We have our own factory in Tangxia Town, Dongguan, has a variety of precision equipment more than 50 sets: CNC lathe, milling machine, punching machine, pipe cutter, argon welder, drilling machine, polisher, etc. which can provide customers with complete product processing services. With the German SPECTRO Spectrometer, we insist on testing every batch of materials to ensure that the material is highly qualified. We also have hardness gauge, secondary element and other test equipment to ensure the products meets customers' requirements.

ABOUT US

Our Team



OUR ADVANTAGE

Please do not hesitate to contact us if you have any requirement regarding our production lines, you can expect a timely reply with professional solutions!



Own factory, shortest lead time.



Can help customers design product drawings based on customer ideas and design engineering installation drawing according to the customer site sketch.



Sample order, trial order acceptable.



Provide material test report to ensure that the material is qualified.



13 years of industry experience, we can help customers recommend the best solution to help customers save cost.

OUR FACTORY

More than 13 years experience in hardware industry design and processing, we can provide customized services from design to the sample and small batch trial production.



OUR CERTIFICATE

With premium quality, competitive price and superior service, we won a lot of customers' favor.
Our products are popular in North America, European and Australia.



PRODUCTION PROCESS



Casting



CNC lathe



CNC Milling



Stamping



Drilling & Tapping

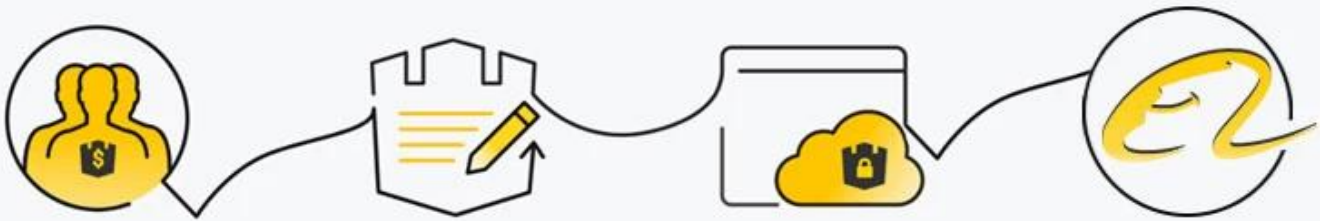


Polishing



PAYMENT & TRANSPORTATION

Welcome Alibaba Trade Assurance Order!



- 1 Start an order
- 2 Negotiate terms with our sales service & confirm order
- 3 Make payment
- 4 Alibaba provide full assurance



Contactez-nous maintenant pour plus d'informations!
Email: sales03@launch-china.cn

Mob: +8615907334556