

Tendeur de câble de matériel de garde-corps en acier inoxydable 316 pour câbles de 3 à 5mm, tendeur de câble sans ressaut, sans sertisseuse hydraulique.

Features-

Article	matériel de garde-corps de câble, tendeur de câble
Diamètre du câble	3mm 4mm 5mm
Application	poteau en acier / poteau en bois
Type	swageless
Matériel	Acier inoxydable 316 / 304SS
MOQ	50 paires

Photos du tendeur de câble T803 -



Tendeur de câble T803 avec boulon / vis à bois

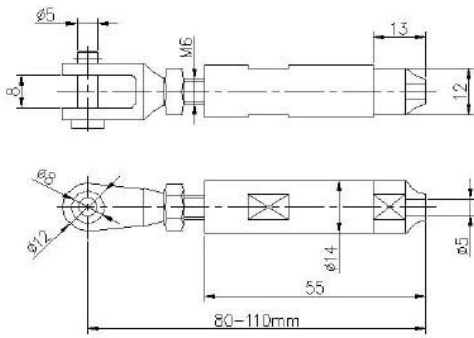


T803



Spécifications de dessin du tendeur de câble T803.

Model: T803



SWAGELESS TYPE CABLE TENSIONER



Nous avons également d'autres types de tendeurs de câbles pour votre sélection -
Tendeur de câble T804, pour câbles de 4-5mm



Tenonneuse de câbles T807A, principalement pour les petits câbles de 3 mm de diamètre



T807A

Photos de projet de garde-corps avec tendeurs de câble -

Project Photos





Profil de la société-

Shenzhen Launch Co., Ltd was established in 2004, located at Nanshan District, Shenzhen, and one hour by car from Hongkong International Airport. Our main product is high-grade building materials includes stainless steel balustrade post, staircase handrail, balcony guardrail, swimming pool fence and other high-grade building materials. All the products are designed strictly according to the high-end market requirements. We have our own factory in Tangxia Town, Dongguan, has a variety of precision equipment more than 50 sets: CNC lathe, milling machine, punching machine, pipe cutter, argon welder, drilling machine, polisher, etc. which can provide customers with complete product processing services. With the German SPECTRO Spectrometer, we insist on testing every batch of materials to ensure that the material is highly qualified. We also have hardness gauge, secondary element and other test equipment to ensure the products meets customers' requirements.

ABOUT US



OUR ADVANTAGE

Please do not hesitate to contact us if you have any requirement regarding our production lines, you can expect a timely reply with professional solutions!



Own factory, shortest lead time.



Can help customers design product drawings based on customer ideas and design engineering installation drawing according to the customer site sketch.



Sample order, trial order acceptable.



Provide material test report to ensure that the material is qualified.



13 years of industry experience, we can help customers recommend the best solution to help customers save cost.

OUR FACTORY

More than 13 years experience in hardware industry design and processing, we can provide customized services from design to the sample and small batch trial production.



OUR CERTIFICATE

With premium quality, competitive price and superior service, we won a lot of customers' favor.
Our products are popular in North America, European and Australia.



PRODUCTION PROCESS



Casting



CNC lathe



CNC Milling



Stamping



Drilling & Tapping



Polishing



PACKAGING & DELIVERY

