

## Verre Robinet SBM Introduction:



SBM

### Dimension:

Hauteur: 168MM;

Largeur: 50mm de diamètre;

hauteur de Groove: 110mm;

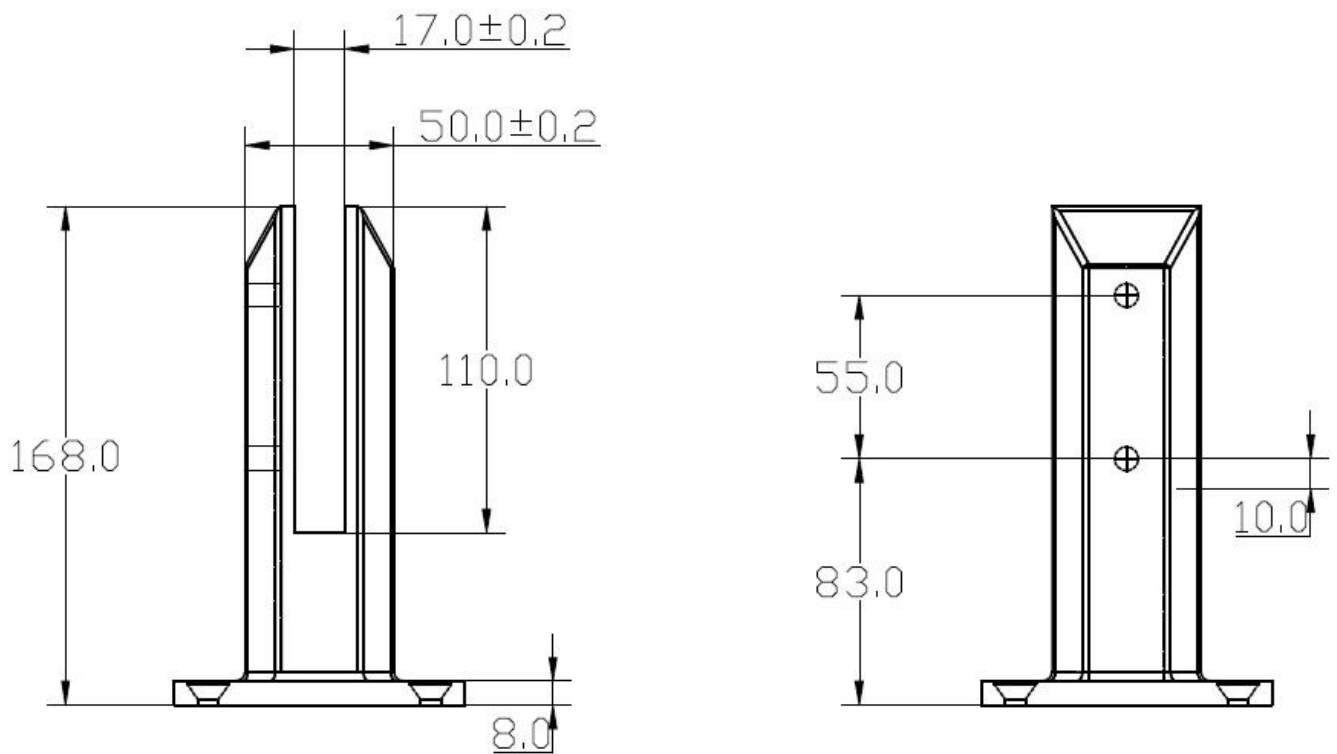
Groove en bas: 58mm;

Diamètre de base: 98mm;

diamètre de la plaque de couverture: 100 mm;

2 x M8 grub screws, SS316 pressure plate, special high quality caoutchouc de silicone joint d'étanchéité.

100mm diameter dress ring/ cover plate to suit the round spigot for hiding visual fixings (cover plate must be used with installation).



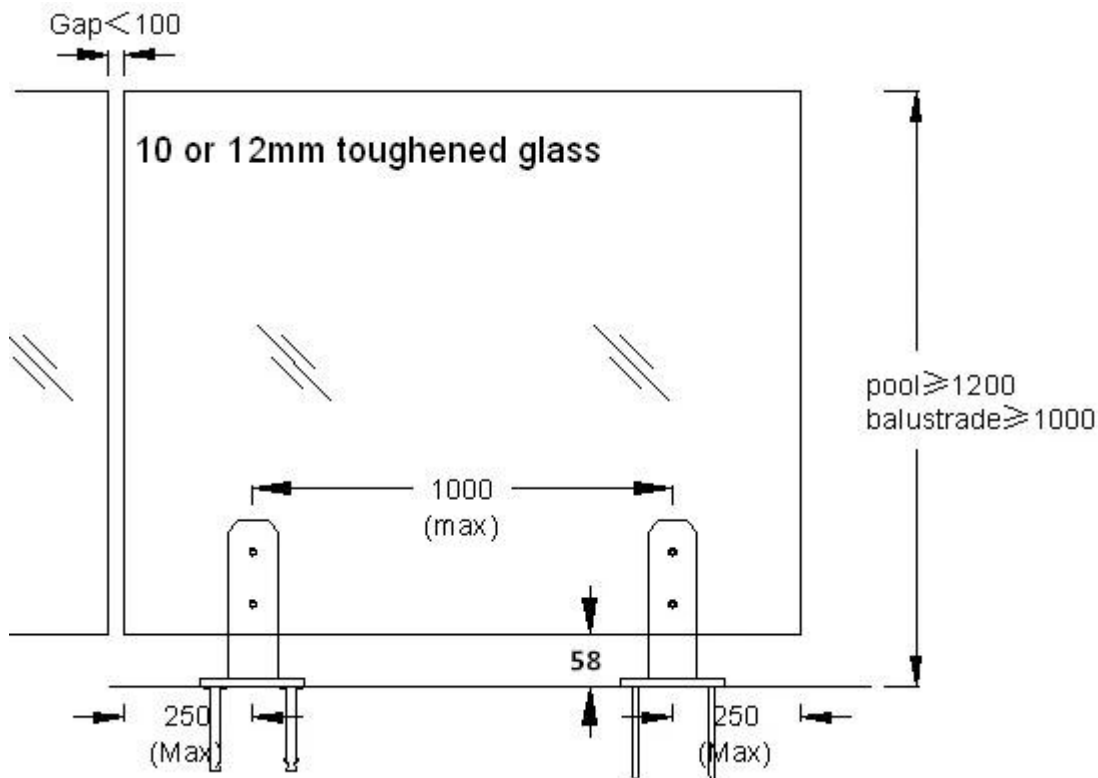
**Matériel:**

Marine grade 316 Stainless Steel material to maximize the products life and appearance. This premium quality material is low carbon, antirouille - tough, durable, excellent resistance to corrosion, suitable for outdoor uses.

**Surface:**

Finished with a fantastic high quality mirror polished finish.

Télécharger [robinet de verre SBM dessin technique](#) Ici.



Verre Robinet SBM Caractéristique:

- 1.Strong friction clamping system for NO HOLE glass, quick and easy to DIY Install. You can put as many clamps as you like along larger panels of glass.
- 2.Glass spigots sont solide en acier inoxydable! Pas Creusez!
- 3.Suits 10 OU 12mm en verre trempé.
- 4.Designed and manufactured according to Australian Standard for swimming pool fencing safety, Australia Balustrade Standard AS& NZS.

#### Verre Robinet SBM Application:

Stainless steel glass spigots used for fixing glass of swimming pool fencing walls for outdoor living, antirust and very durable.

Nice-

looking mini posts apply to support 10 or 12mm fully frameless glass for fence in home & garden.

Glass gator clamps for the construction of glass handrails for a beautiful stair balustrade or balcony.

#### Verre Robinet SBM Installation DIY:

- 1.Mark sur la ligne centrale de la proposition de clôture de verre.
- 2.Determine spigot location and mark out the hole positions, drill the required holes.
- 3.Bolt the base plated spigot into position using the expansion screws for concrete/pavings/tiles or timber screws for wooden decking.
- 4.fit le couvercle avant d'installer verre sans cadre.
- 5.Install the glass to the spigots and tighten the clamp with supplied Allen key.

#### Verre Robinet SBM Emballage:

Each glass spigot with 1 cover fitted is wrapped up with one air foam bag to protect from scratches.

Each spigot with foam bag is put into 1 carton box.

4 vis de l'expansion des pièces et

4 sets timber screws for installation wrapped by thick rubber hose is put together with 1 spigot.

4 petites boîtes sont emballées dans une grande boîte de carton.

1 set installation tool allen keys free supplied in 1 big box.

Each big carton box is individually wrapped up with wrapping film & packing tapes.