

Chine Fabrication de designs de garde-corps en acier inoxydable



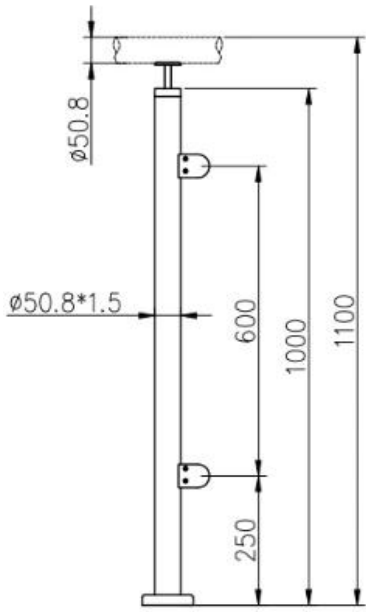
1	Matériau et finition	304/316 Acier inoxydable; Finition satinée ou miroir
2.	Hauteur	1000mm / tailles personnalisées
3	STUCHONE POST	D50.8 * 1.5 (mm) tube; Support de chemin de fer supérieur réglable à 4 voies; Pince de verre carrée ou ronde.
4	Rail supérieur.	D50.8 * 1.5 (mm) Tube de câble
5	Rampe de sécurité	Panneau de verre trempé transparent transparent de 10 mm / 12mm
6	Tu vois Position	Balustre, Balustrade, Banister, Clôture, Mandrail, Railings; Balcon, pont, pont, jardin, patio, piscine, porche, escalier, terrasse
7	Installation	Haut / côté monté
8	Paquet	EPE + boîte intérieure + carton

ProduitSpectacle

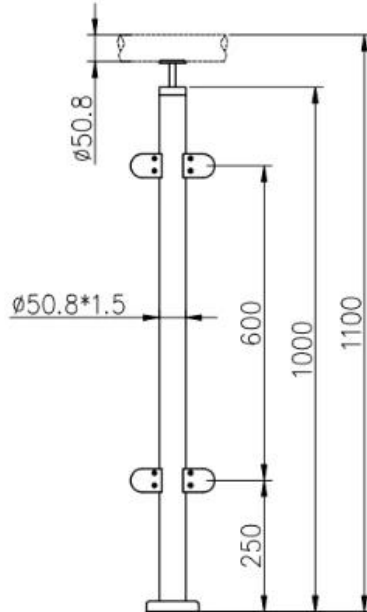


TechniqueDessin

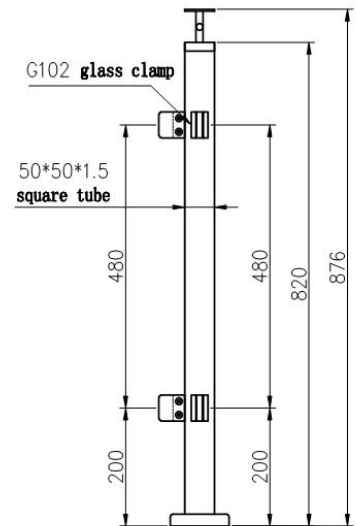
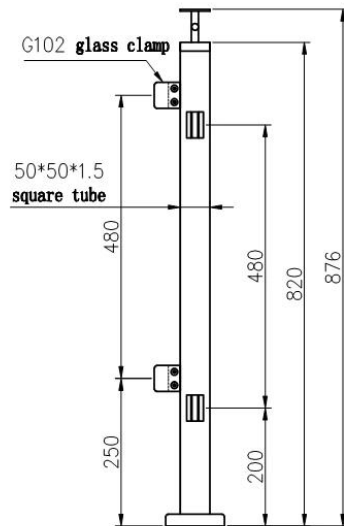
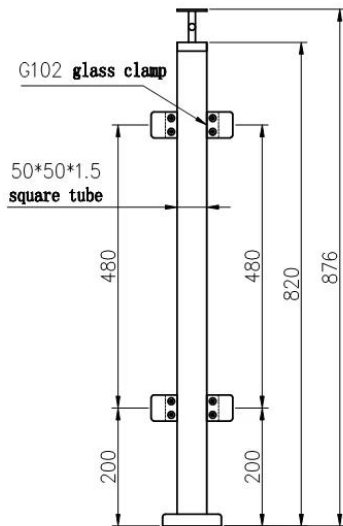
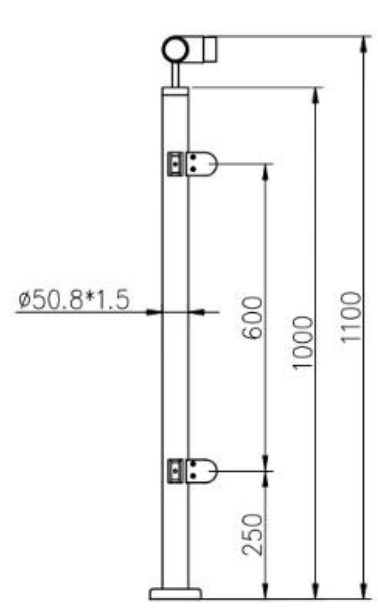
LCH-106



LCH-107



LCH-108



Installation:

Glass Clamp Installation Guide



Mark and centre punch desired location of blind rivet nut location.



Drill centre punched hole in tube to suit blind rivet nut.



Insert blind rivet nut into tube and fasten with blind rivet tool.



Check installed blind rivet nut is secure and ready for install.



Align half glass clamp with blind rivet nut inline position. Screw in button head cap screw into thread and tighten with hex key.



Select appropriate rubber gasket to suit glass panel thickness. Install rubber gasket into both sides of glass clamp. (Note rubber gasket marked with sizes).



If heavier clamping load is required please use supplied glass clamp pin, during the install process. Note glass panels will require drilling in order to fit glass clamp pins.



Fit glass panel into position, install second half of glass clamp secure with provided hex screws.

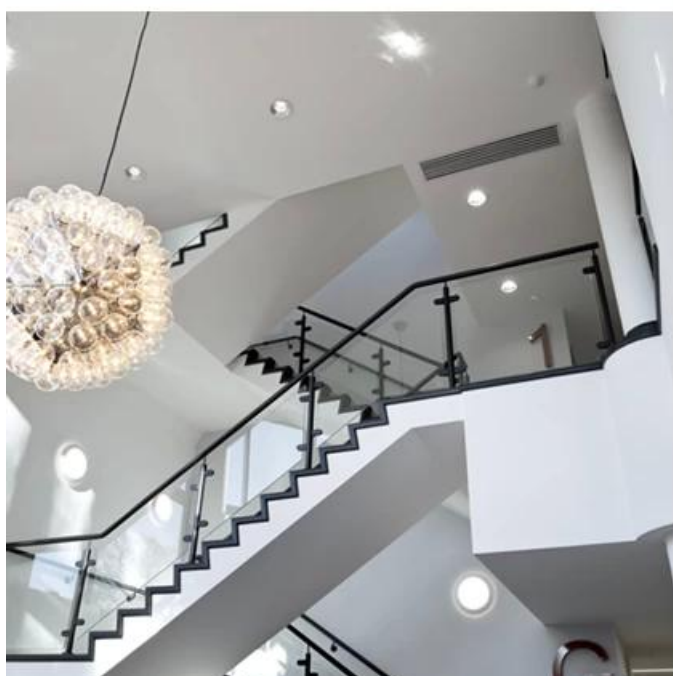


Tighten glass clamps with hex key, and check glass panel are secure with no movement.

Projet Show:

Chine Fabrication de designs de garde-corps en acier inoxydable





Bienvenue à Contactez moi pour plus de détails:
Wendy: sales04@launch-china.cn.
Hp / whatsapp / wechat: +8615989339827