

Duplex 2205 Bascule ronde brossée SpiGOT en verre pour une clôture en verre de piscine sans cadre.

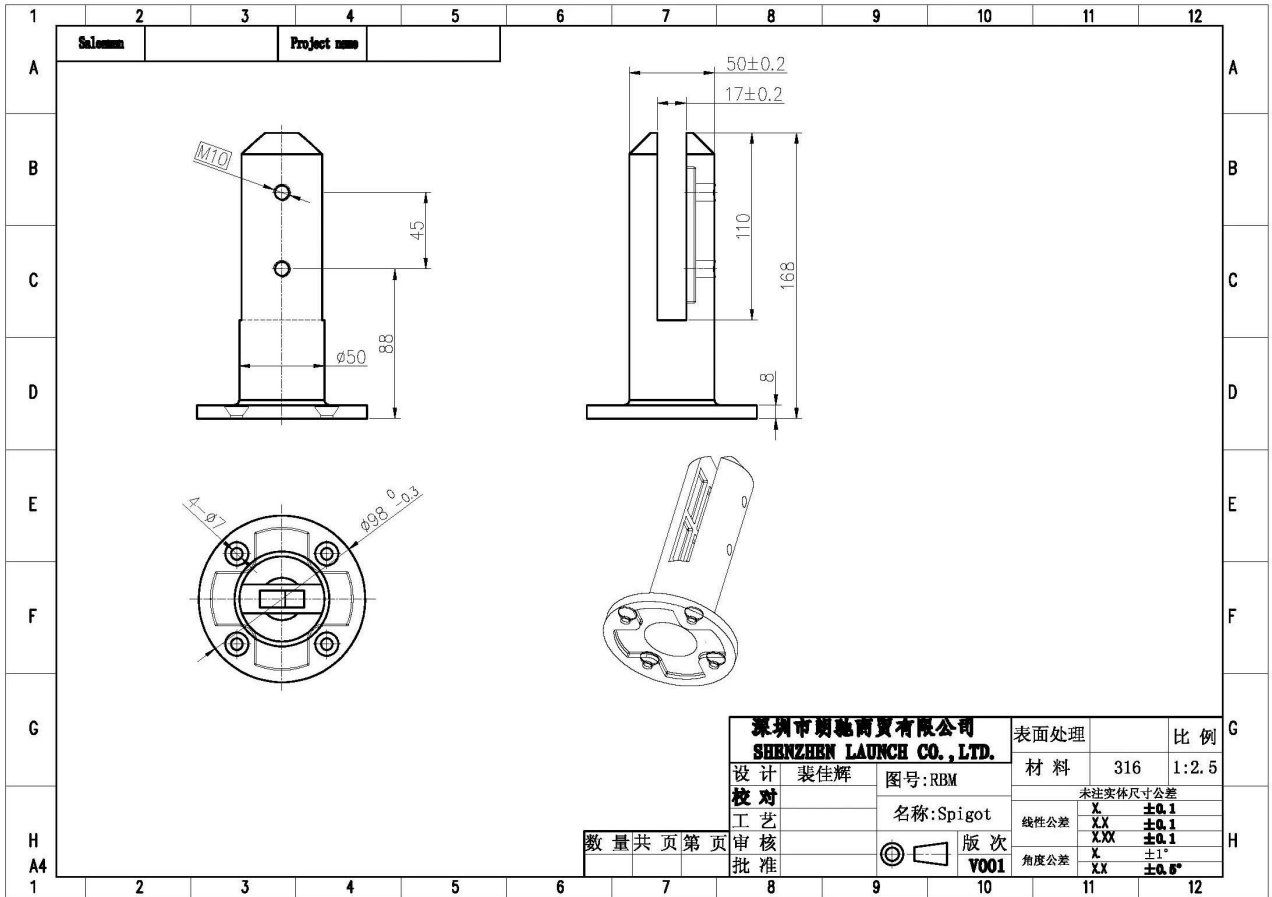
1. Caractéristiques -

Numéro de modèle	Rbm
Matériel	Duplex 2205 en acier inoxydable
Finir	Satin brossé, miroir, noir, or, etc.
Pour l'épaisseur de verre	10mm-13.52mm
Hauteur	168mm
Moq	1 pc

2. Photo et dimension-







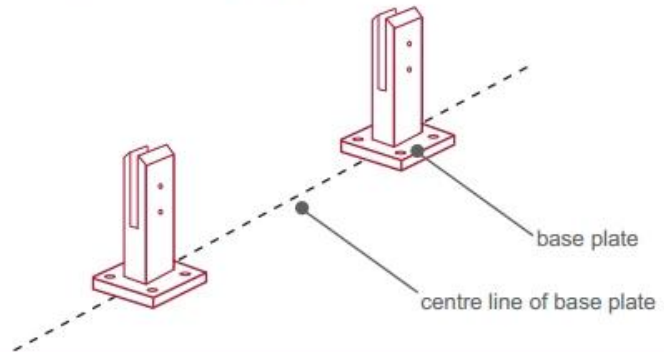
3. Guide d'installation-



fixing method: base plate spigots

Mark out the centre line of proposed glass fence with a chalk line. Determine clamp location based on a sheet size (recommendation on pages 1 & 2). Use base plate as a template to mark out the hole positions and drill holes to suit.

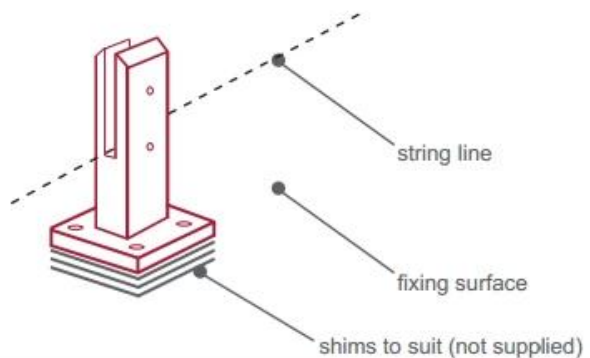
Note: Do not exceed 100mm gaps between glass panels. Optimum gap is 40mm to 60mm



Now the base plated spigots can be fitted to the floor and plumbed via shims (not supplied) under the base plates. Be sure to tighten firmly as the smallest of movement at the base plate will result in noticeable movement at the bottom of the glass fence.

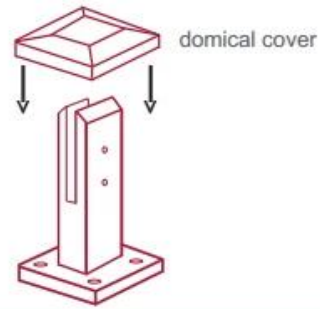
Tip: By setting the two outer spigots of your total span, a string line can be run in the 'throat' of the spigots, giving correct height for all spigots in between

Note: Do not exceed 100mm gap from the fixing surface to the bottom of the glass



When all spigots are installed, slip domical cover the top of the spigot to hide fixings. It will be necessary to turn the adjustment screws on the spigot face all the way in to allow cover to pass over

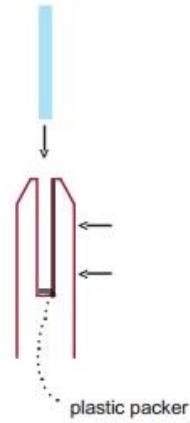
Note: Same installation method applies to round base plate spigot



The glass is then installed to the spigots. Place plastic packers between glass & spigot, at no stage should glass touch the metal

How adjustability works:

1. Place glass in spigot
2. Fix/ tension glass both sides with allen key



4. Rampes en verre sans cadre avec Duplex 2205 Plaque de base ronde brossée en verre Spigot -

