

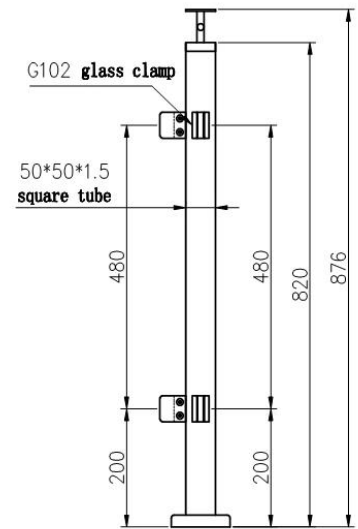
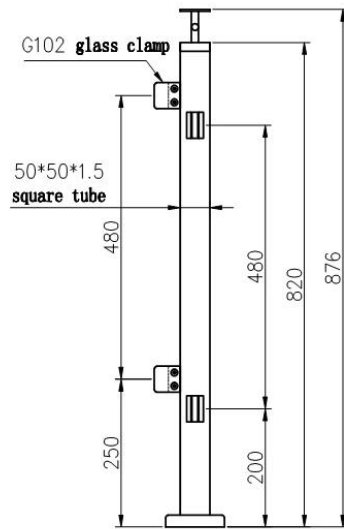
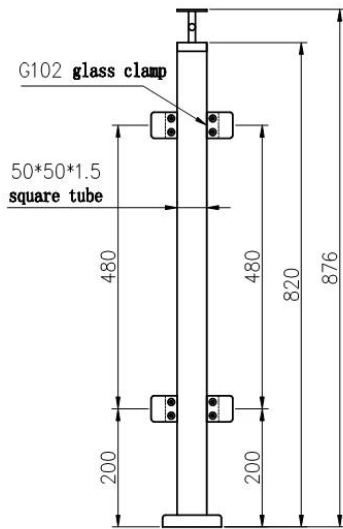
Escalier intérieur Balustrade carré en acier inoxydable

1	Matériel et finition	Acier inoxydable 304/316; Finition satin ou miroir
2	Hauteur	1000mm / taille personnalisée
3	Poteau de chantier	D50.8 * 1.5 (mm) tube; Support de rail supérieur réglable à 4 voies; Pince de verre carrée ou ronde.
4	Rail supérieur	D50.8 * 1.5 (mm) tube creux
5	Rampe de sécurité	Panneau de verre transparent trempé de 10mm / 12mm
6	Utilisation et Lieu	Balustre, balustrade, banister, clôture, main courante, balustrades; Balcon, pont, pont, jardin, patio, piscine, porche, escalier, terrasse
7	Installation	Haut / côté monté
8	Paquet	EPE + boîte intérieure + carton

ProduitSpectacle



TechniqueDessin



Square post railing design with handrail



End post



90 Degree corner post



Middle post

Installation:

Glass Clamp Installation Guide



1 Mark and centre punch desired location of blind rivet nut location.



2 Drill centre punched hole in tube to suit blind rivet nut.



3 Insert blind rivet nut into tube and fasten with blind rivet tool.



4 Check installed blind rivet nut is secure and ready for install.



5 Align half glass clamp with blind rivet nut inline position. Screw in button head cap screw into thread and tighten with hex key.



6 Select appropriate rubber gasket to suit glass panel thickness. Install rubber gasket into both sides of glass clamp. (Note rubber gasket marked with sizes).



6a If heavier clamping load is required please use supplied glass clamp pin, during the install process. Note glass panels will require drilling in order to fit glass clamp pins.



7 Fit glass panel into position, install second half of glass clamp secure with provided hex screws.



8 Tighten glass clamps with hex key, and check glass panel are secure with no movement.

Spectacle de projet

Escalier intérieur Balustrade carré en acier inoxydable
Pour les escaliers / designs de pont:



Bienvenue à contact nous pour plus de détails:
Wendy: sales04@launch-china.cn
Hp / whatsapp / wechat: +8615989339827