

Nouvelle conception facile installent le robinet de barrière de piscine d'acier inoxydable pour la balustrade en verre SBM-3

Spigot de verre, robinet de clôture de piscine en verre, garde-corps en verre de spigot, verre de robinet

Caractéristique principale: plus facile pour l'installation & ajustement de nivellement

1. Grade: SUS316, SUS316L, DUPLEX2205
2. Épaisseur de verre: 10mm - 13.52mm
3. Finition: Satin brossé ou poli miroir
4. Monté: Sol
5. Application: Escrime sans cadre & Balustrade

Exposition de produits:





Poli dans la couleur d'or:



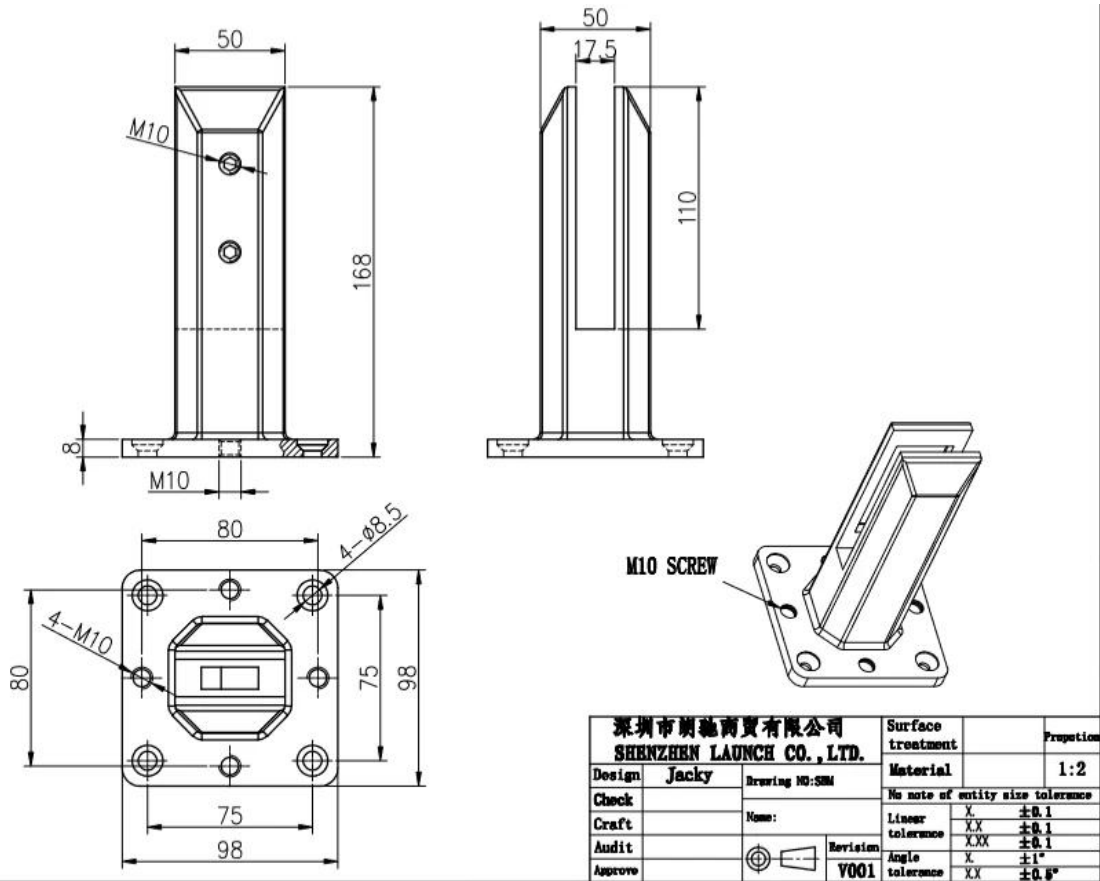
Satin-brossé:



Miroir poli:



Dessin:



Photos du projet:



SBM en finition satinée:





Shenzhen Launch Co., Ltd est une fabrication professionnelle avec la conception, la production et la vente de matériel en acier inoxydable, raccords de rampes de verre, accessoires balustrades et autres produits.

POURQUOI NOUS CHOISIR

Prix concurrentiel: Chine continentale fabrication

Bonne qualité: 14 ans d'expérience technique

Excellent service: 14 ans d'expérience à l'export dans le monde entier

Différents modèles sont disponibles selon les demandes des clients

Shenzhen Launch Co., Ltd was established in 2004, located at Nanshan District, Shenzhen, and one hour by car from Hongkong International Airport. Our main product is high-grade building materials includes stainless steel balustrade post, staircase handrail, balcony guardrail, swimming pool fence and other high-grade building materials. All the products are designed strictly according to the high-end market requirements. We have our own factory in Tangxia Town, Dongguan, has a variety of precision equipment more than 50 sets: CNC lathe, milling machine, punching machine, pipe cutter, argon welder, drilling machine, polisher, etc. which can provide customers with complete product processing services. With the German SPECTRO Spectrometer, we insist on testing every batch of materials to ensure that the material is highly qualified. We also have hardness gauge, secondary element and other test equipment to ensure the products meets customers' requirements.

ABOUT US

Our Team



OUR ADVANTAGE

Please do not hesitate to contact us if you have any requirement regarding our production lines, you can expect a timely reply with professional solutions!



Own factory, shortest lead time.



Can help customers design product drawings based on customer ideas and design engineering installation drawing according to the customer site sketch.



Sample order, trial order acceptable.



Provide material test report to ensure that the material is qualified.



13 years of industry experience, we can help customers recommend the best solution to help customers save cost.

OUR FACTORY

More than 13 years experience in hardware industry design and processing, we can provide customized services from design to the sample and small batch trial production.



OUR CERTIFICATE

With premium quality, competitive price and superior service, we won a lot of customers' favor.
Our products are popular in North America, European and Australia.



PRODUCTION PROCESS



Casting



CNC lathe



CNC Milling



Stamping



Drilling & Tapping

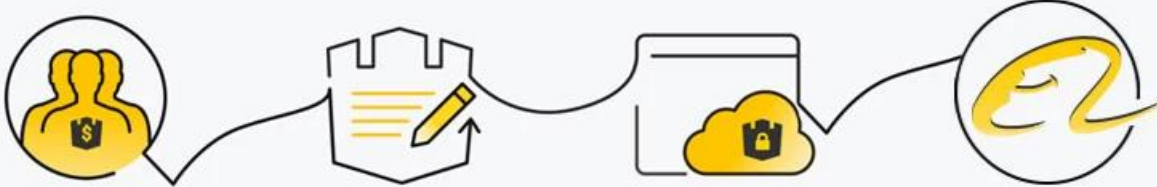


Polishing



PAYMENT & TRANSPORTATION

Welcome Alibaba Trade Assurance Order!



1 Start an order

2 Negotiate terms with our sales service & confirm order

3 Make payment

4 Alibaba provide full assurance



Emballage et & Livraison

Détails d'emballage:

1. Chaque spigot est enveloppé avec un film plastique et un sac gonflable, puis mis dans un carton.
2. 100 spigots sont emballés dans un boîtier en contreplaqué.
3. Peut également être emballé comme exigences des clients.

Détails de la livraison: 10-15 jours ouvrables après le paiement.

Contactez-nous maintenant pour plus d'informations!

Email: sales03@launch-china.cn

Portable: +8615907334556

KEBIL 科比奥® SHENZHEN LAUNCH CO.LTD
LAUNCH INTERNATIONAL LIMITED

Eve Chow

Sales representative

M : +86 159 0733 4556

T : +86 755 8603 7559

E : sales03@launch-china.cn

A : B5-5003, Yilida Bldg, Nanshan District, Shenzhen