

Γυαλί Spigot SBM Εισαγωγή:



SBM

Διάσταση:

Ύψος: 168MM?

Πλάτος: 50mm γύρο?

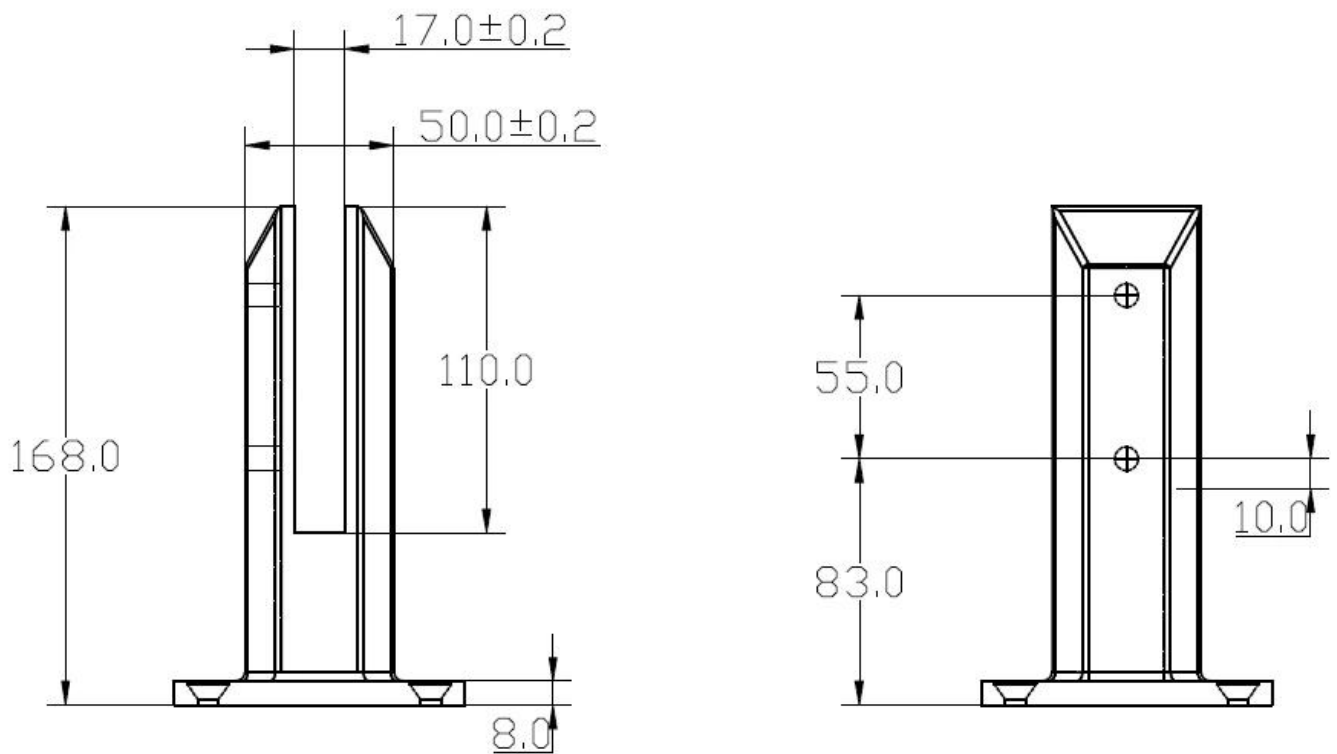
Groove ύψος: 110mm?

Αυλάκι προς τα κάτω: 58 χιλιοστά?

Διάμετρος βάσης: 98mm?

Διάμετρος της πλάκας Εξώφυλλο: 100mm?

2 x M8 grub screws, SS316 pressure plate, special high quality πυριτίου καουτσούκ φλάντζα.
100mm diameter dress ring/ cover plate to suit the round spigot for hiding visual fixings (cover plate must be used with installation).



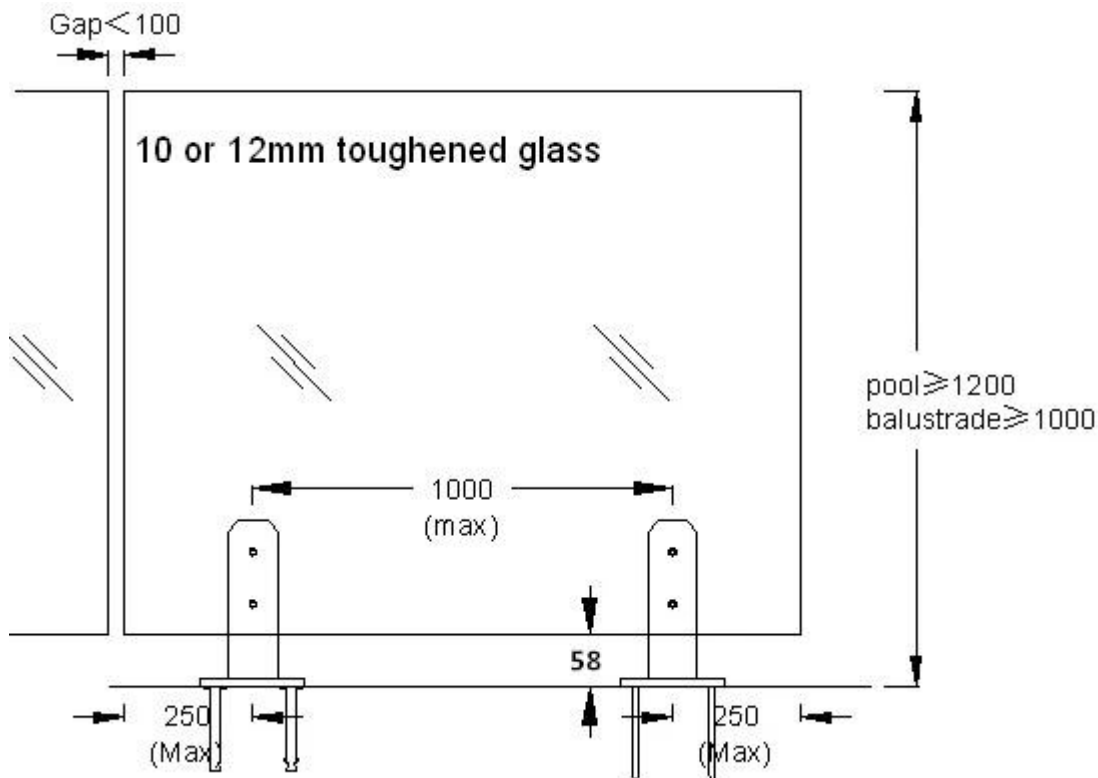
Υλικό:

Marine grade 316 Stainless Steel material to maximize the products life and appearance. This premium quality material is low carbon, αντισκουριακές - tough, durable, excellent resistance to corrosion, suitable for outdoor uses.

Επιφάνεια:

Finished with a fantastic high quality mirror polished finish.

Λήψη [Γυαλί spigot SBM τεχνικό σχέδιο](#) εδώ.



Γυαλί Spigot SBM Χαρακτηριστικό γνώρισμα:

- 1.Strong friction clamping system for NO HOLE glass, quick and easy to DIY Install. You can put as many clamps as you like along larger panels of glass.
- 2.Glass κάνουλες είναι στερεά ανοξείδωτο ατσάλι! Δεν Hollow!
- 3.Suits 10 Ή 12 χιλιοστά σκληρυμένο γυαλί.
- 4.Designed and manufactured according to to Australian Standard for swimming pool fencing safety, Australia Balustrade Standard AS& NZS.

Γυαλί Spigot SBM Εφαρμογή:

Stainless steel glass spigots used for fixing glass of swimming pool fencing walls for outdoor living, antirust and very durable.

Nice-

looking mini posts apply to support 10 or 12mm fully frameless glass for fence in home & garden.

Glass gator clamps for the construction of glass handrails for a beautiful stair balustrade or balcony.

Γυαλί Spigot SBM DIY εγκατάσταση:

- 1.Mark από την κεντρική γραμμή της προτεινόμενης γυαλί φράχτη.
- 2.Determine spigot location and mark out the hole positions, drill the required holes.
- 3.Bolt the base plated spigot into position using the expansion screws for concrete/pavings/tiles or timber screws for wooden decking.
- 4.Fit την πλάκα κάλυψης πριν από την εγκατάσταση γυαλιού.
- 5.Install the glass to the spigots and tighten the clamp with supplied Allen key.

Γυαλί Spigot SBM Συσκευασία:

Each glass spigot with 1 cover fitted is wrapped up with one air foam bag to protect from scratches.

Each spigot with foam bag is put into 1 carton box.

4 τεμ επέκτασης βίδες &

4 sets timber screws for installation wrapped by thick rubber hose is put together with 1 spigot.

Τα 4 μικρά κουτιά γεμάτα σε 1 μεγάλο χάρτινο κουτί.

1 set installation tool allen keys free supplied in 1 big box.

Each big carton box is individually wrapped up with wrapping film & packing tapes.