

Ανοξείδωτο χάλυβα Frameless γυάλινη πύλη πισίνας, πόρτες από ανοξείδωτο χάλυβα, για πύλη γυαλιού 8mm 10mm 12mm.

Χαρακτηριστικά της γυάλινης πόρτας πισίνας

Κώδικας	G-G
Διαθέσιμοι τύποι μεντεσέδων	Γυάλινο μεντεσέ, γυάλινο τοίχωμα, γυαλί για στρογγυλό μεντεσέ
Υλικό	316 από ανοξείδωτο χάλυβα
Ολοκληρώθηκε	Στιλβωμένο, βουρτσισμένο
Πάχος γυάλινης πόρτας	8-12mm

Φωτογραφίες από γυάλινη πόρτα πισίνας μεντεσέδες πόρτα πισίνας hardware-

Γυαλί σε γυάλινο μεντεσέ-



Γυαλί σε τοίχο αρθρωτό-



Γυαλί για στρογγυλά μεντεσέ-



Συσκευασία των φωτογραφιών από ανοξείδωτο χάλυβα Frameless γυαλί πίσίνας πυλώνες μεντεσέδες -



www.bunch-china.com

### Instructions for adjusting **Mount on Glass to Glass hinge**



**STEP 1**

Insert the hinge into the hole of the glass panel.

**STEP 2**

Push the hinge into the hole of the glass panel.

**STEP 3**

Adjust the hinge to fit snugly against the glass panel.





**KEB**

**SHENZHEN LAUNCH INTERNATIONAL LTD**

奥

**LTD**

奥  
SHENZHEN LAUNCH INTERNATIONAL LTD  
TEL: 86 755 2612 2000  
FAX: 86 755 2612 2001  
WWW.LAUNCH-CHINA.COM



<http://www.chinabalustrade.com>  
<http://www.launch-china.com>

to Glass hinge

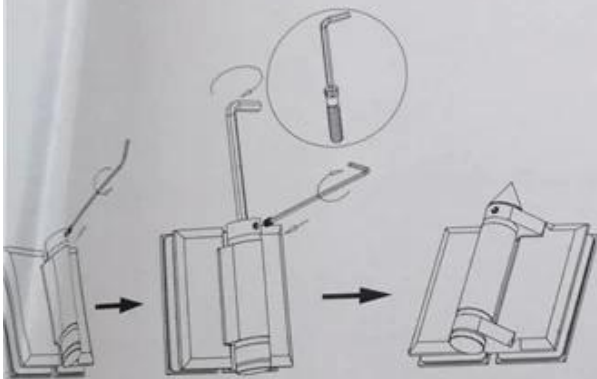


**STEP 3**

Turn the tension pin clockwise to the next hole in tension pin, then tighten the grub screw, repeat this process a Maximum of six times or 360°, Do not over tension.

side of  
ied.

Adjusting tension on Glass to Glass hinge



**STEP 2**  
Tighten the grub screw from side of hinge with Allen Key applied.

**STEP 3**  
Turn the tension pin clockwise to the next hole in tension pin, then tighten the grub screw, repeat this process a Maximum of six times or 360°, Do not over tension.







Εταιρικό Προφίλ -

Shenzhen Launch Co., Ltd was established in 2004, located at Nanshan District, Shenzhen, and one hour by car from Hongkong International Airport. Our main product is high-grade building materials includes stainless steel balustrade post, staircase handrail, balcony guardrail, swimming pool fence and other high-grade building materials. All the products are designed strictly according to the high-end market requirements. We have our own factory in Tangxia Town, Dongguan, has a variety of precision equipment more than 50 sets: CNC lathe, milling machine, punching machine, pipe cutter, argon welder, drilling machine, polisher, etc. which can provide customers with complete product processing services. With the German SPECTRO Spectrometer, we insist on testing every batch of materials to ensure that the material is highly qualified. We also have hardness gauge, secondary element and other test equipment to ensure the products meets customers' requirements.

## ABOUT US

### Our Team





# OUR ADVANTAGE

Please do not hesitate to contact us if you have any requirement regarding our production lines, you can expect a timely reply with professional solutions!



Own factory, shortest lead time.



Can help customers design product drawings based on customer ideas and design engineering installation drawing according to the customer site sketch.



Sample order, trial order acceptable.



Provide material test report to ensure that the material is qualified.



13 years of industry experience, we can help customers recommend the best solution to help customers save cost.

# OUR FACTORY

More than 13 years experience in hardware industry design and processing, we can provide customized services from design to the sample and small batch trial production.



# OUR CERTIFICATE

With premium quality, competitive price and superior service, we won a lot of customers' favor.  
Our products are popular in North America, European and Australia.





# PRODUCTION PROCESS



Casting



CNC lathe



CNC Milling



Stamping



Drilling & Tapping



Polishing



# ***PACKAGING & DELIVERY***





# PAYMENT & TRANSPORTATION

Welcome Alibaba Trade Assurance Order!



- 1 Start an order
- 2 Negotiate terms with our sales service & confirm order
- 3 Make payment
- 4 Alibaba provide full assurance



# FAQ

## 1. What materials do you have?

SS304, SS316, SS316L, Duplex 2205, etc.

## 2. Can you send me your whole price list?

Sorry, as the price related to many factors, such as quantity, material type, surface treatment and so on, we will offer you exact quote after we confirm your detailed requirements.

## 3. Do you offer OEM & ODM service?

Yes, we can make the products according to your technical drawings or samples, we are professional in investment casting, die casting, stamping, CNC machining, etc.

## 4. What kind of payment you accept?

T/T, L/C, PayPal, West Union, etc.

## 5. What is your payment term?

TT(30/70) or LC at sight.

## 6. What is your delivery time?

Within 5 workdays for hot-sale items, 15-25 workdays for batch orders.

## 7. Do you offer after-sales service?

Of course, any question after you purchase our products, we will get back to you within 24 hours.

## CONTACT US

WELCOME TO CONTACT US. WE WILL DO OUR BEST TO HELP YOU!



CELIA CHEN



Email : [sales01@launch-china.cn](mailto:sales01@launch-china.cn)



Skype : launch-01



Mob. 86-13590273543





