

Balaustra in acciaio inossidabile con sistema di balaustra a bottoni in vetro

specifiche tecniche:

Prodotto nome	Balaustra a bottoni in vetro, ringhiera in vetro per standoff, cavalletto per ringhiere in vetro, bulloneria in vetro
Materiale	Acciaio inossidabile 316/304
Trattamento della superficie	Satinato spazzolato o lucidato a specchio
Dimensione	Cappuccio da 50 * 12 mm, corpo da 50 * 30 mm
Guarnizione in gomma siliconica	Incluso
Per lo spessore del vetro	10-19mm
Mouting a	Substrato in legno o cemento

Luoghi di applicazione: ringhiera in vetro per esterni e sistema di ringhiera in vetro per interni

Aree di applicazione:

ringhiera in vetro per balcone

design ringhiera in vetro scala

progettazione di inferriate del vetro della terrazza ecc.

Dia 50mm Vetro Standoff / Button in **Satin Finish**:



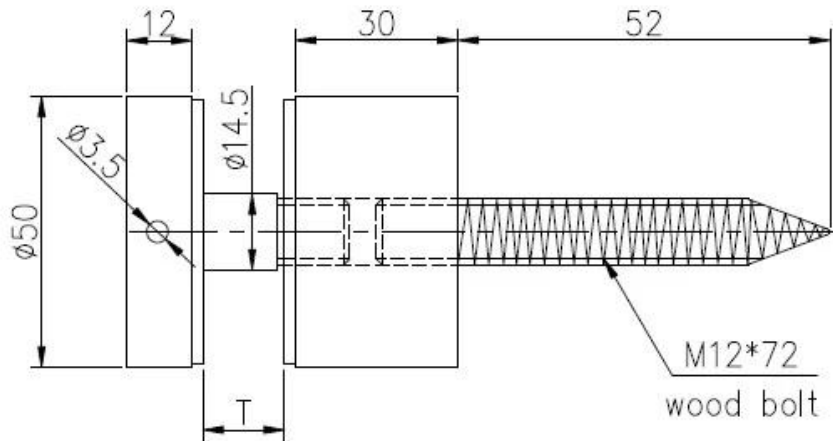
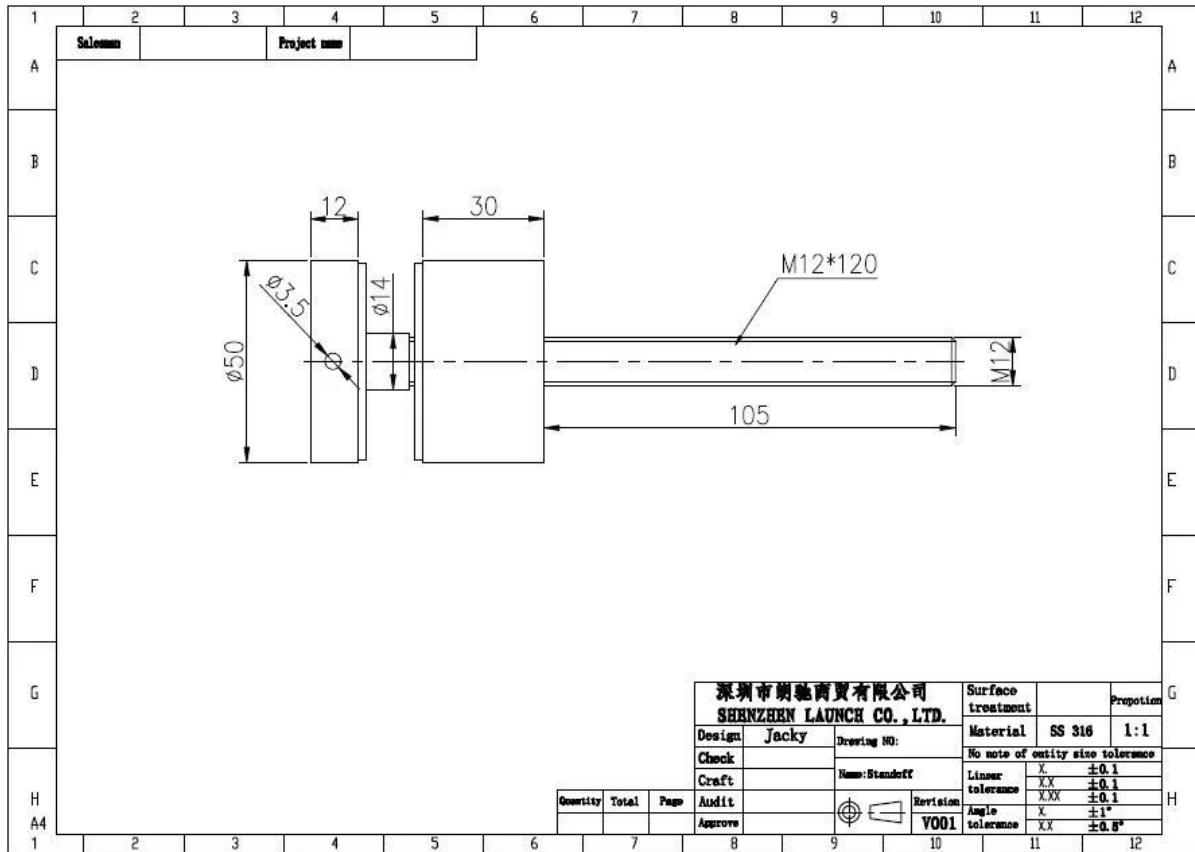
Dia 50mm Vetro Standoff / Button in **Finitura a specchio**:



Con vite per legno per il montaggio su substrato di legno:



Disegno tecnico:



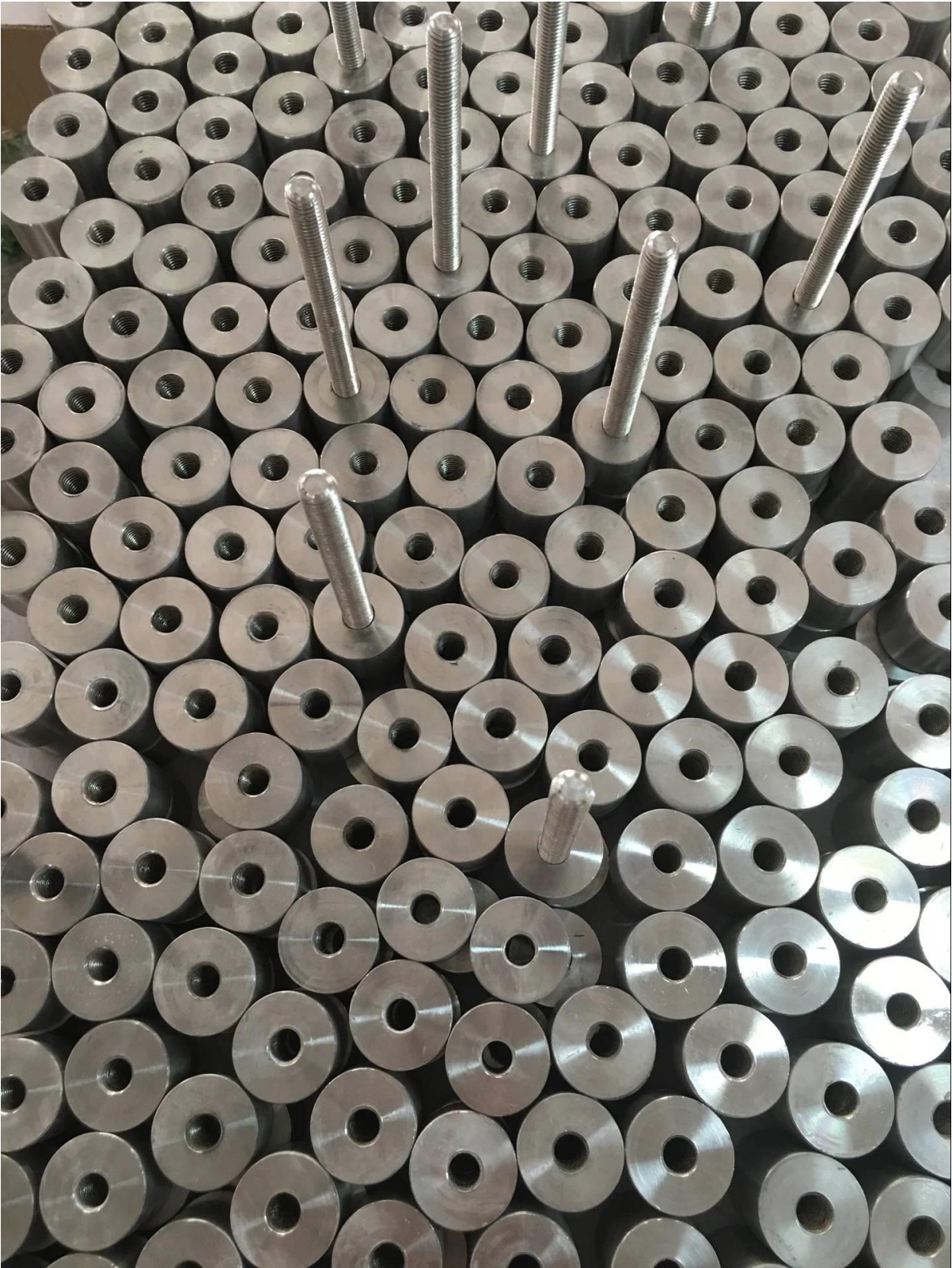




Foto del progetto:

Balaustra in acciaio inossidabile con sistema di balaustra a bottoni in vetro

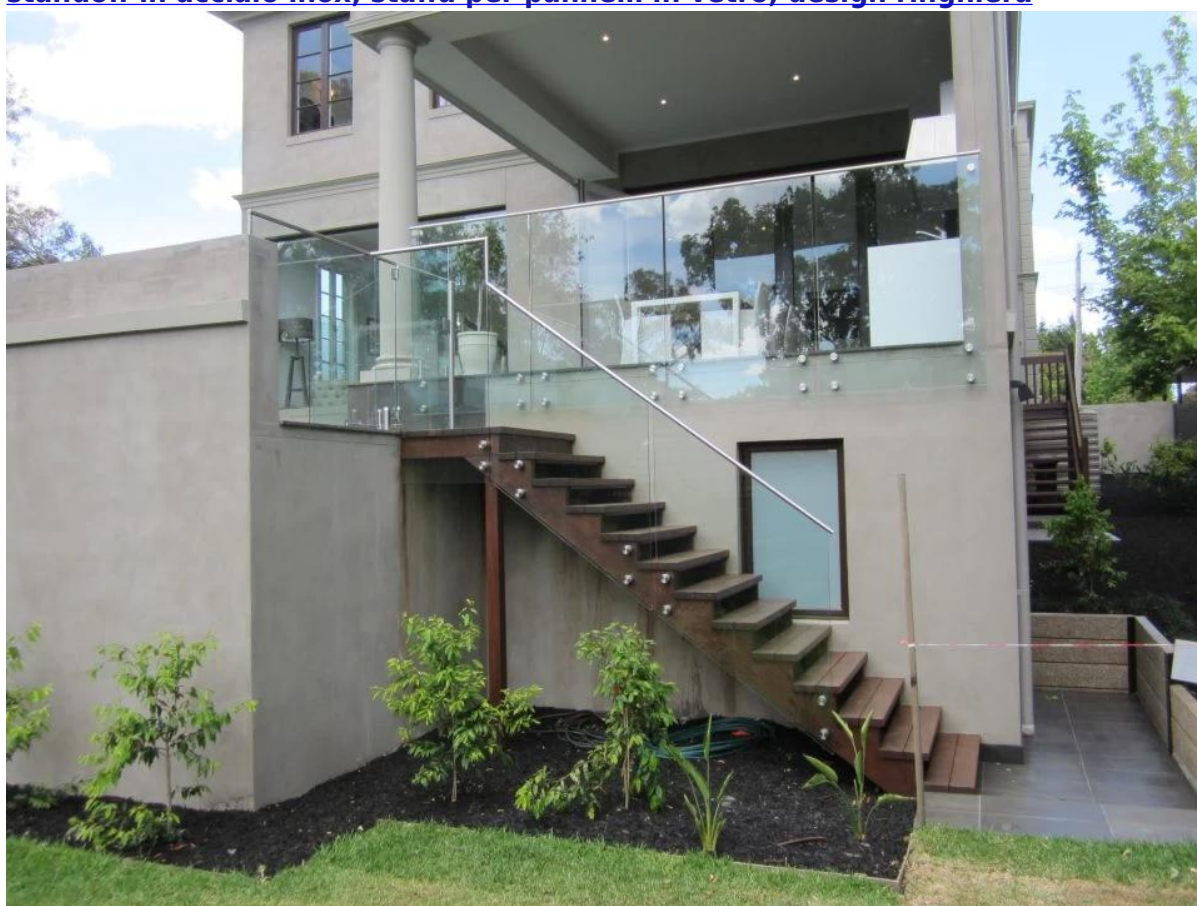




[Standoff di vetro in acciaio inossidabile per balaustra in vetro senza telaio](#)



standoff in acciaio inox, staffa per pannelli in vetro, design ringhiera



Informazioni sull'azienda:

Shenzhen Launch Co., Ltd was established in 2004, located at Nanshan District, Shenzhen, and one hour by car from Hongkong International Airport. Our main product is high-grade building materials includes stainless steel balustrade post, staircase handrail, balcony guardrail, swimming pool fence and other high-grade building materials. All the products are designed strictly according to the high-end market requirements. We have our own factory in Tangxia Town, Dongguan, has a variety of precision equipment more than 50 sets: CNC lathe, milling machine, punching machine, pipe cutter, argon welder, drilling machine, polisher, etc. which can provide customers with complete product processing services. With the German SPECTRO Spectrometer, we insist on testing every batch of materials to ensure that the material is highly qualified. We also have hardness gauge, secondary element and other test equipment to ensure the products meets customers' requirements.

ABOUT US



OUR ADVANTAGE

Please do not hesitate to contact us if you have any requirement regarding our production lines, you can expect a timely reply with professional solutions!



Own factory, shortest lead time.



Can help customers design product drawings based on customer ideas and design engineering installation drawing according to the customer site sketch.



Sample order, trial order acceptable.



Provide material test report to ensure that the material is qualified.



13 years of industry experience, we can help customers recommend the best solution to help customers save cost.

OUR FACTORY

More than 13 years experience in hardware industry design and processing, we can provide customized services from design to the sample and small batch trial production.



OUR CERTIFICATE

With premium quality, competitive price and superior service, we won a lot of customers' favor.
Our products are popular in North America, European and Australia.



PRODUCTION PROCESS



Casting



CNC lathe



CNC Milling



Stamping



Drilling & Tapping

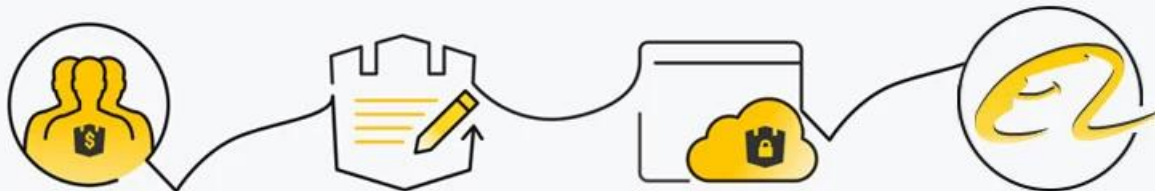


Polishing



PAYMENT & TRANSPORTATION

Welcome Alibaba Trade Assurance Order!



1 Start an order

2 Negotiate terms with our sales service & confirm order

3 Make payment

4 Alibaba provide full assurance



Contattaci ora per maggiori informazioni!

Email: sales03@launch-china.cn

Mob: +8615907334556