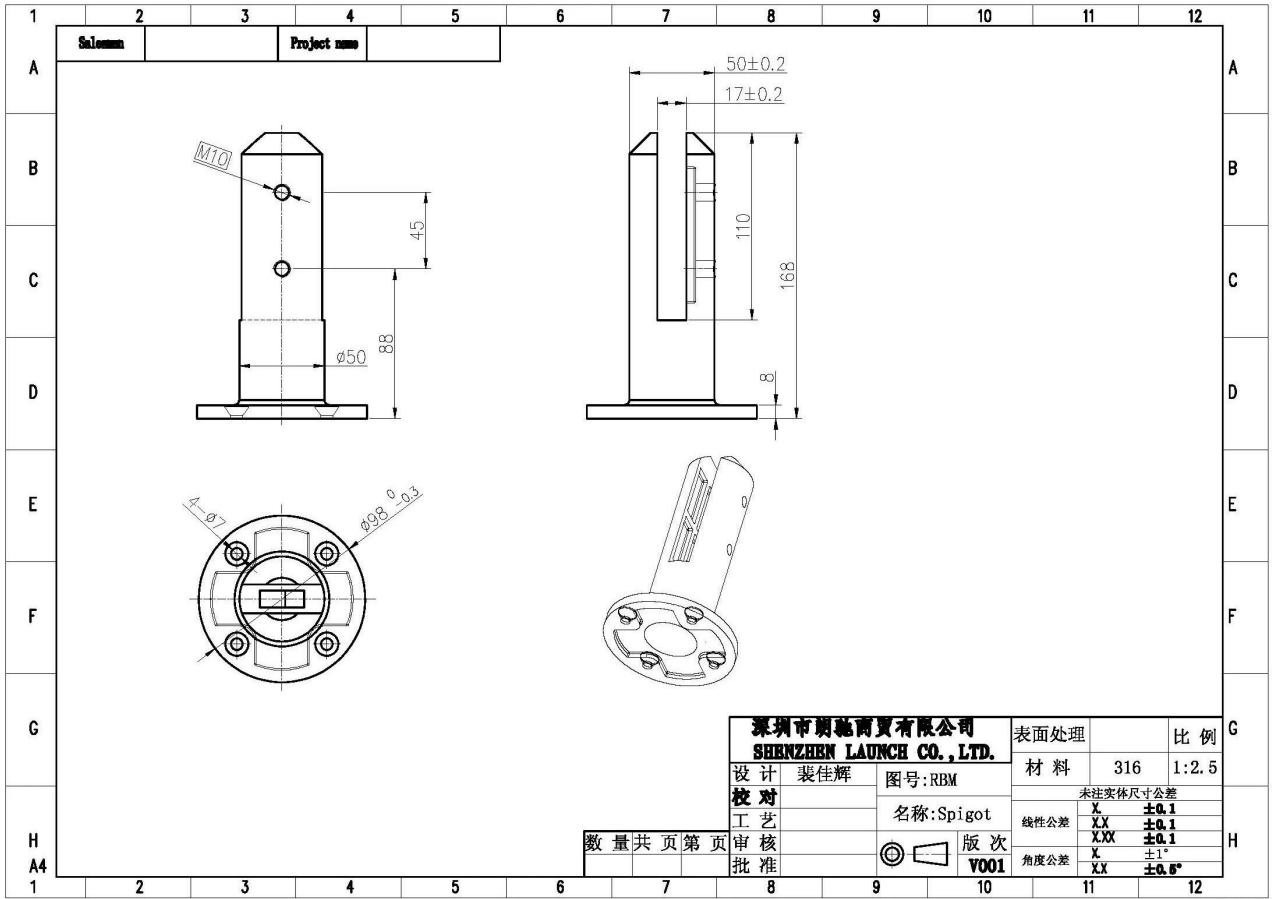


Rubinetti in vetro quadrati in acciaio inossidabile Recinzione per piscina Morsetto per rubinetti Casa Giardino Scale Balastra Ringhiera Balcone Morsetto per pavimento in vetro.

Modello numero:	SBM
Peso per pz	1,47 kg/set
Imballaggio	1 pz in una scatola bianca; 12 pezzi in un cartone 365*330*230mm
Materiale	Duplex 2205 ; SS316; SS 304
Fine	Nero , Specchio , Raso
Spessore del vetro	10 mm-17,52 mm
Appy	piscina di vetro, giardino di vetro, balastra, scala e così via
Processo produttivo	Fusione di precisione
MOQ	2 pz
Tempi di consegna	3 giorni - 15 giorni





Rapporto di prova del materiale SS duplex 2205-



12/16/2020 5:54:18 PM

Method: Fe-30
 Comment: Cr-, Cr/Ni-steel
 Type Standard 18--8

12/16/2020 5:54:09 PM

Type corr.concentr.

Sample Name:

Sample ID:

	C	Si	Mn	P	S	Cr	Mo	Ni
	%	%	%	%	%	%	%	%
< x > (1)	0.0224	0.8873	1.1010	0.0263	0.0032	21.6796	3.0718	5.5691

	Al	Co	Cu	Nb	Ti	V	W	Pb
	%	%	%	%	%	%	%	%
< x > (1)	< 0.0005	0.0797	0.1603	< 0.0002	0.0044	0.0893	0.0305	< 0.0002

	Sn	Sb	B	N	Fe			
	%	%	%	%	%			
< x > (1)	0.0092	< 0.0004	0.0024	0.1024	67.1600			

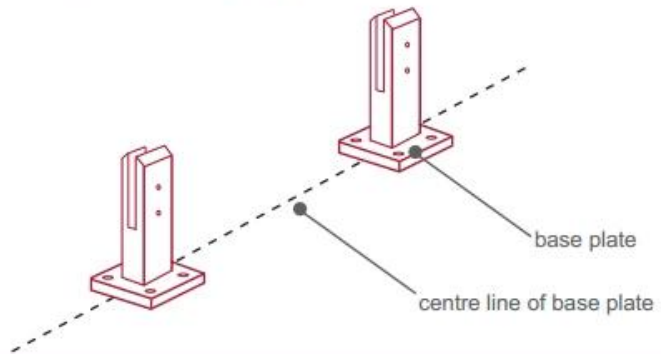
Istruzioni per l'installazione del morsetto per rubinetto per recinzione per piscina in vetro quadrato in acciaio inossidabile -



fixing method: base plate spigots

Mark out the centre line of proposed glass fence with a chalk line. Determine clamp location based on a sheet size (recommendation on pages 1 & 2). Use base plate as a template to mark out the hole positions and drill holes to suit.

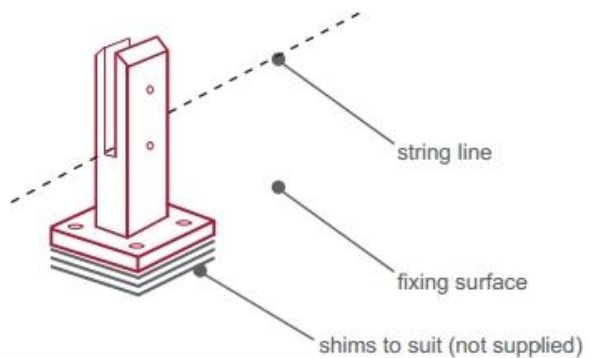
Note: Do not exceed 100mm gaps between glass panels. Optimum gap is 40mm to 60mm



Now the base plated spigots can be fitted to the floor and plumbed via shims (not supplied) under the base plates. Be sure to tighten firmly as the smallest of movement at the base plate will result in noticeable movement at the bottom of the glass fence.

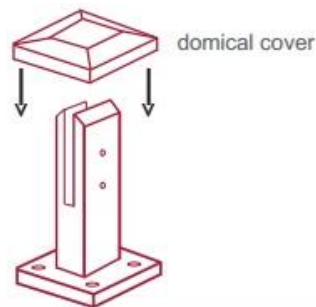
Tip: By setting the two outer spigots of your total span, a string line can be run in the 'throat' of the spigots, giving correct height for all spigots in between

Note: Do not exceed 100mm gap from the fixing surface to the bottom of the glass



When all spigots are installed, slip domical cover the top of the spigot to hide fixings. It will be necessary to turn the adjustment screws on the spigot face all the way in to allow cover to pass over

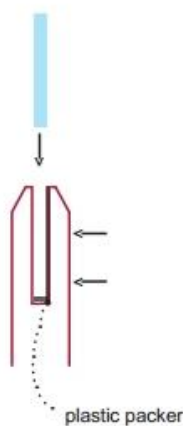
Note: Same installation method applies to round base plate spigot



The glass is then installed to the spigots. Place plastic packers between glass & spigot, at no stage should glass touch the metal

How adjustability works:

1. Place glass in spigot
2. Fix/ tension glass both sides with allen key



Installazione del progetto Foto di rubinetti in vetro quadrato in acciaio inossidabile Morsetto per rubinetto per recinzione per piscina-







