

**Il lancio di Shenzhen è stato fondato dal 2004, e siamo fornitore di Gold SGS per 16 anni. Siamo produttori e fornitori affidabili.**

## COMPANY INTRODUCTION

Verification Type: Supplier Assessment Onsite Check

<b>Country / Region:</b> Guangdong, China ✓	<b>Year Established:</b> 2004 ✓	<b>Main Products:</b> CNC Machining Parts, Stamping Pa... ✓
<b>Main Markets:</b> North America, Oceania, Mid East... ✓	<b>Total Annual Revenue:</b> confidential ✓	<b>Total Employees:</b> 11 - 50 People ✓

Alibaba.com Gold Plus Supplier

### Main Product Lines Verification Report

Presented to

**Shenzhen Launch Co., Ltd.**

深圳市朗驰商贸有限公司

Company Address	B5003, Building 3, Yilida Building, No. 1092 Nanshan Avenue, Dengliang Community, Nanshan Street, Nanshan District, Shenzhen City, Guangdong Province, China
Consigner of Assessment:	Alibaba
Gold Supplier Member ID:	launch168
Gold Supplier Company Name:	Shenzhen Launch Co., Ltd.
Contact Person:	Mr. Binfeng Gao
Phone Number:	0086-13802569770
Fax Number:	0086-755-86372611
Email:	gbf990@china.com
Website Address (URL):	http://launch-china.en.alibaba.com

Service Provided by SGS  
Report No.: 19536352\_P+T



Alibaba.com Gold Plus Supplier

**Verified**

### Assessment Report

Presented to

**Cooperation Company of Shenzhen Launch Co., Ltd.**

深圳市朗驰商贸有限公司合作工厂

Gold Supplier & Assessed Company Relationship:	<input type="checkbox"/> Self-owned <input type="checkbox"/> Wholly Owned <input type="checkbox"/> Shareholder/Partner <input type="checkbox"/> Kindred between Owners <input checked="" type="checkbox"/> Cooperation Partner
Company Address	Confidential
City / Country:	Huzhou / China
Consigner of Assessment:	Alibaba & Shenzhen Launch Co., Ltd.
Gold Supplier Member ID:	launch168
Gold Supplier Company Name:	Shenzhen Launch Co., Ltd.
Contact Person:	Confidential
Phone Number:	Confidential
Fax Number:	Confidential
Email:	Confidential
Website Address (URL):	http://launch-china.en.alibaba.com

Service Provided by SGS  
Report No.: 19552720\_P



## WHY CHOOSE US



### 15 YEARS EXPERIENCE

We have been manufacturing railing hardware since 2004.



### ONE STOP SERVICE

We provide integrated railing solutions. We manufacture. We deliver.



### PROFESSIONAL R&D TEAM

We have engineering experts for developing new products.



### TOP QUALITY & GOOD PRICE

We are strict on quality control as well as cost evaluation.



## ABOUT US

Shenzhen Launch Co., Ltd was established in 2004, located at Nanshan District, Shenzhen, and one hour by car from Hongkong International Airport. Our main products are high-grade building materials including stainless steel balustrade post, staircase handrail, balcony guardrail, swimming pool fence and other high-grade building materials. All the products are designed strictly according to the high-end market requirements. We have our own factory in Tangxia Town, Dongguan, with more than 50 sets of various precision equipments, such as CNC lathe, milling machine, punching machine, pipe cutter, argon welder, drilling machine, polisher, etc. which can provide customers with complete product processing services.

## ProdottoMostrare

<b>Nome del prodotto</b>	Tenditore per cavi per 2 pollici o tubo da 1,5 pollici
<b>Numero di modello.</b>	T808.
<b>Materiale</b>	SS304 / SS316.
<b>Finitura superficiale</b>	Raso / specchio / altri
<b>Diametro del cavo</b>	4mm, 5mm, 6mm
<b>Applicazione</b>	Sistema di ringhiera dei cavi interni ed esterni

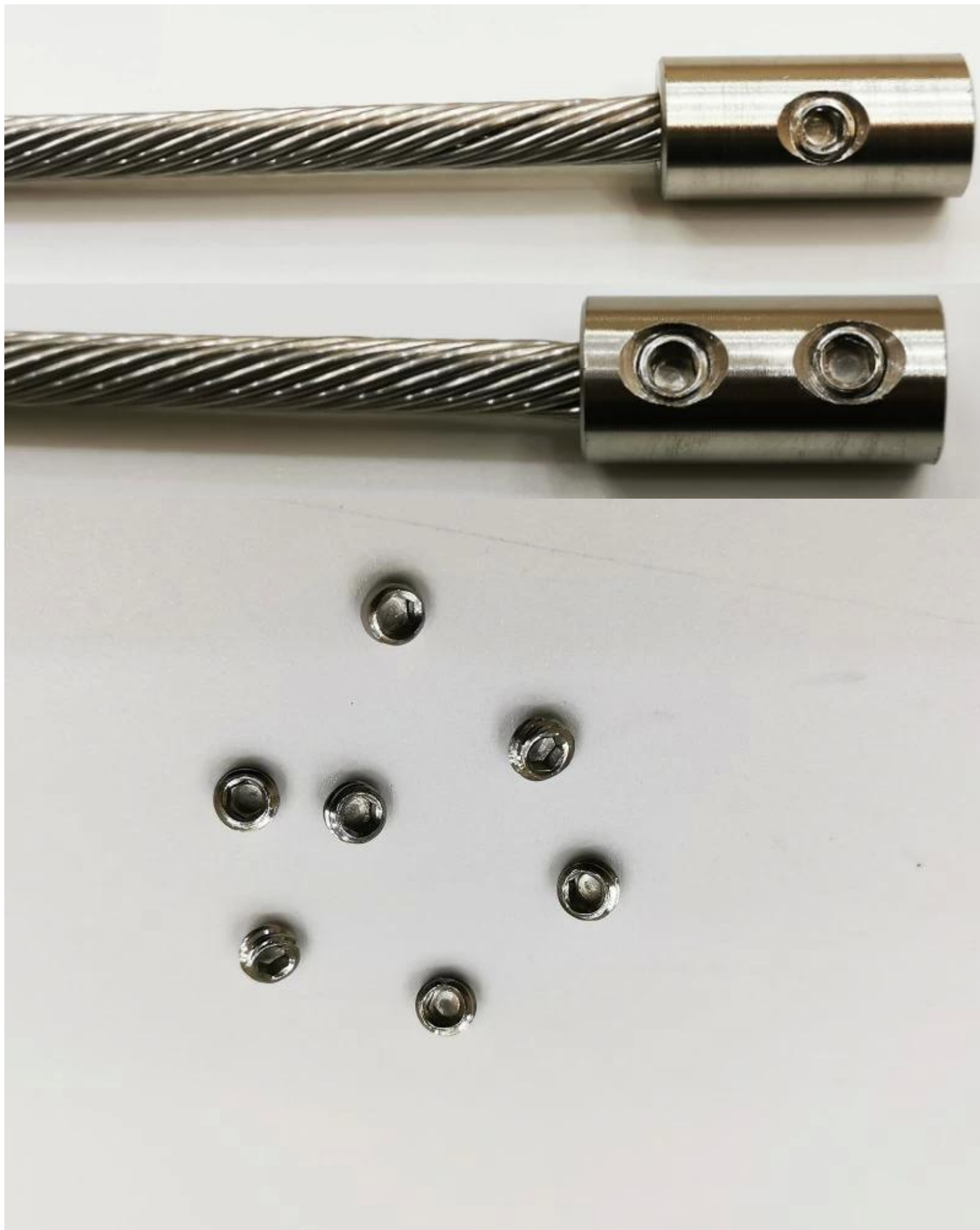
**Superficie spazzolata satinata**



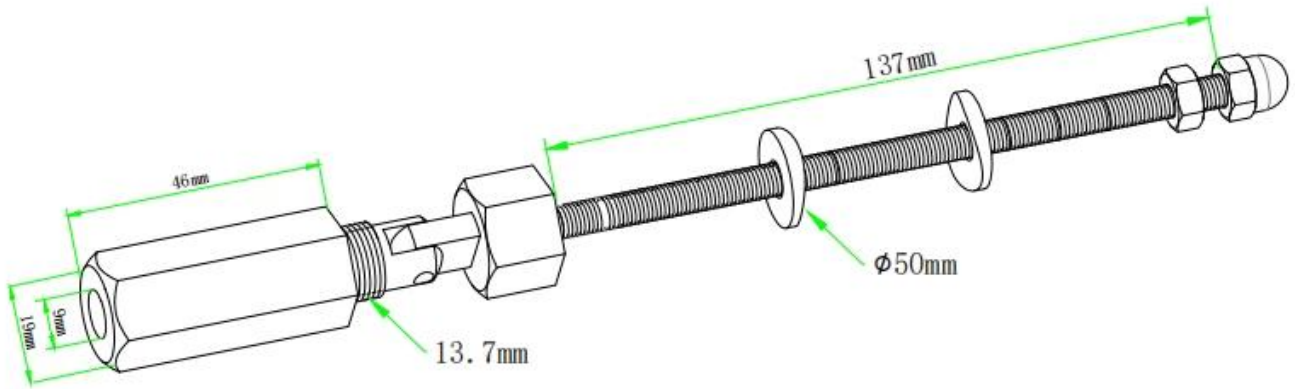
**Specchio lucido superficie**



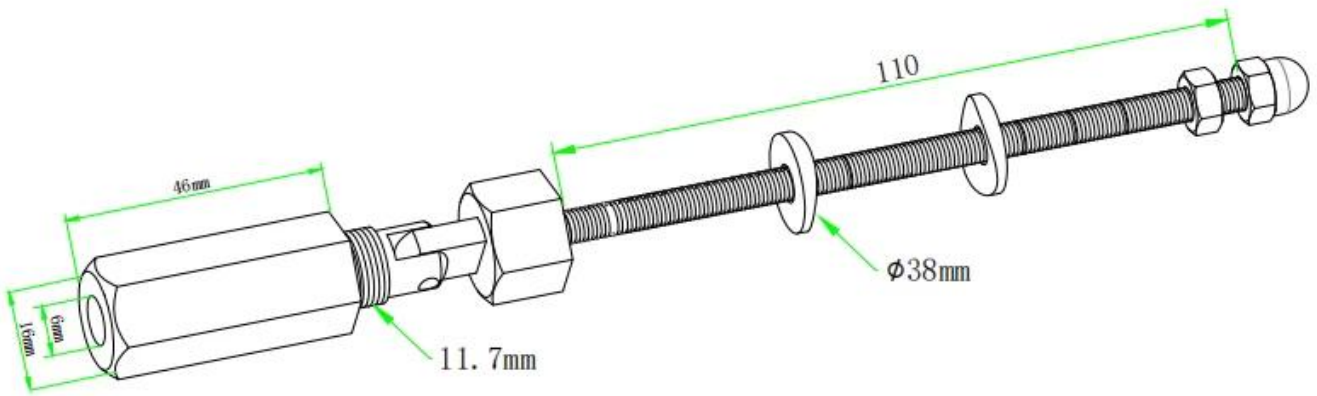
**Componenti interni, tre viti M5 \* 4 e M5 \* 3 per premere la corda del filo**



**Disegno per tendicinghe del cavo di grandi dimensioni**



**Disegno per piccolo tenditore per cavi**



**Come usarlo con tubo**





**MassaProduzione e imballaggio**

KL BALU 比奥®

SHENZHEN LAUNCH CO., LTD  
LAUNCH INTERNATIONAL LIMITED



<http://www.chinabalustrade.com>  
<http://www.launch.com.cn>



**AltroTipidicavotenditorinoi siamoa disposizione**



Come installare il tenditore del cavo T803

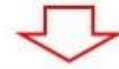


## T803 cable fitting, installation instructions

Type 1: without hydraulic crimper



Type 2: with hydraulic crimper



Mount to steel or  
concrete



Wood screws,  
for wood mount

Hydraulic crimper



Altri prodotti per costruire la ringhiera dei cavi

**Cavo:**

**Sono disponibili 3 mm, 4 mm, 5 mm, 6 mm e altre dimensioni**



Post della ringhiera dei cavi



**Square post, vertical mount**  
40\*40mm, 50\*50mm recommended



**Round post, vertical mount**  
Dia.: 42.4mm, 50.8mm recommended



**Round post, side mount**  
Dia.: 42.4mm, 50.8mm recommended

Progettomostrare









**KEBIL** 科比奥®





**Dovresti avere alcune richieste per loro, non esitare a contattarmi**

**Frank Fang.**

**Email: [sales02@launch-china.cn](mailto:sales02@launch-china.cn).**

**Telefono / Whatsapp / WeChat: +86 159 0626 1741**