

Il lancio di Shenzhen può produrre cerniere a molla a molla per la piscine Frecia in vetro, una cerniera in vetro a una coppia può trasportare il cancello di vetro da 30 kg, lo spessore della parete del cancello preferisce 8-12mm. Qui introdotto sotto diversi tipi per la tua recensione. Benvenuto le tue richieste.

Mostra prodotto

Spring loaded hinges

Stainless steel spring loaded hinges

-Made of SS 316

- For use of 8-12.76mm glass

Maximum door leaf weight : 30 kg /pair

Maximum door leaf width : 900mm

Spring can be adjusted for closing speed control .



Part # G-G



Part # G-R



Part # G-W

SHENZHEN LAUNCH CO., LTD

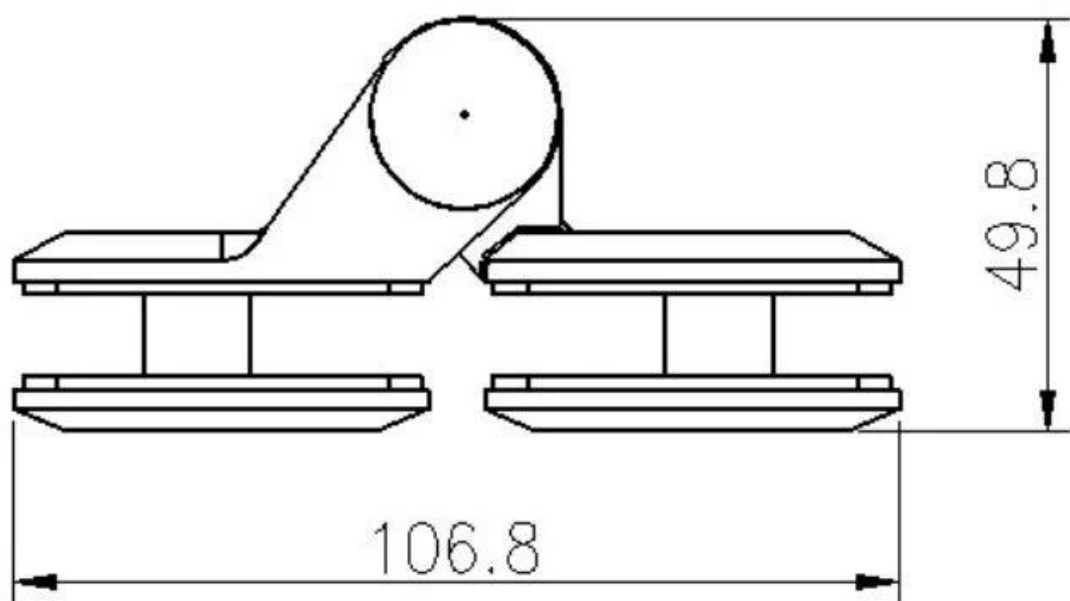
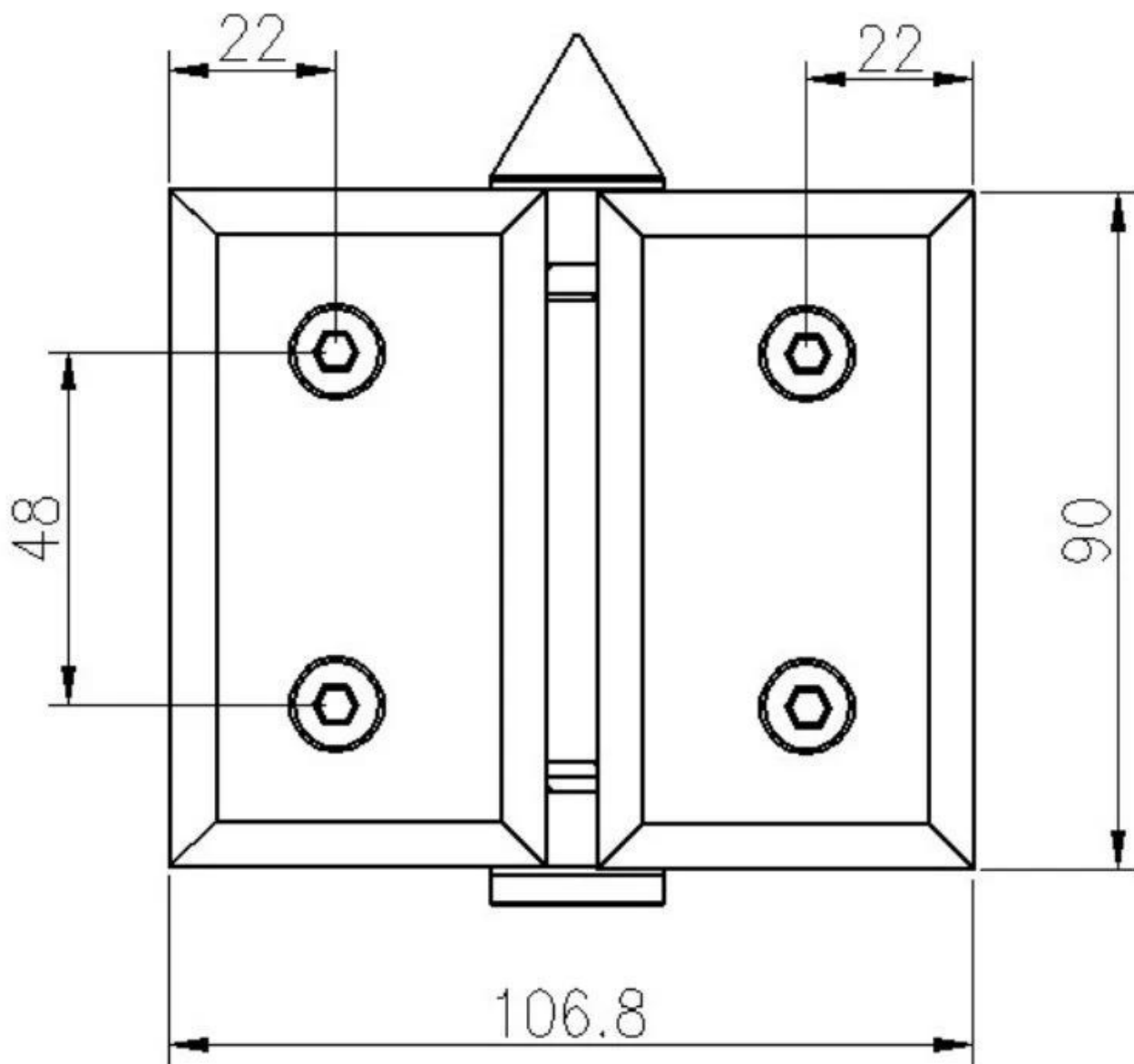
1

Tipo di vetro a vetro

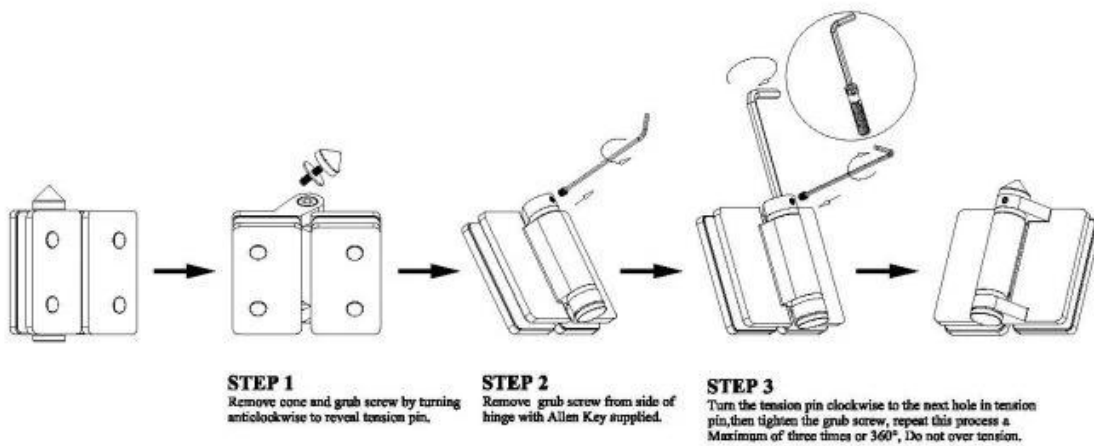
Modello numero.:G-G.

KEBIL 科比奥®





Instructions for adjusting tension on Glass to Glass hinge

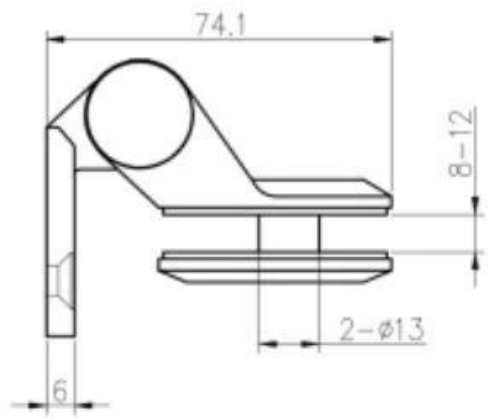
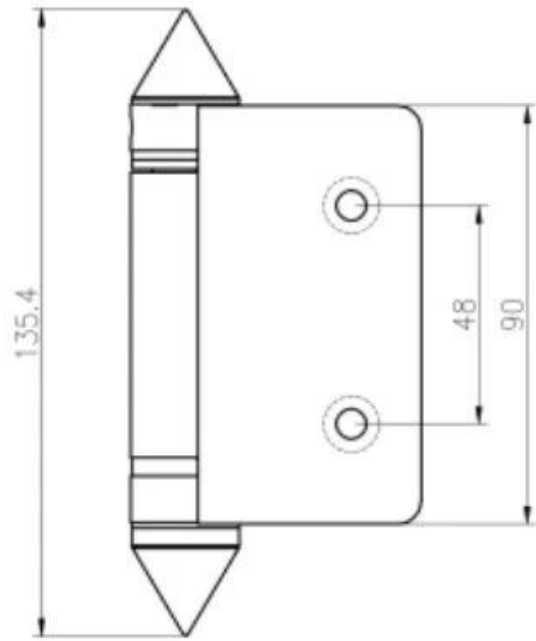
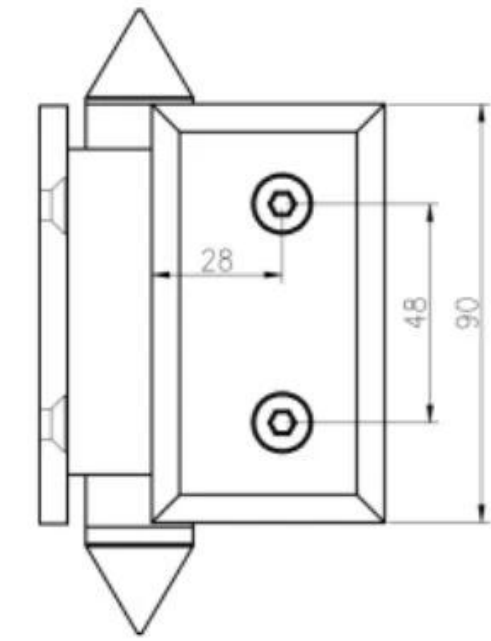


Tipo di vetro a parete

Modello numero.:G-W.

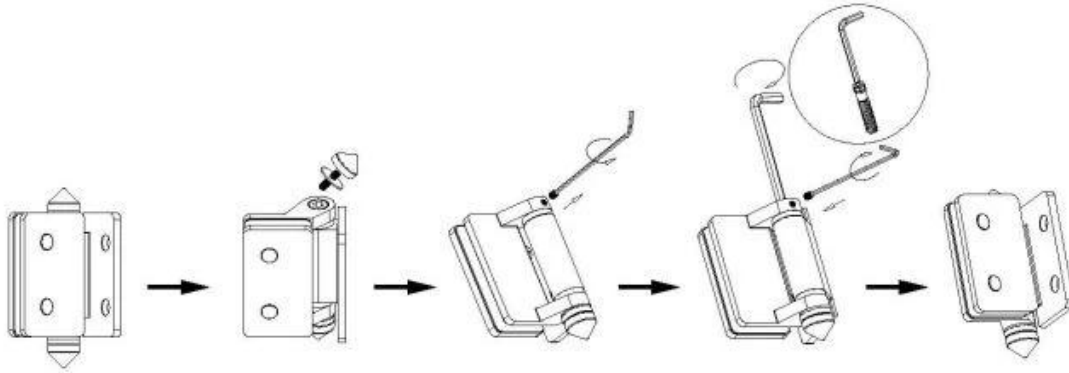
KEBIL 科比奥®





G-W

Instructions for adjusting tension on Glass to Wall hinge



STEP 1

Remove cone and grub screw by turning anticlockwise to reveal tension pin.

STEP 2

Remove grub screw from side of hinge with Allen Key supplied.

STEP 3

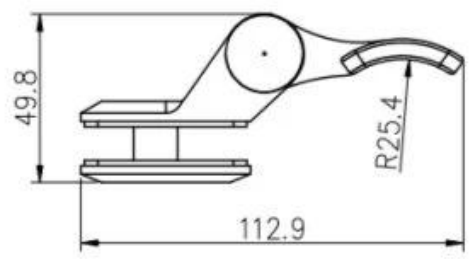
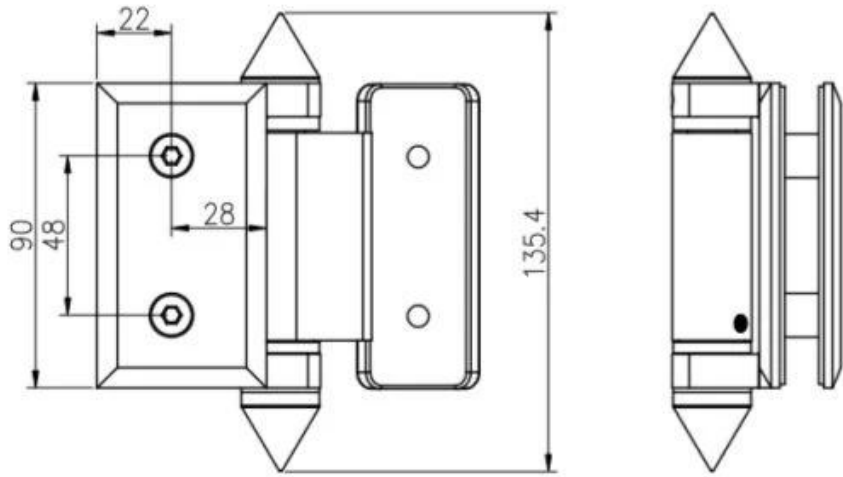
Turn the tension pin clockwise to the next hole in tension pin, then tighten the grub screw, repeat this process a Maximum of three times or 360°, Do not over tension.

Tipo di vetro a rotondo

Modello numero.:G-R.

KEBIL 科比奥®

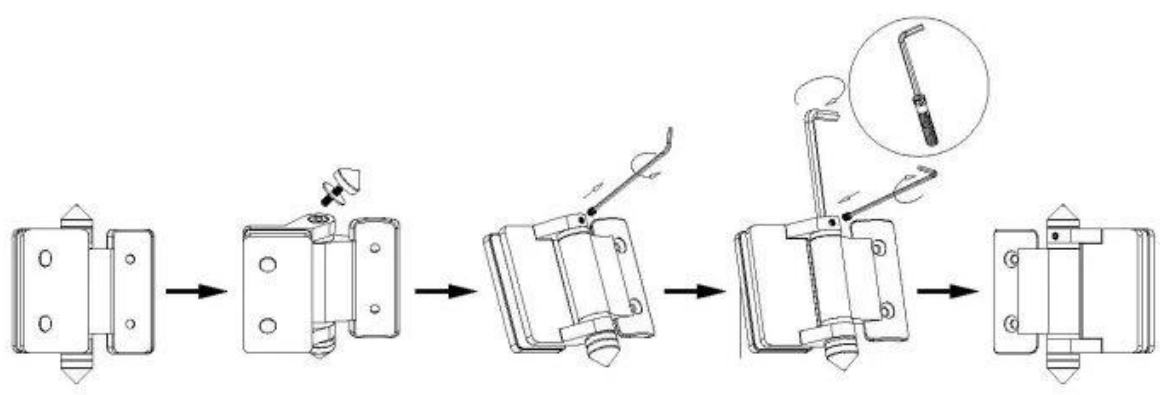




深圳市朗驰商贸有限公司 SHENZHEN LAUNCH CO., LTD.		表面处理	比例
设计	Jacky	材料	1:1.5
校对	图号:G-R	未注实体尺寸公差	
工艺		X	±0.1
审核		XX	±0.1
批准	版次	XXX	±0.1
	V001	X	±1°
		角度公差	XX
			±0.5°



Instructions for adjusting tension on Glass to Round post hinge



STEP 1
Remove cone and grub screw by turning anticlockwise to reveal tension pin.

STEP 2
Remove grub screw from side of hinge with Allen Key supplied.

STEP 3
Turn the tension pin clockwise to the next hole in tension pin, then tighten the grub screw, repeat this process a Maximum of three times or 360°, Do not over tension.

Produzione di massa





ImballaggioPittoresco

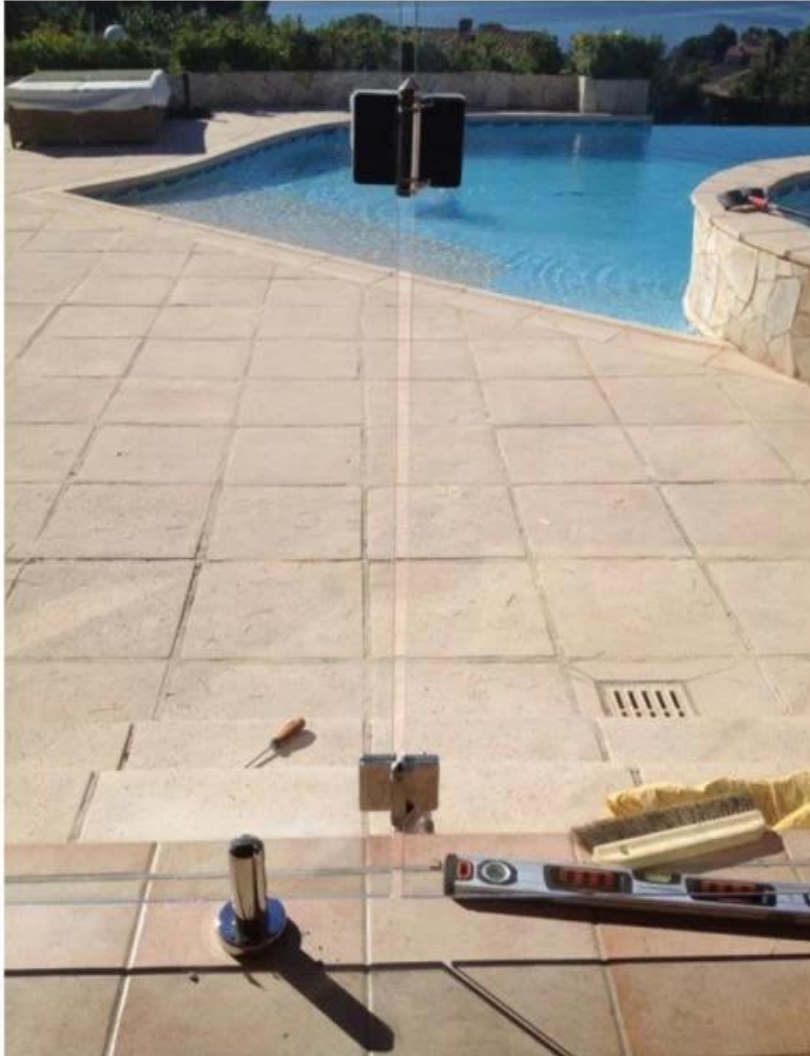


Application Picturer.





KEBIL 科比奥® SHENZHEN LAUNCH CO.LTD
LAUNCH INTERNATIONAL LIMITED



Altrorelazionatoprodotti

Spring loaded hinges

Stainless steel spring loaded hinges

-Made of SS 316

- For use of 8-10mm glass

Maximum door leaf weight : 20 kg /pair

Maximum door leaf width : 900mm

Spring can be adjusted for closing speed control .



Part # G-G2



Part # G-R2



Part # G-W2



G-G 1



G-R 1



G-W 1

Glass to glass hinge



Glass to round post hinge



Glass to wall hinge



Latch for round post



Latch for glass



Latch for wall



launch-china.en.alibaba.com

180 degree shower hinge
glass to glass hinge



90 degree shower hinge
wall to glass hinge



Se avete interessi, non esitare a contattarmi.

Frank Fang.

Telefono / WeChat / Whatsapp: +8615906261741

Email: sales02@launch-china.cn.