

duplex 2205 acciaio inossidabile piastra di vetro piastra per ringhiere in vetro senza cornice per piscina, baclony, terarce, scala, ecc.

Descrizione del prodotto

Prodotto Mame	duplex 2205 piastra in acciaio inox piatto ponte in vetro
Materiale	Acciaio inossidabile 316 / duplex 2205
finire	Specchio lucido / satinato spazzolato
Per Glass Thickness	8-13.52mm
Altezza	168 millimetri
dimensione base del filo	100x100mm
Peso netto	1.577kg / piece
Metodo di fabbricazione	Casting (alta qualità)
dettagli sul confezionamento	1) Un pezzo in un sacchetto bolla, quindi in una scatola bianca 2) 12 pezzi in scatola di cartone 365x330x230mm 3) Imballaggio come requisiti dei clienti
Applicazione	Recinzione della piscina, ringhiera di vetro del balcone, deck senza cornice ringhiera in vetro, scale
Certificazione	sì. Meet Australia e Nuova Zelanda norme
Sampio	A disposizione
MOQ	1 pc
OEM & ODM Servizio	A disposizione

duplex 2205 piastra in acciaio inox piatto ponte in vetro Destails

1) Disegno tecnico di attacco di vetro



2) duplex 2205 piastra in acciaio inox piatto ponte di vetro

KEBIL 科比奥®







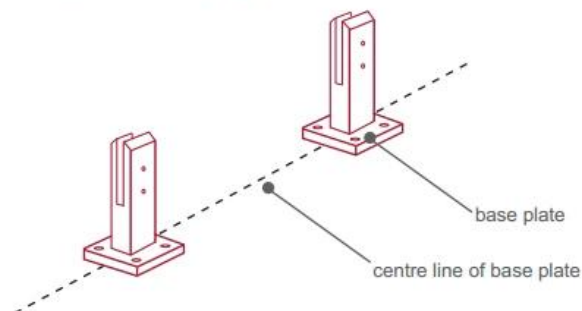
3) Guida all'installazione per il giunto quadrato in acciaio inox duplex 2205



fixing method: base plate spigots

Mark out the centre line of proposed glass fence with a chalk line. Determine clamp location based on a sheet size (recommendation on pages 1 & 2). Use base plate as a template to mark out the hole positions and drill holes to suit.

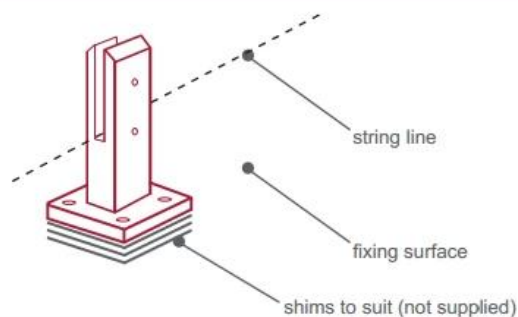
Note: Do not exceed 100mm gaps between glass panels. Optimum gap is 40mm to 60mm



Now the base plated spigots can be fitted to the floor and plumbed via shims (not supplied) under the base plates. Be sure to tighten firmly as the smallest of movement at the base plate will result in noticeable movement at the bottom of the glass fence.

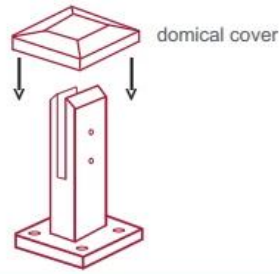
Tip: By setting the two outer spigots of your total span, a string line can be run in the 'throat' of the spigots, giving correct height for all spigots in between

Note: Do not exceed 100mm gap from the fixing surface to the bottom of the glass



When all spigots are installed, slip domical cover the top of the spigot to hide fixings. It will be necessary to turn the adjustment screws on the spigot face all the way in to allow cover to pass over

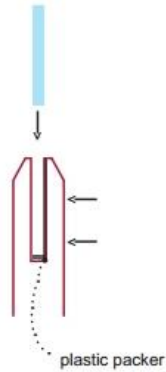
Note: Same installation method applies to round base plate spigot



The glass is then installed to the spigots. Place plastic packers between glass & spigot, at no stage should glass touch the metal

How adjustability works:

1. Place glass in spigot
2. Fix/ tension glass both sides with allen key



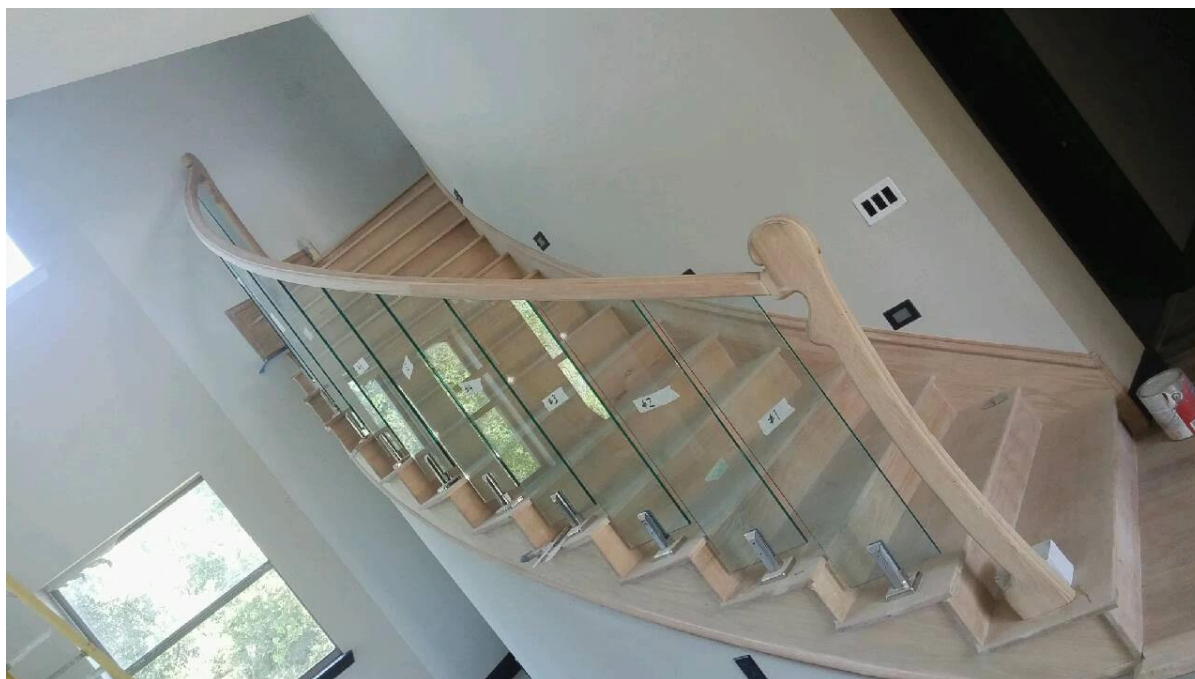
Imballaggio di sicurezza per attacco a vetro quadrato in acciaio inox duplex 2205

1. Un pezzo in un sacchetto di bolla, poi in una scatola bianca.
12 pezzi in scatola di cartone 365x330x230mm.
2. Imballaggio come richieste dei clienti.



**duplex 2205 acciaio inossidabile piattaforma a piattaforma di vetro
piatta Progetti**





FAQ

1. quale materiale hai?

SS304, SS316, SS316L, duplex 2205, ect.

2. Puoi mandarmi l'intera lista dei tuoi prezzi?

Spiacenti, poiché il prezzo relativo a molti fattori, come la quantità, il tipo di materiale, il trattamento delle superfici e così via, ti offriremo una quotazione esatta dopo che confermeremo i tuoi requisiti dettagliati.

3. Do offriamo OEM & Servizio ODM?

Sì, possiamo rendere i prodotti secondo i vostri disegni tecnici o campioni. Siamo professionisti in fusione di investimenti, pressofusione, stampaggio, lavorazione CNC ecc.

4. Che tipo di pagamento accetti?

T / T, L / C, PayPal, West Union, ecc.

5. What è il tuo termine di pagamento?

T / T (30/70) o L / C a vista.

6. Qual è il tuo tempo di consegna?

Entro 5 giorni lavorativi per articoli di vendita calda. 15-25 giorni lavorativi per bagni.

7. Offri un servizio post-vendita?

Naturalmente, qualsiasi domanda dopo aver acquistato i nostri prodotti, ti riportiamo entro 24 ore.

Informazioni sull'azienda.

Shenzhen Launch Co., Ltd was established in 2004, located at Nanshan District, Shenzhen, and one hour by car from Hongkong International Airport. Our main product is high-grade building materials includes stainless steel balustrade post, staircase handrail, balcony guardrail, swimming pool fence and other high-grade building materials. All the products are designed strictly according to the high-end market requirements. We have our own factory in Tangxia Town, Dongguan, has a variety of precision equipment more than 50 sets: CNC lathe, milling machine, punching machine, pipe cutter, argon welder, drilling machine, polisher, etc. which can provide customers with complete product processing services. With the German SPECTRO Spectrometer, we insist on testing every batch of materials to ensure that the material is highly qualified. We also have hardness gauge, secondary element and other test equipment to ensure the products meets customers' requirements.

ABOUT US



OUR ADVANTAGE

Please do not hesitate to contact us if you have any requirement regarding our production lines, you can expect a timely reply with professional solutions!



Own factory, shortest lead time.



Can help customers design product drawings based on customer ideas and design engineering installation drawing according to the customer site sketch.



Sample order, trial order acceptable.



Provide material test report to ensure that the material is qualified.



13 years of industry experience, we can help customers recommend the best solution to help customers save cost.

OUR FACTORY

More than 13 years experience in hardware industry design and processing, we can provide customized services from design to the sample and small batch trial production.



OUR CERTIFICATE

With premium quality, competitive price and superior service, we won a lot of customers' favor.
Our products are popular in North America, European and Australia.



PRODUCTION PROCESS



Casting



CNC lathe



CNC Milling



Stamping



Drilling & Tapping



Polishing

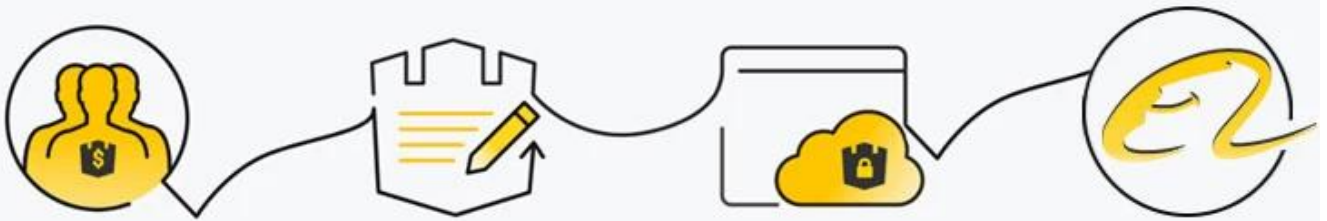


PACKAGING & DELIVERY



PAYMENT & TRANSPORTATION

Welcome Alibaba Trade Assurance Order!



- 1 Start an order
- 2 Negotiate terms with our sales service & confirm order
- 3 Make payment
- 4 Alibaba provide full assurance



CONTACT US

WELCOME TO CONTACT US. WE WILL DO OUR BEST TO HELP YOU!



CELIA CHEN



Email : sales01@launch-china.cn



Skype : [launch-01](https://www.skype.com/people/launch-01)



Mob. [86-13590273543](tel:86-13590273543)

