

Semi-frameless vetro di sicurezza temprato supportato da tutto montante in alluminio resistente e pali quadrati. Messaggi possono essere polvere ricoperta in diversi colori per soddisfare le vostre esigenze.

Direzione:

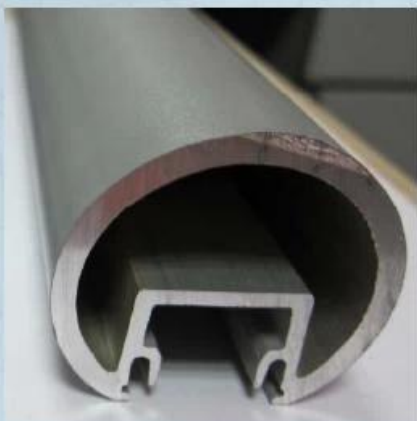
Un modo fine postale;

A due vie 90 post laurea;

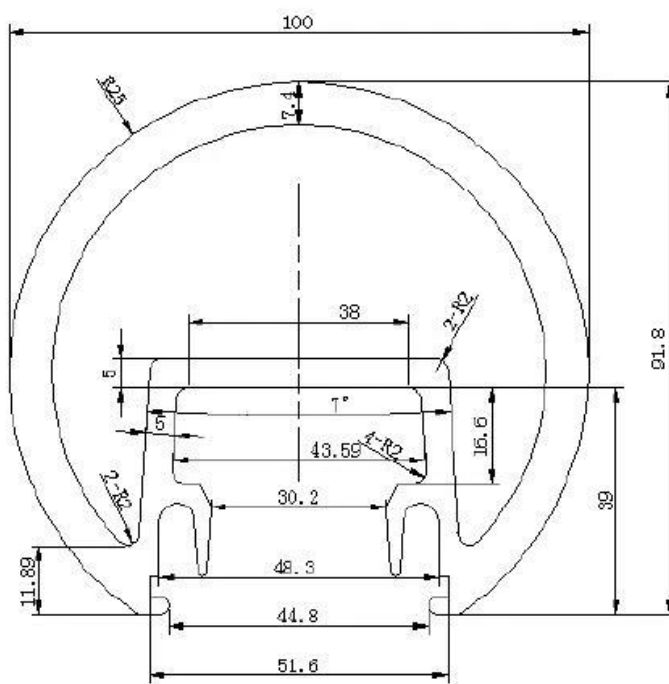
Bidirezionale 180 post laurea;

Bidirezionale 135 post laurea;

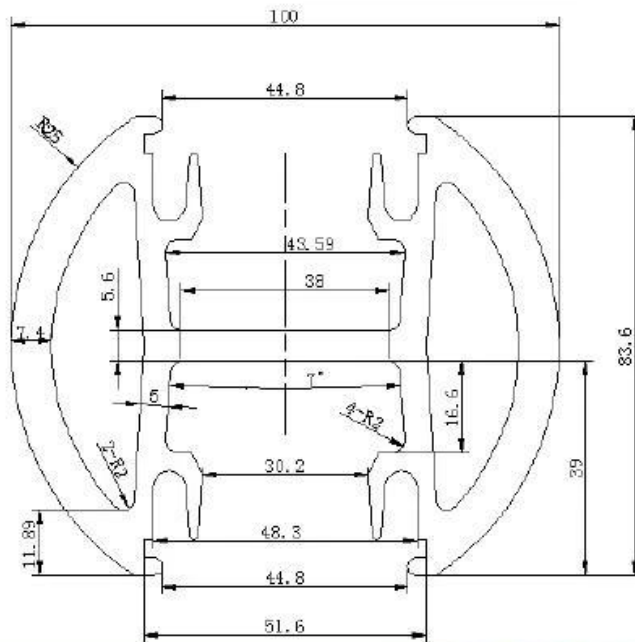
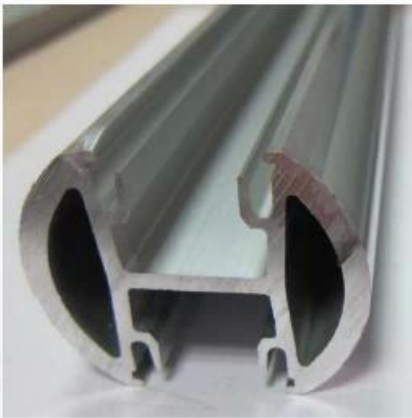
**Aluminum railing post
--Round 1 way post**



Material : aluminum 6065
Heat treatment : T6
Surface : MILL
Length : 1265mm
details: with 150mm snap insert in at one end, a plastic seat, a post base, cap on the top and cover ring for post base.

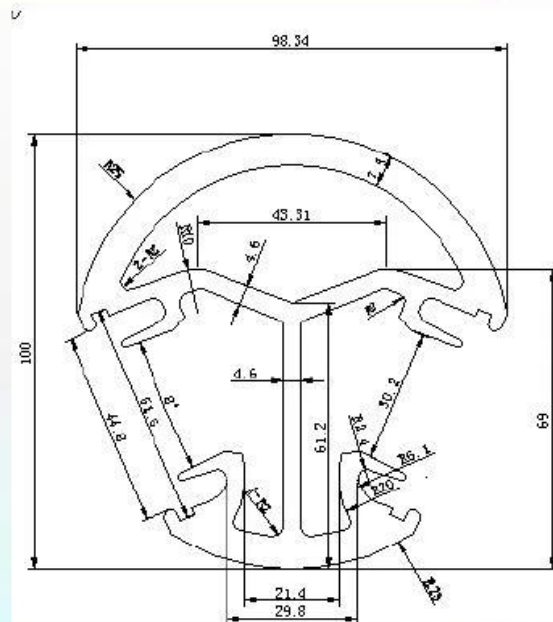


Aluminum railing post
--Round 2 way post



Material : aluminum 6065
Heat treatment :T6
Surface : MILL
Length : 1265mm
details: with 150mm snap insert in at one end, a plastic seat, a post base, cap on the top and cover ring for post base.

Aluminum railing post
--Round 135 degree post



Material : aluminum 6065
Heat treatment :T6
Surface : MILL
Length : 1265mm
details: with 150mm snap insert in at one end, a plastic seat, a post base, cap on the top and cover ring for post base.





Colonnina in alluminio quadrato



