

cerniera in vetro idraulico in acciaio inossidabile 304 per porte in vetro da bagno da 8-12 mm

Modello	Cerniera per doccia da parete a 90 gradi
Materiale	acciaio inossidabile, alluminio
finire	satinato, specchio, nero
Max. altezza della porta	2100mm
Max. larghezza della porta	1000mm
Max. peso anta per coppia di cerniere in vetro	45 kg
Applicazione	porte in vetro per docce, uffici, hotel, appartamenti, ecc.
MOQ	1 paio = 2 pezzi

Foto della cerniera in vetro idraulica in acciaio inossidabile 304 per porte in vetro da bagno da 8-12 mm-







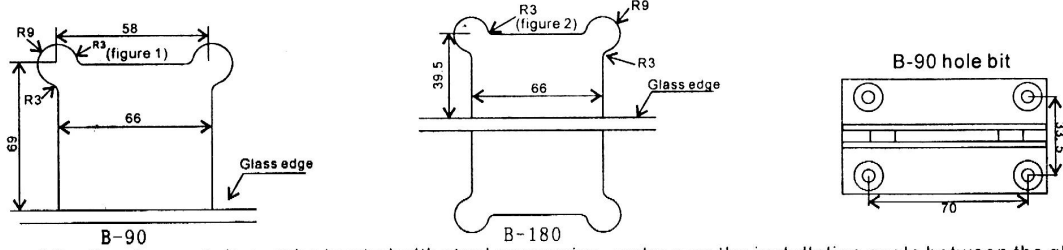
Istruzioni per l'installazione delle cerniere idrauliche in vetro

## B-90 B-180 Hydraulic Buffer Glass Door Hinges' Specification

Application range & glass door parameters :

1. This series of hydraulic glass hinge is suitable for tempered glass door without frame .
2. Suitable for MAX door height  $\leq 2100\text{mm}$
3. Suitable for MAX door width  $\leq 1000\text{mm}$
4. Glass door thickness : 8-12mm
5. Maximum bearing weight of 45KG/2PCS

Glass door open cut reference graph (figure 1B -90 figure 2B - 180)

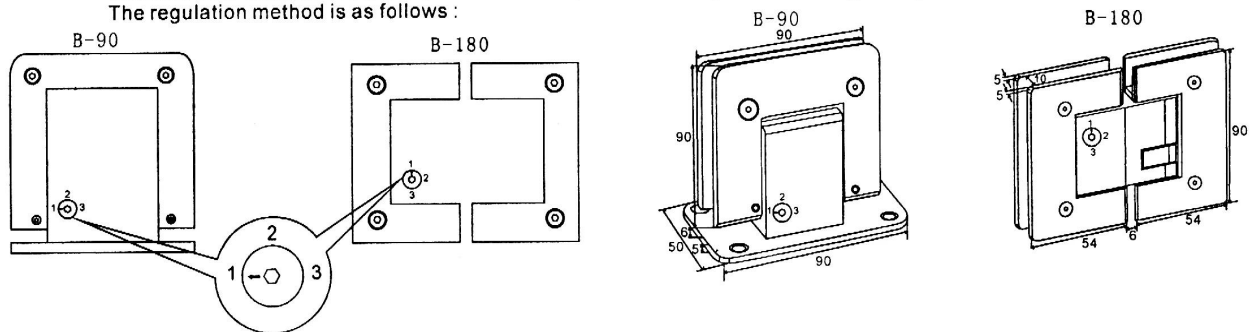


After the glass cut , it must be treated with steel processing , make sure the installation angle between the glass door and the ground is 90°when you install it .

The hydraulic glass door hinge can be adjusted for closing strength for 1 .2 .3 degree

Note: the door must be completely closed before you need to adjust the closing strength .

The regulation method is as follows :



( Twist the arrow to the position of desire strength )

Dettagli d'imballaggio -

1 pezzo in una scatola bianca, 10 pezzi in un cartone



Foto progetto porte doccia in vetro con cerniere idrauliche-

