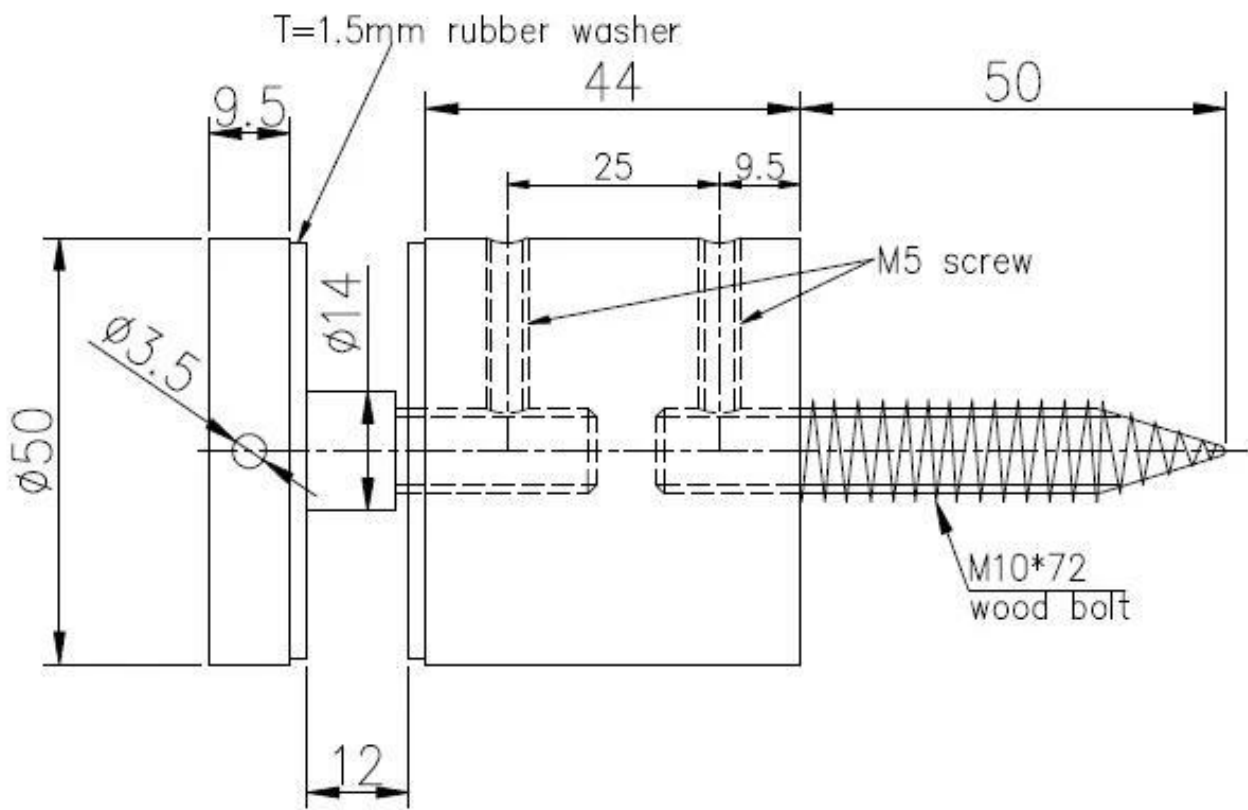


2 "roestvrij staal AISI304 / 316 glasafstotings Standoff Steun voor Aangemaakt Glastraliewerksysteem specificaties:

productnaam	2 "roestvrij staal AISI304 / 316 glasafstotings Standoff Steun voor Aangemaakt Glastraliewerksysteem
Materiaal	Roestvrij staal 304/316
Andere naam	Afstand van glasafrastering, afstandsbouten van glas, afstand houden van glas
Af hebben	Spiegel gepolijst, of satijn gezoet
Glas stand-off maat	2 "diameter met een 1-3 / 4" basis, dopdikte 3/8 "
Voor glasdikte	1/2 "en 3/4" (12 en 19 mm) gehard glas
Geboorde glazen gat	Diameter 12 mm vereist in glas
Netto gewicht	910g / piece
Montage	muurmontage / zijmontage / montage van de fascia
MOQ	10 stuks
Monster	Beschikbaar
OEM & ODM service	Aanvaardbaar
Toepassing	Indoor en outdoor trappen ontwerp, balkon reling, dek frame-loze glazen balustrade, Juliet balkon ontwerp, zwevende trap
Fabrieksinspectie	Beschikbaar

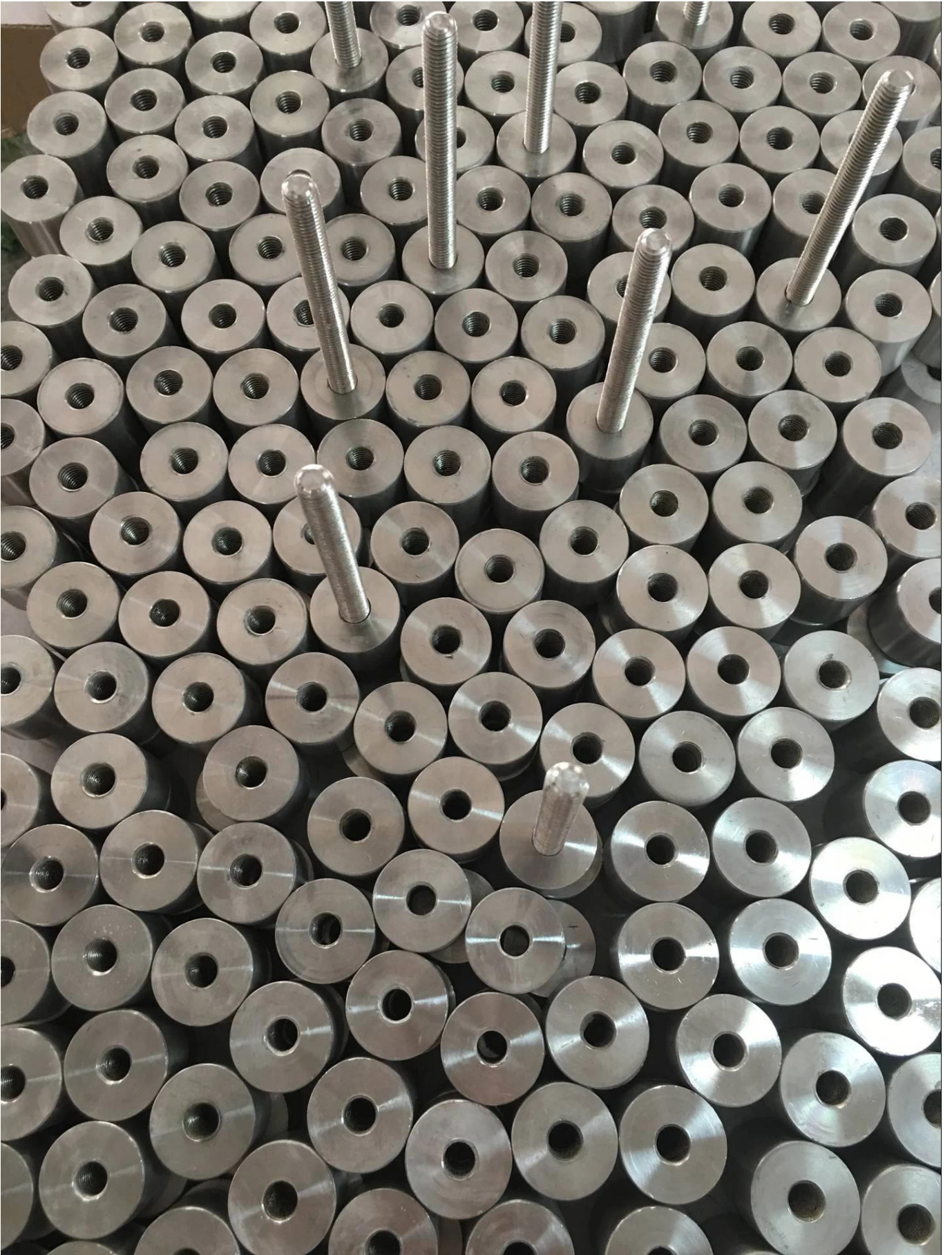


2 "Diameter Standoff-dop en -basis voor montage op houten substraat:



2 "Diameter Standoff-dop en -basis voor montage op betonsubstraat:









Projectfoto's:



Roestvrijstalen glazen afstandhouder voor frame-loze glazen balustrade



Bedrijfsinfo:

Shenzhen Launch Co., Ltd was established in 2004, located at Nanshan District, Shenzhen, and one hour by car from Hongkong International Airport. Our main product is high-grade building materials includes stainless steel balustrade post, staircase handrail, balcony guardrail, swimming pool fence and other high-grade building materials. All the products are designed strictly according to the high-end market requirements. We have our own factory in Tangxia Town, Dongguan, has a variety of precision equipment more than 50 sets: CNC lathe, milling machine, punching machine, pipe cutter, argon welder, drilling machine, polisher, etc. which can provide customers with complete product processing services. With the German SPECTRO Spectrometer, we insist on testing every batch of materials to ensure that the material is highly qualified. We also have hardness gauge, secondary element and other test equipment to ensure the products meets customers' requirements.

ABOUT US



OUR ADVANTAGE

Please do not hesitate to contact us if you have any requirement regarding our production lines, you can expect a timely reply with professional solutions!



Own factory, shortest lead time.



Can help customers design product drawings based on customer ideas and design engineering installation drawing according to the customer site sketch.



Sample order, trial order acceptable.



Provide material test report to ensure that the material is qualified.



13 years of industry experience, we can help customers recommend the best solution to help customers save cost.

OUR FACTORY

More than 13 years experience in hardware industry design and processing, we can provide customized services from design to the sample and small batch trial production.



OUR CERTIFICATE

With premium quality, competitive price and superior service, we won a lot of customers' favor.
Our products are popular in North America, European and Australia.



PRODUCTION PROCESS



Casting



CNC lathe



CNC Milling



Stamping



Drilling & Tapping

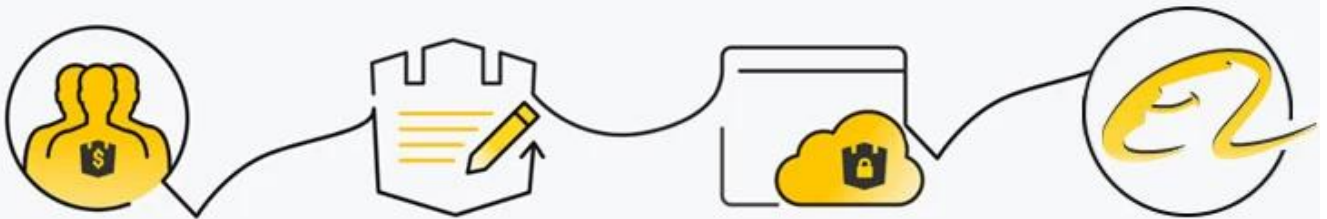


Polishing



PAYMENT & TRANSPORTATION

Welcome Alibaba Trade Assurance Order!



- 1 Start an order
- 2 Negotiate terms with our sales service & confirm order
- 3 Make payment
- 4 Alibaba provide full assurance



Neem nu contact met ons op voor meer informatie!
E-mail: sales03@launch-china.cn

Mob: +8615907334556