

## **Bodemplaat type tweeling glazen afstandsbuis voor balkon frame-loze glazen reling standoff-bouten**

De afstandhouder kan op zowel houten als betonnen vloeren worden gemonteerd.

Toepassingsplaatsen: glazen buitenleuning en glazen binnenrailsysteem

Toepassingsgebieden:

balkon glazen balustrade

trap glazen balustrade ontwerp

terras glazen balustrade ontwerp etc.

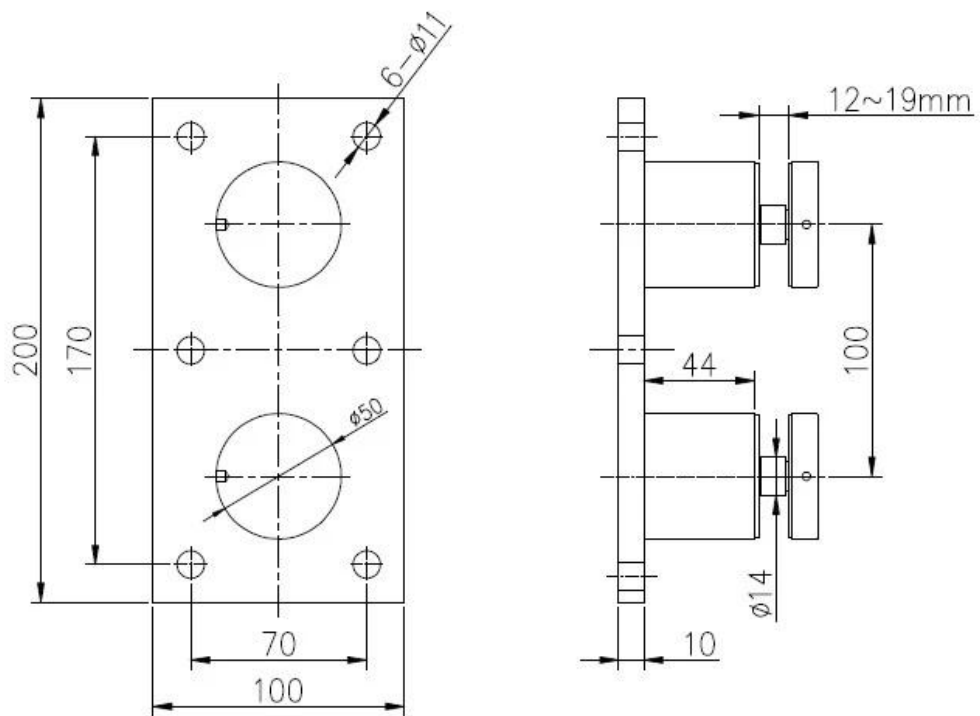
**Productshow:**







**Technische tekening:**



**ANDERE SOORTEN GLAZEN RAILING STANDOFFS BESCHIKBAAR:  
Dia 50 mm Glasafstand in Satijnen afwerking:**



**Dia 50 mm** Glasafstand in **Mirror Finish**:

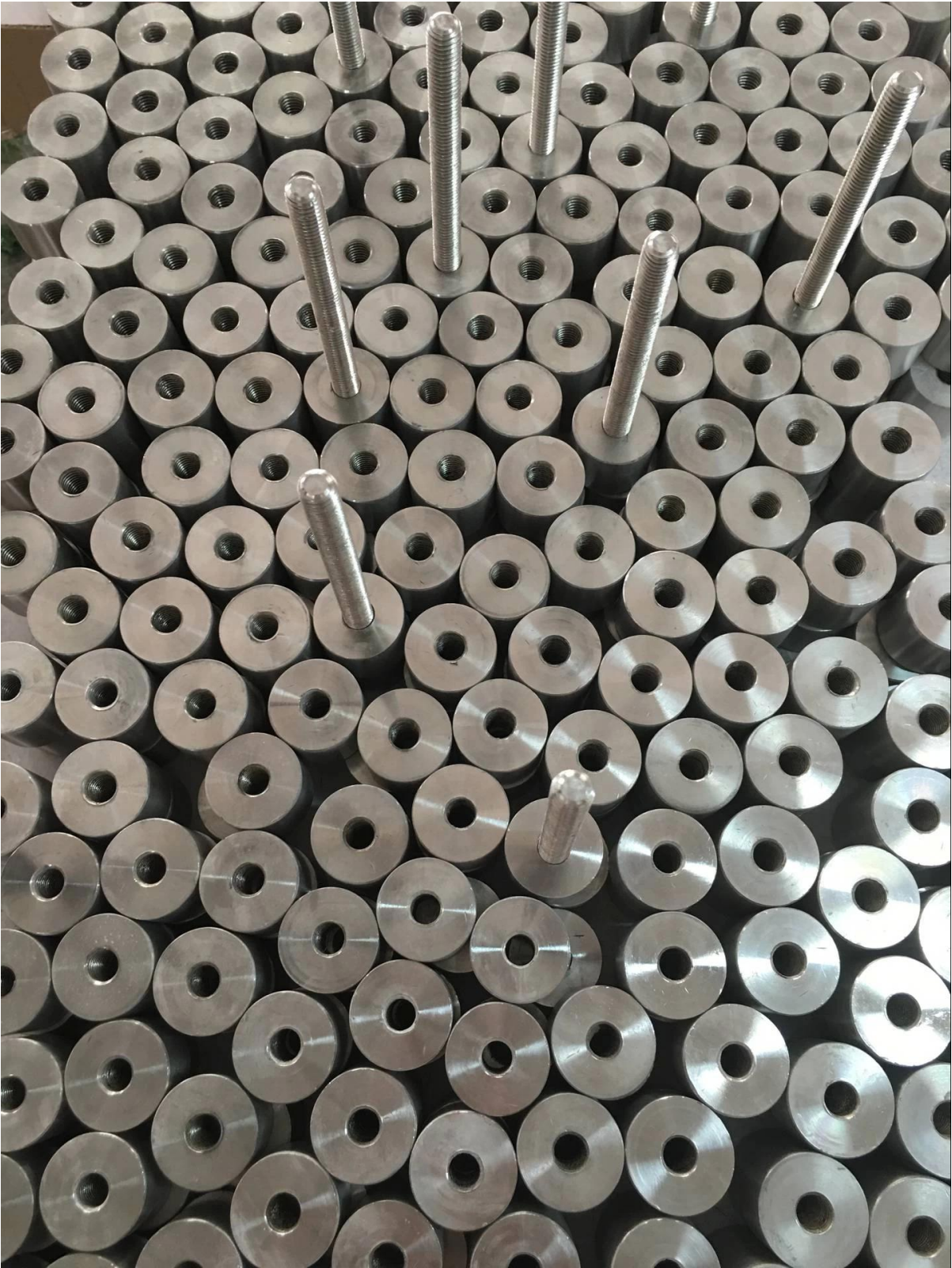


**Met betonnen bout & hout Schroef:**



Echte producten:



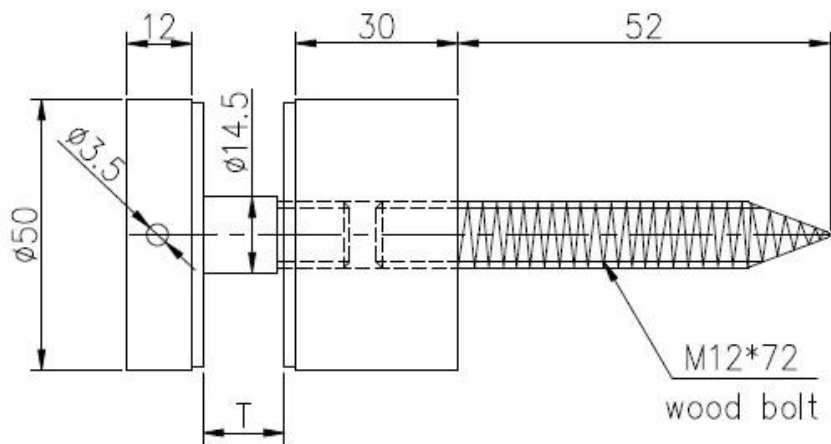
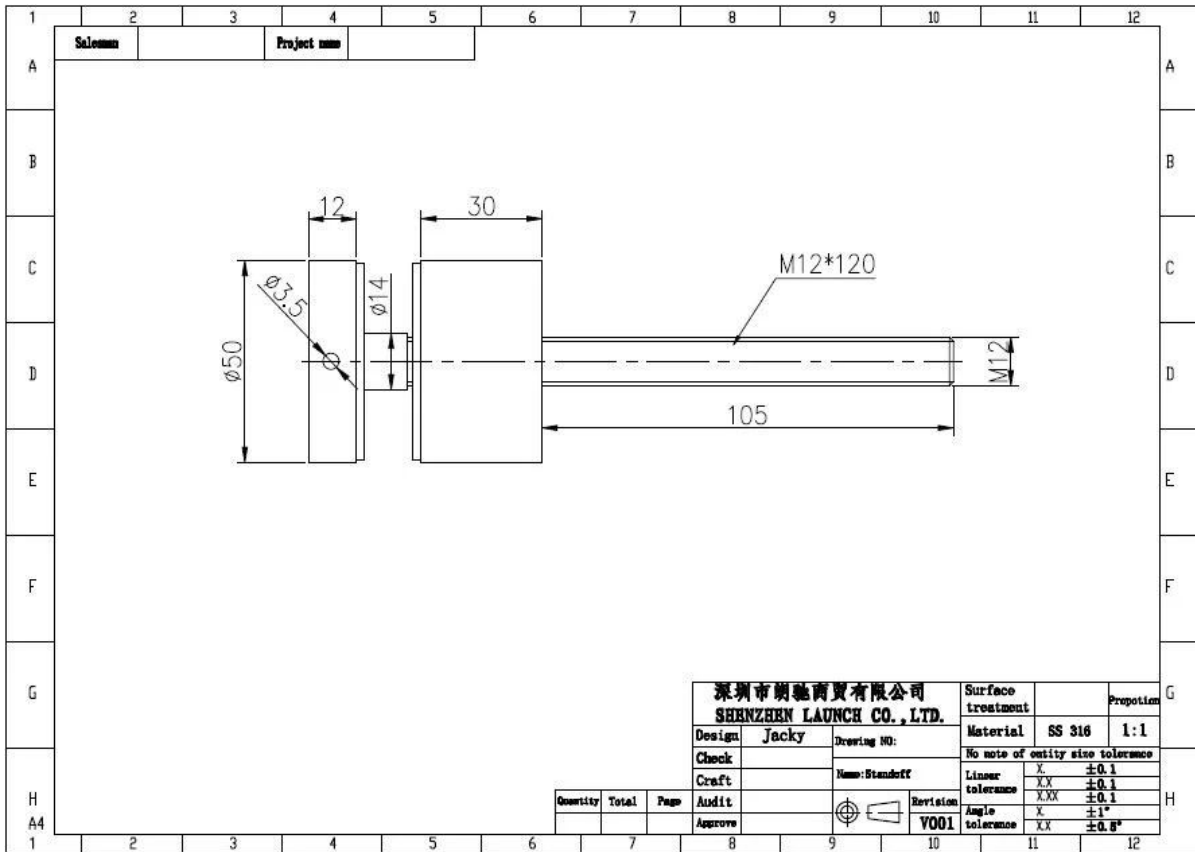






**Technische tekening:**





**Projectfoto's:**

buiten- en binnenglas afstand, frame-loze standoff glazen balustrade ontwerp, roestvrijstalen glas standoff beugel, glazen standoff pin

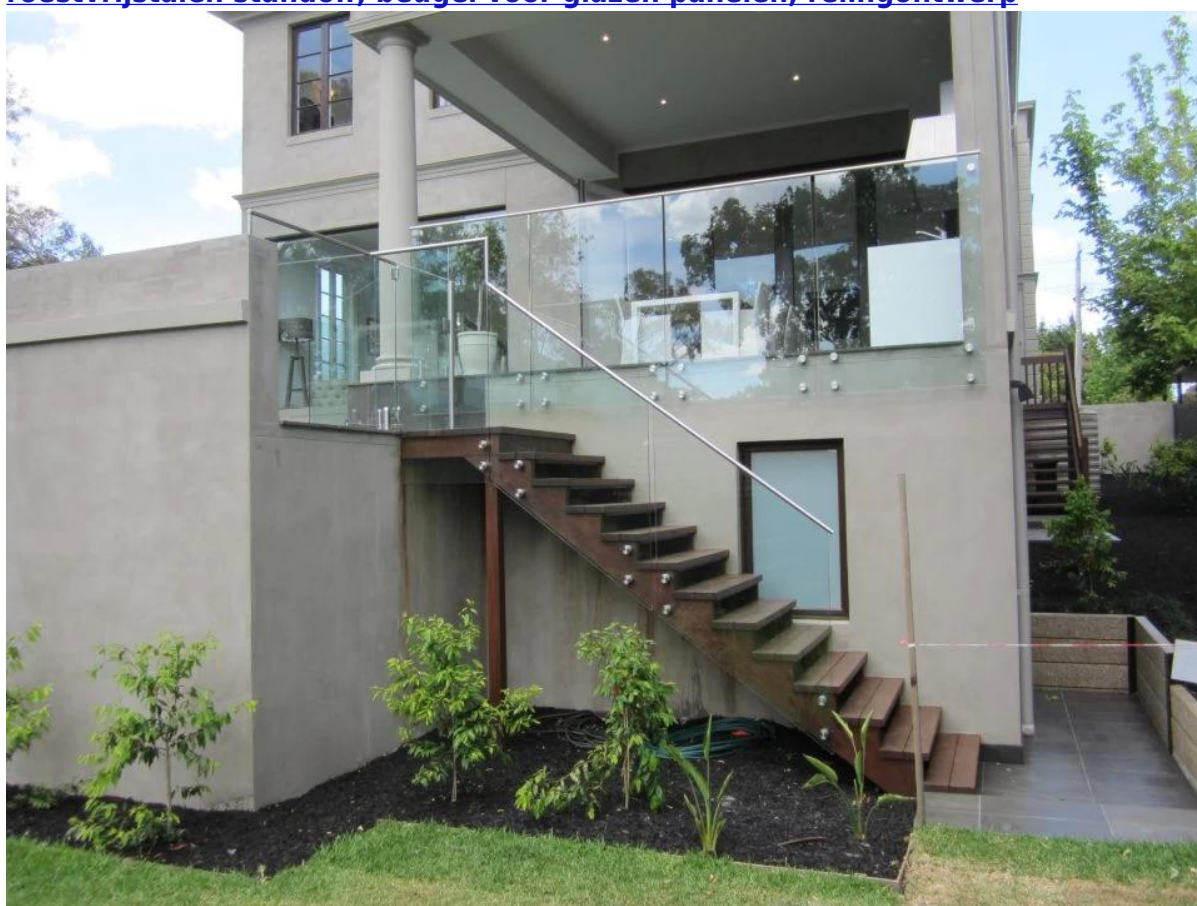




**Roestvrijstalen glazen afstandhouder voor frame-loze glazen balustrade**



**roestvrijstalen standoff, beugel voor glazen panelen, relingontwerp**



Bedrijfsinfo:



Shenzhen Launch Co., Ltd was established in 2004, located at Nanshan District, Shenzhen, and one hour by car from Hongkong International Airport. Our main product is high-grade building materials includes stainless steel balustrade post, staircase handrail, balcony guardrail, swimming pool fence and other high-grade building materials. All the products are designed strictly according to the high-end market requirements. We have our own factory in Tangxia Town, Dongguan, has a variety of precision equipment more than 50 sets: CNC lathe, milling machine, punching machine, pipe cutter, argon welder, drilling machine, polisher, etc. which can provide customers with complete product processing services. With the German SPECTRO Spectrometer, we insist on testing every batch of materials to ensure that the material is highly qualified. We also have hardness gauge, secondary element and other test equipment to ensure the products meets customers' requirements.

## ABOUT US



# OUR ADVANTAGE

Please do not hesitate to contact us if you have any requirement regarding our production lines, you can expect a timely reply with professional solutions!



Own factory, shortest lead time.



Can help customers design product drawings based on customer ideas and design engineering installation drawing according to the customer site sketch.



Sample order, trial order acceptable.



Provide material test report to ensure that the material is qualified.



13 years of industry experience, we can help customers recommend the best solution to help customers save cost.

# OUR FACTORY

More than 13 years experience in hardware industry design and processing, we can provide customized services from design to the sample and small batch trial production.



# OUR CERTIFICATE

With premium quality, competitive price and superior service, we won a lot of customers' favor.  
Our products are popular in North America, European and Australia.





# PRODUCTION PROCESS



Casting



CNC lathe



CNC Milling



Stamping



Drilling & Tapping



Polishing





# PAYMENT & TRANSPORTATION

Welcome Alibaba Trade Assurance Order!



- 1 Start an order
- 2 Negotiate terms with our sales service & confirm order
- 3 Make payment
- 4 Alibaba provide full assurance



# FAQ

1. What materials do you have?

SS304, SS316, SS316L, Duplex 2205, etc.

2. Can you send me your whole price list?

Sorry, as the price related to many factors, such as quantity, material type, surface treatment and so on, we will offer you exact quote after we confirm your detailed requirements.

3. Do you offer OEM & ODM service?

Yes, we can make the products according to your technical drawings or samples, we are professional in investment casting, die casting, stamping, CNC machining, etc.

4. What kind of payment you accept?

T/T, L/C, PayPal, West Union, etc.

5. What is your payment term?

TT(30/70) or LC at sight.

6. What is your delivery time?

Within 5 workdays for hot-sale items, 15-25 workdays for batch orders.

7. Do you offer after-sales service?

Of course, any question after you purchase our products, we will get back to you within 24 hours.

**Neem nu contact met ons op voor meer informatie!**

**E-mail: [sales03@launch-china.cn](mailto:sales03@launch-china.cn)**

**Mob: +8615907334556**

**KEBIL** 科比奥® SHENZHEN LAUNCH CO.LTD  
LAUNCH INTERNATIONAL LIMITED

**Eve Chow**

Sales representative

M : +86 159 0733 4556

T : +86 755 8603 7559

E : [sales03@launch-china.cn](mailto:sales03@launch-china.cn)

A : B5-5003, Yilida Bldg, Nanshan District, Shenzhen

