

Glasafstandhouder, glazen afstandsbouten, glazen muursteen  
specificaties:

productnaam	Glasafstandhouder, glazen afstandsbouten, glazen muursteen
Materiaal	Roestvrij staal 304/316
Andere naam	glasstandoff, standoff glazen reling
Af hebben	Spiegel gepolijst, of satijn gezoet
Glas stand-off maat	50x12mm kap, 50x30mm body, M12 * 120 mm bout, inclusief siliconenrubberen pakking
Voor glasdikte	12-19mm, of vanaf de eisen van klanten
Geboorde glazen gat	Diameter 14 mm vereist in glas
Netto gewicht	750g / piece
Montage	wandmontage / zijmontage / montage van fascia
MOQ	10 stuks
Monster	Beschikbaar
OEM & ODM service	Aanvaardbaar
Toepassing	Indoor en outdoor trappen ontwerp, balkon reling, dek frame-loze glazen balustrade, Juliet balkon ontwerp, zwevende trap
Fabrieksinspectie	Beschikbaar

**Dia 50 mm Glass Standoff / Button in Satijnen afwerking:**



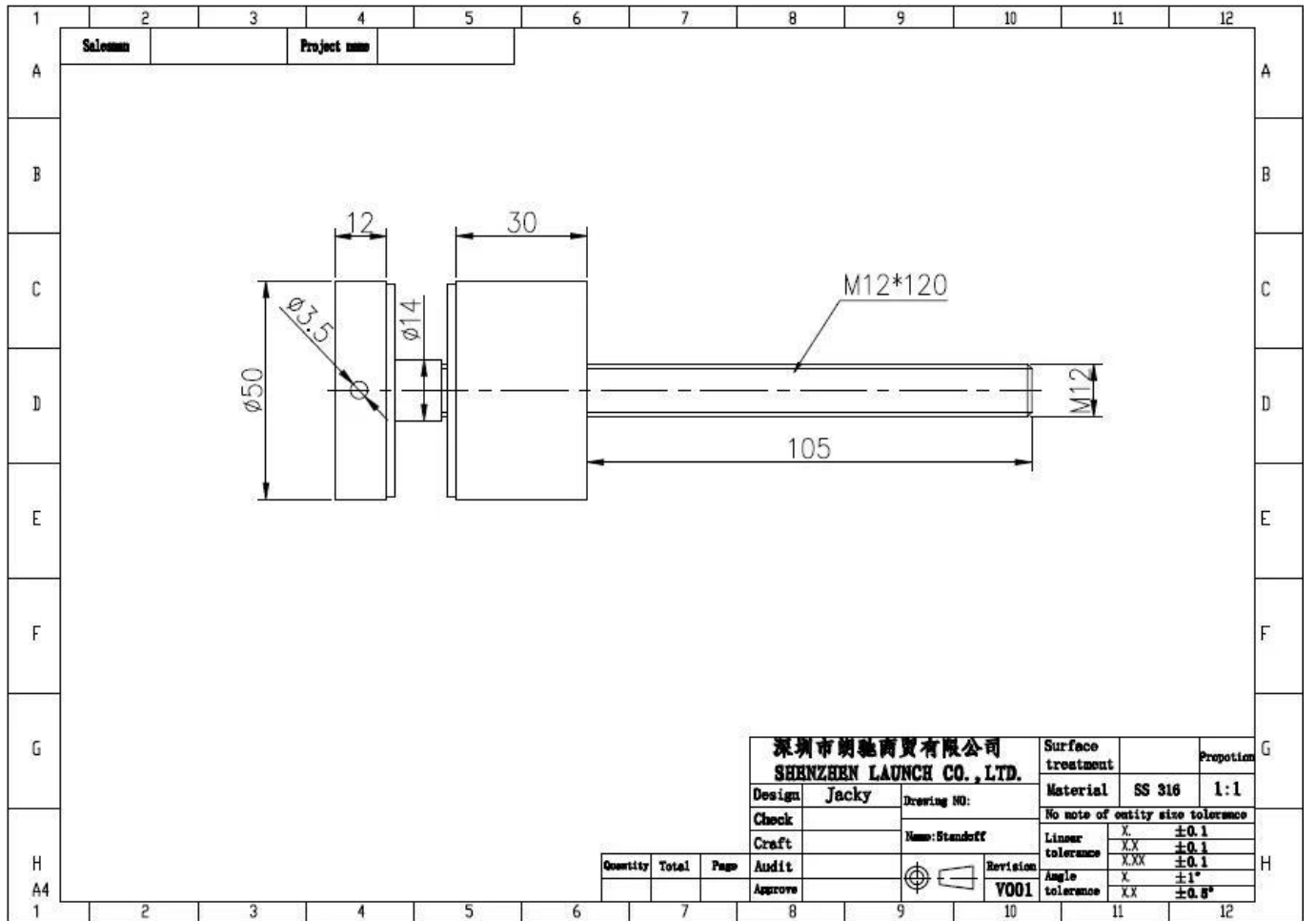
**Dia 50 mm** Glass Standoff / Button in **Mirror Finish**:

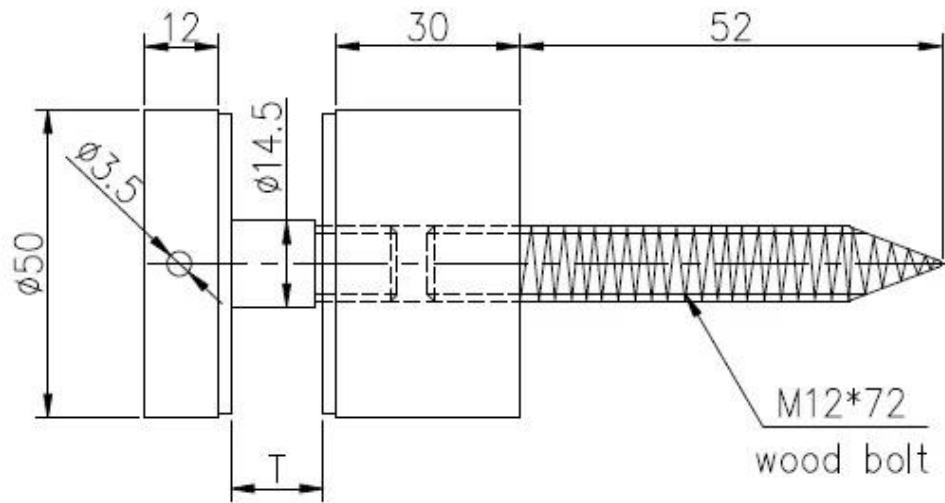


**Met houtschroef voor montage op houten ondergrond:**



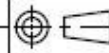
**Technische tekening:**





<b>深圳市朗馳商貿有限公司</b> <b>SHENZHEN LAUNCH CO., LTD.</b>			Surface treatment		Propor
Design	Jacky	Drawing NO: SF-68	Material		1:1
Check		Name: Standoff	No note of entity size tolerance		
Craft		Revision	Linear tolerance	X	±0.1
Audit			X.X	X	±0.1
Quantity	Total	Page	Angle tolerance	X	±1°
			X.X	X	±0.5°
Approve					

Quantity	Total	Page



Revision  
V001









**Projectfoto's:**

Glazen knop Balustrade systeem RVS balustrade





**Roestvrijstalen glazen afstandhouder voor frameleze glazen balustrade**



**roestvrijstalen standoff, beugel voor traptraliwerk ontwerp**



Bedrijfsinfo:

Shenzhen Launch Co., Ltd was established in 2004, located at Nanshan District, Shenzhen, and one hour by car from Hongkong International Airport. Our main product is high-grade building materials includes stainless steel balustrade post, staircase handrail, balcony guardrail, swimming pool fence and other high-grade building materials. All the products are designed strictly according to the high-end market requirements. We have our own factory in Tangxia Town, Dongguan, has a variety of precision equipment more than 50 sets: CNC lathe, milling machine, punching machine, pipe cutter, argon welder, drilling machine, polisher, etc. which can provide customers with complete product processing services. With the German SPECTRO Spectrometer, we insist on testing every batch of materials to ensure that the material is highly qualified. We also have hardness gauge, secondary element and other test equipment to ensure the products meets customers' requirements.

## ABOUT US



# OUR ADVANTAGE

Please do not hesitate to contact us if you have any requirement regarding our production lines, you can expect a timely reply with professional solutions!



Own factory, shortest lead time.



Can help customers design product drawings based on customer ideas and design engineering installation drawing according to the customer site sketch.



Sample order, trial order acceptable.



Provide material test report to ensure that the material is qualified.



13 years of industry experience, we can help customers recommend the best solution to help customers save cost.

# OUR FACTORY

More than 13 years experience in hardware industry design and processing, we can provide customized services from design to the sample and small batch trial production.



# OUR CERTIFICATE

With premium quality, competitive price and superior service, we won a lot of customers' favor.  
Our products are popular in North America, European and Australia.





# PRODUCTION PROCESS



Casting



CNC lathe



CNC Milling



Stamping



Drilling & Tapping

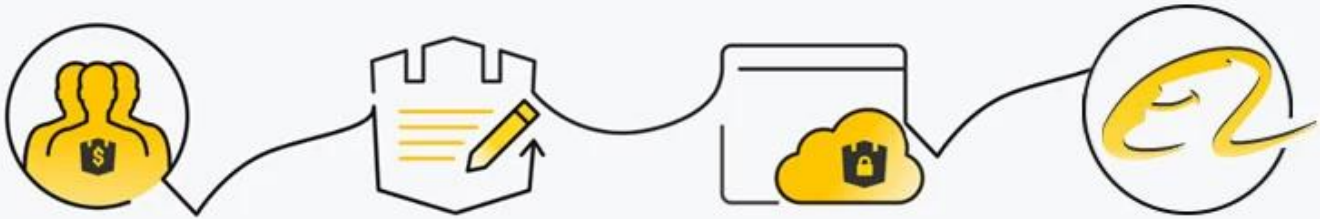


Polishing



# PAYMENT & TRANSPORTATION

Welcome Alibaba Trade Assurance Order!



- 1 Start an order
- 2 Negotiate terms with our sales service & confirm order
- 3 Make payment
- 4 Alibaba provide full assurance



Neem nu contact met ons op voor meer informatie!

**E-mail: [sales03@launch-china.cn](mailto:sales03@launch-china.cn)**

**Mob: +8615907334556**