

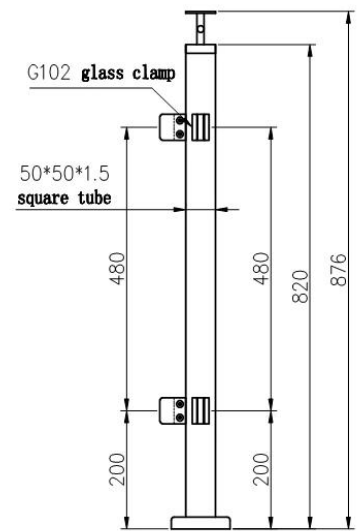
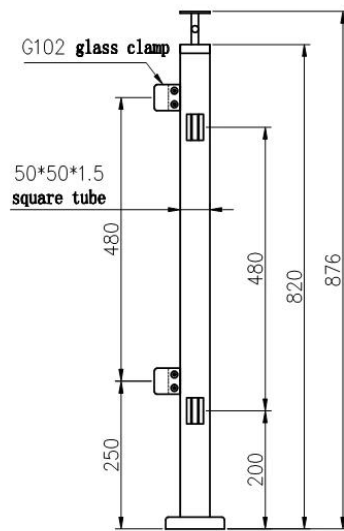
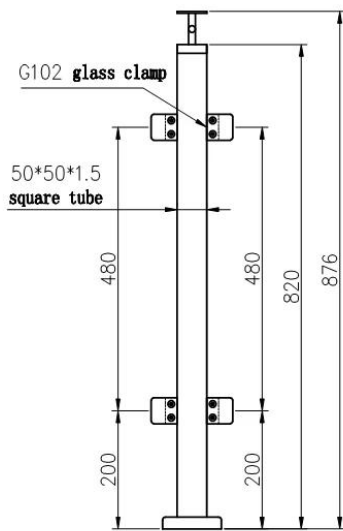
Binnentrap Glasrastering Roestvrijstalen vierkante glasbalustrade

1	Materiaal en afwerking	Roestvrij staal 304/316; Satijn of spiegelafwerking
2	Hoogte	1000 mm / aangepast formaat
3	Stanchion Post	D50.8 * 1,5 (mm) buis; 4-weg verstelbare bovenste railbeugel; Vierkante of ronde glazen klem.
4	Toprail	D50.8 * 1,5 (mm) Holle buis
5	Burgersleuning	10 mm / 12 mm gehard helder glazen paneel
6	Gebruik & Plaats	Baluster, balustrade, leuning, hek, leuning, leuningen; Balkon, brug, terras, tuin, patio, zwembad, veranda, trap, terras
7	Installatie	Top / Side gemonteerd
8	Pakket	EPE + Binnenvak + Karton

ProductShow



TechnischTekening



Square post railing design with handrail



End post



90 Degree corner post



Middle post

Installatie:

Glass Clamp Installation Guide



Mark and centre punch desired location of blind rivet nut location.



Drill centre punched hole in tube to suit blind rivet nut.



Insert blind rivet nut into tube and fasten with blind rivet tool.



Check installed blind rivet nut is secure and ready for install.



Align half glass clamp with blind rivet nut inline position. Screw in button head cap screw into thread and tighten with hex key.



Select appropriate rubber gasket to suit glass panel thickness. Install rubber gasket into both sides of glass clamp. (Note rubber gasket marked with sizes).



If heavier clamping load is required please use supplied glass clamp pin, during the install process. Note glass panels will require drilling in order to fit glass clamp pins.



Fit glass panel into position, install second half of glass clamp secure with provided hex screws.



Tighten glass clamps with hex key, and check glass panel are secure with no movement.

Projectshow

**Binnentrap Glasrastering Roestvrijstalen vierkante glasbalustrade
Voor trap- / terrasontwerpen:**



Welkom bijcontactons voor meer details:
Wendy: sales04@launch-china.cn
HP / WhatsApp / Wechat: +8615989339827