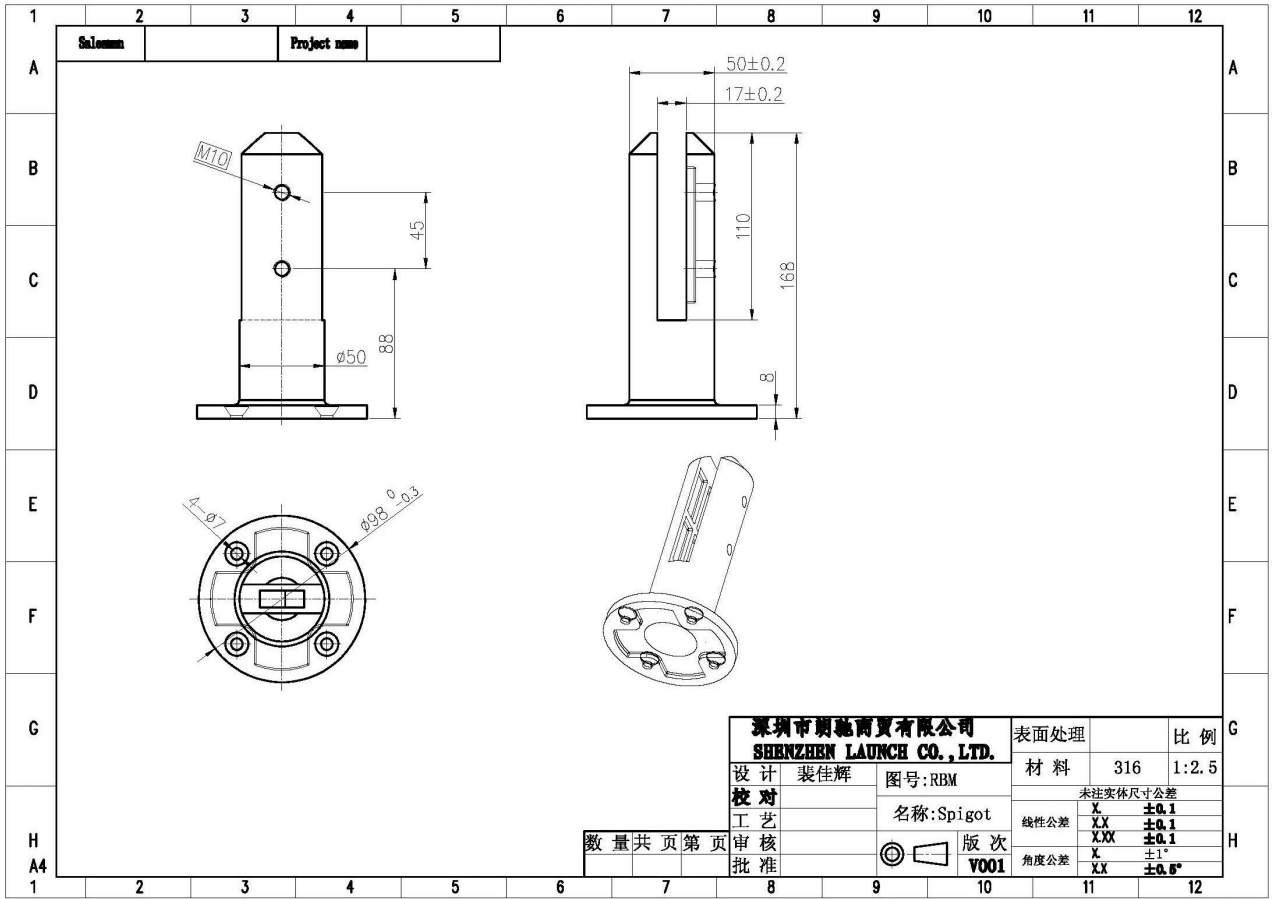


**Roestvrijstalen vierkante glazen tappen Zwembadomheining Spigotklem Thuis Tuin Trappen Balustrade Reling Balkon Glazen vloerklem.**

Modelnr.	SBM
Gewicht per stuk	1,47 kg/set
Inpakken	1 stuks in een witte doos; 12 stuks in een doos 365*330*230mm
Materiaal	Dubbelzijdig 2205; RVS 316; SS 304
Af hebben	Zwart, spiegel, satijn
Glas dikte	10 mm - 17,52 mm
app	glazen zwembad, glazen tuin, balustrade, trap enzovoort
Productieproces	Precisie gieten
MOQ	2 st
Doorlooptijd	3 dagen - 15 dagen





Testrapport van SS duplex 2205 materiaal-



12/16/2020 5:54:18 PM

Method: Fe-30  
 Comment: Cr-, Cr/Ni-steel  
 Type Standard 18--8

12/16/2020 5:54:09 PM

Type corr.concentr.

Sample Name:

Sample ID:

	C	Si	Mn	P	S	Cr	Mo	Ni
	%	%	%	%	%	%	%	%
< x > (1)	0.0224	0.8873	1.1010	0.0263	0.0032	21.6796	3.0718	5.5691

	Al	Co	Cu	Nb	Ti	V	W	Pb
	%	%	%	%	%	%	%	%
< x > (1)	< 0.0005	0.0797	0.1603	< 0.0002	0.0044	0.0893	0.0305	< 0.0002

	Sn	Sb	B	N	Fe		
	%	%	%	%	%		
< x > (1)	0.0092	< 0.0004	0.0024	0.1024	67.1600		

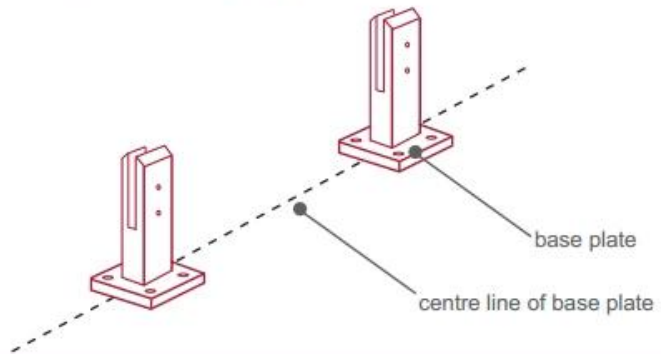
Installatie-instructies van roestvrijstalen vierkante glazen spigots zwembadhek spigotklem -



## fixing method: base plate spigots

Mark out the centre line of proposed glass fence with a chalk line. Determine clamp location based on a sheet size (recommendation on pages 1 & 2). Use base plate as a template to mark out the hole positions and drill holes to suit.

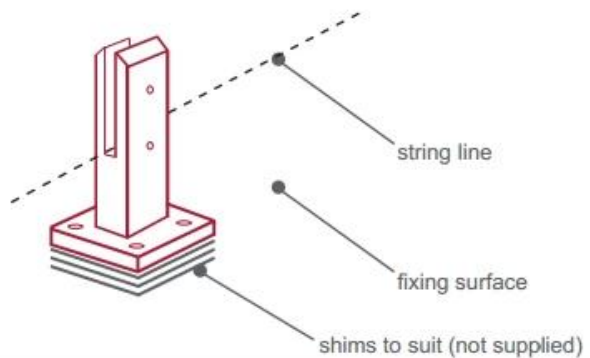
**Note:** Do not exceed 100mm gaps between glass panels. Optimum gap is 40mm to 60mm



Now the base plated spigots can be fitted to the floor and plumbed via shims (not supplied) under the base plates. Be sure to tighten firmly as the smallest of movement at the base plate will result in noticeable movement at the bottom of the glass fence.

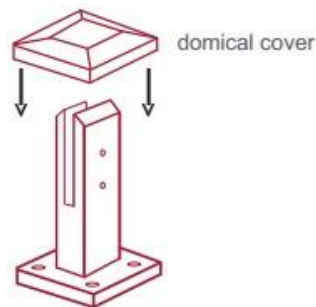
**Tip:** By setting the two outer spigots of your total span, a string line can be run in the 'throat' of the spigots, giving correct height for all spigots in between

**Note:** Do not exceed 100mm gap from the fixing surface to the bottom of the glass



When all spigots are installed, slip domical cover the top of the spigot to hide fixings. It will be necessary to turn the adjustment screws on the spigot face all the way in to allow cover to pass over

**Note:** Same installation method applies to round base plate spigot



The glass is then installed to the spigots. Place plastic packers between glass & spigot, at no stage should glass touch the metal

### How adjustability works:

1. Place glass in spigot
2. Fix/ tension glass both sides with allen key

