

Waarom Kiezen SHENZHEN LANCERING ?

SHENZHEN LANCERING is geverifieerd door SGS , allemaal de hardwares van onze bedrijf zijn geverifieerd met uitstekend kwaliteit.

Alibaba.com Gold Plus Supplier

Main Product Lines Verification Report

Presented to

Shenzhen Launch Co., Ltd.

深圳市朗驰商贸有限公司

Company Address	B5003, Building 3, Yilida Building, No. 1092 Nanshan Avenue, Dengliang Community, Nanshan Street, Nanshan District, Shenzhen City, Guangdong Province, China
Consigner of Assessment:	Alibaba
Gold Supplier Member ID:	launch168
Gold Supplier Company Name:	Shenzhen Launch Co., Ltd.
Contact Person:	Mr. Binfeng Gao
Phone Number:	0086-13802569770
Fax Number:	0086-755-86372611
Email:	gbf999@china.com
Website Address (URL):	http://launch-china.en.alibaba.com

*Service Provided by SGS
Report No.: 19536352_P+T*





Cutting Machine	XN	4	3	Acceptable
Laser Cutting Machine	MPS-3015D	1	2	Acceptable
4.5M CNC Processing Center	PRATIC	1	3	Acceptable
CNC Processing Meter	JNC	8	3	Acceptable
Shearing Machine	6X2500	2	3	Acceptable
Bending Machine	AG-1030II	4	3	Acceptable
Punching Machine	N/A	36	6	Acceptable
Coating Line	N/A	1	1.5	Acceptable
Lathing Machine	N/A	1	6	Acceptable
Grinding Machine	LITAO	4	6	Acceptable
Milling Machine	TONG ZHENG	2	6	Acceptable
Welding Machine	N/A	5	5	Acceptable
Tube Processing Machine	N/A	2	5	Acceptable
Cutting Machine		Laser Cutting Machine		4.5M CNC Processing Center
				
CNC Processing Meter		Shearing Machine		Bending Machine
				
Punching Machine		Coating Line		Lathing Machine
				

Report No:	19536352_P+T	Report Date:	09/Oct./2019	Assessed By	Wlof Wang
CONFIDENTIAL		All Rights Reserved		Page No:	6 of 10

trapeleuning 1/2 "glazen zijmontage glazen afstandhouder beugel populair ontwerp voor toepassingen binnen reling.

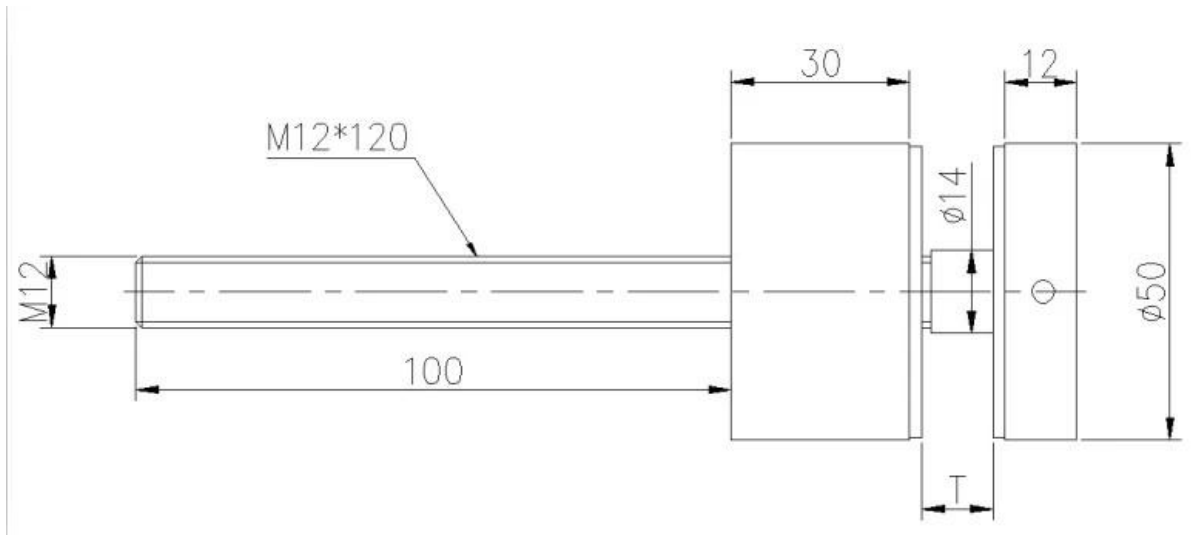
1. Specificaties voor glazen afstandshouder -

1. Model # SF-50
2. DIA 50 mm
3. Voor glas met een dikte van 10-19 mm
4. MOQ 10 stks
5. met M12 * 120 BOLT voor betonmontage of M12 * 72 houtschroef voor houtmontage
6. USD 7.1 / pc op basis van 100+ stuks

2. Foto's van trapeleuning 1/2 "glazen zijmontage glazen afstandshouder



3. tekening voor SF-50



4. Meer modellen van afstandhouder -



Part No.	Material	Finish	Body	Bolt size
▪ SF-30	▪ AISI 304 ▪ AISI 316	▪ Satin ▪ Mirror	▪ 30x10; 30x25mm	▪ M10x120 bolt ▪ M10x72 wood screw ▪ M8x100 bolt ▪ M8 x72 wood screw
▪ SF-40			▪ 40x10; 40x30mm	
▪ SF-50			▪ 50x12; 50x30mm	
▪ SF-50A			▪ 50x12; 50x50mm ▪ silicon rubber gasket included	



Part No.	Material	Finish	Body	Bolt size
▪ SF-38Z	▪ AISI 304 ▪ AISI 316	▪ Satin ▪ Mirror	▪ hollow type ▪ 38x7.5; 38x38mm ▪ silicon rubber gasket included	▪ M8x70 hexagonal screw



Part No.	Material	Finish	Body	Mounting plate size
▪ SF-50T	▪ AISI 304 ▪ AISI 316	▪ Satin ▪ Mirror	▪ 50x10; 50x30mm ▪ silicon rubber gasket included	▪ 200x100x10mm