

## 2 "50mm szklany balustrad Heavy Duty Glass Standoff

Produkt imię	Odbicie szkła, szklany reling balustrady, szklane poręcze wsporników dystansowych
Model numer	SF-50G
Materiał	Stal nierdzewna 316
Obróbka powierzchniowa	Satyna szczotkowana lub polerowana na lustro
Wymiar	Średnica 50 * 12 (mm) nasadka, 50 * 40 (mm) korpus.
Wymiar blachy podstawy	211 * 50 * 12 (mm)
Do grubości szkła	15 mm
MOQ	10 kawałków

### Produkt Pokaż:

Lustrzane polerowane błyszczące wzmocnione szkło





**Wytrzymały element dystansujący ze szkła do stosowania z poręczą ze szkła o grubości 15 mm**

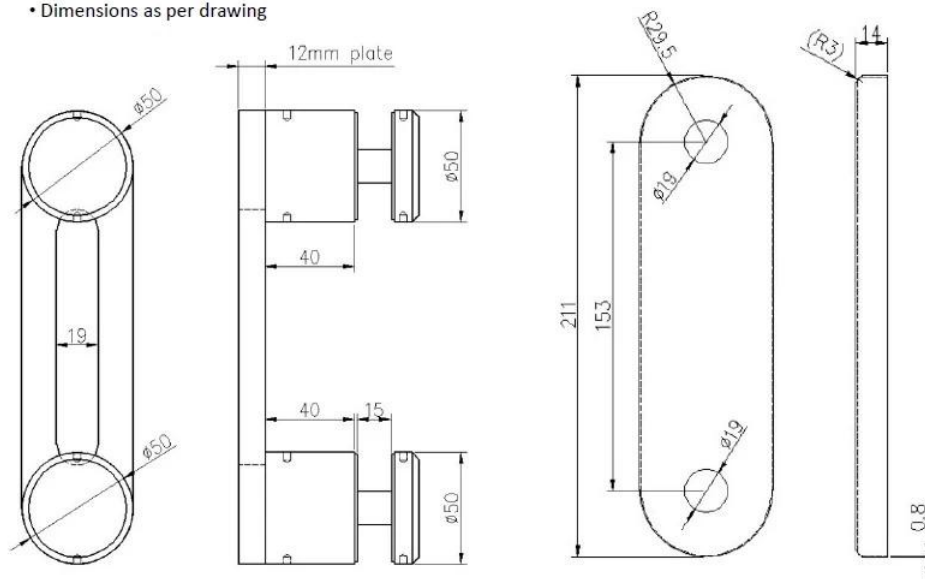




**Rysunek techniczny:**

**Specs. For SS 2-ble Buttons Attachment  
System 50mm (w) by 8" (h)**

- stainless steel 316 , polished
- Dimensions as per drawing



**INNE TYPY DOSTĘPNE STOJĄCE DRZWI SZKLANE:  
Średnica 50 mm Szkło w standardzie Satynowe wykończenie:**



**Średnica 50 mm Szkło w standardzie Wykończenie lustrzane:**

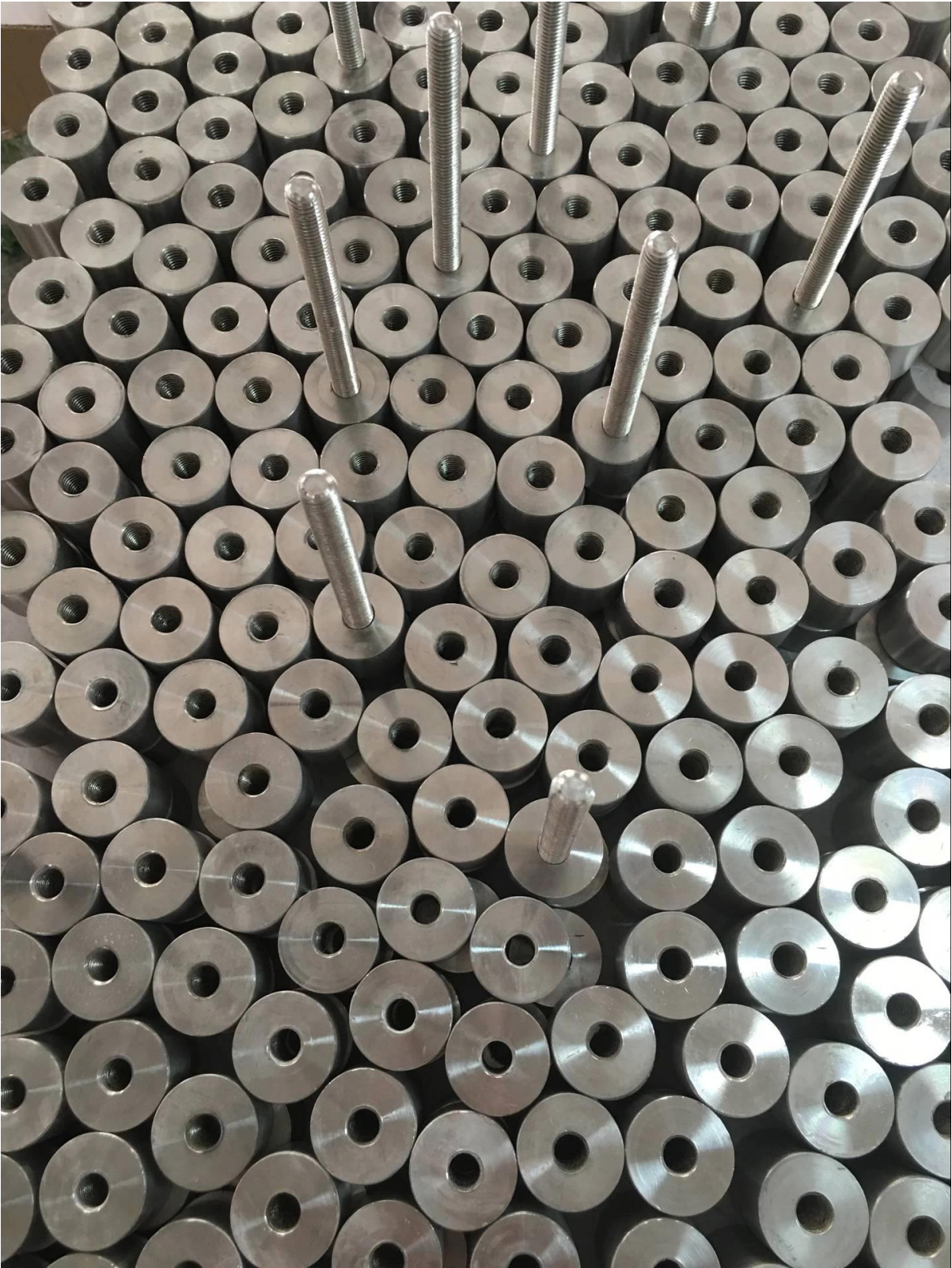
**KEBIL** 科比奥®



**Z bolcem betonowym & śruba do drewna:**



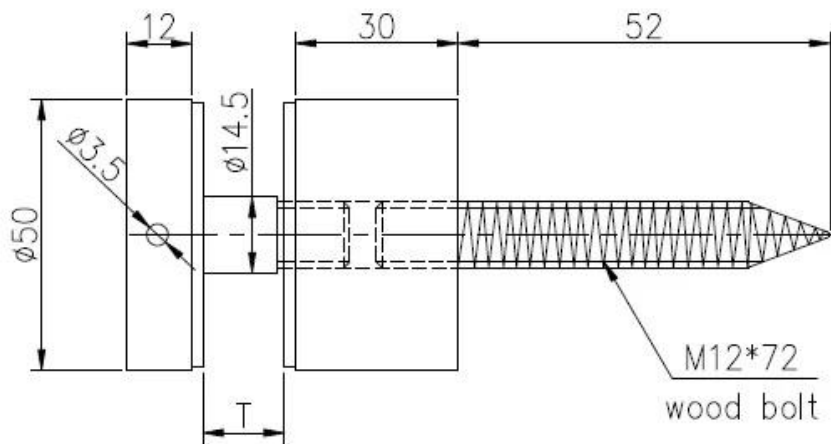
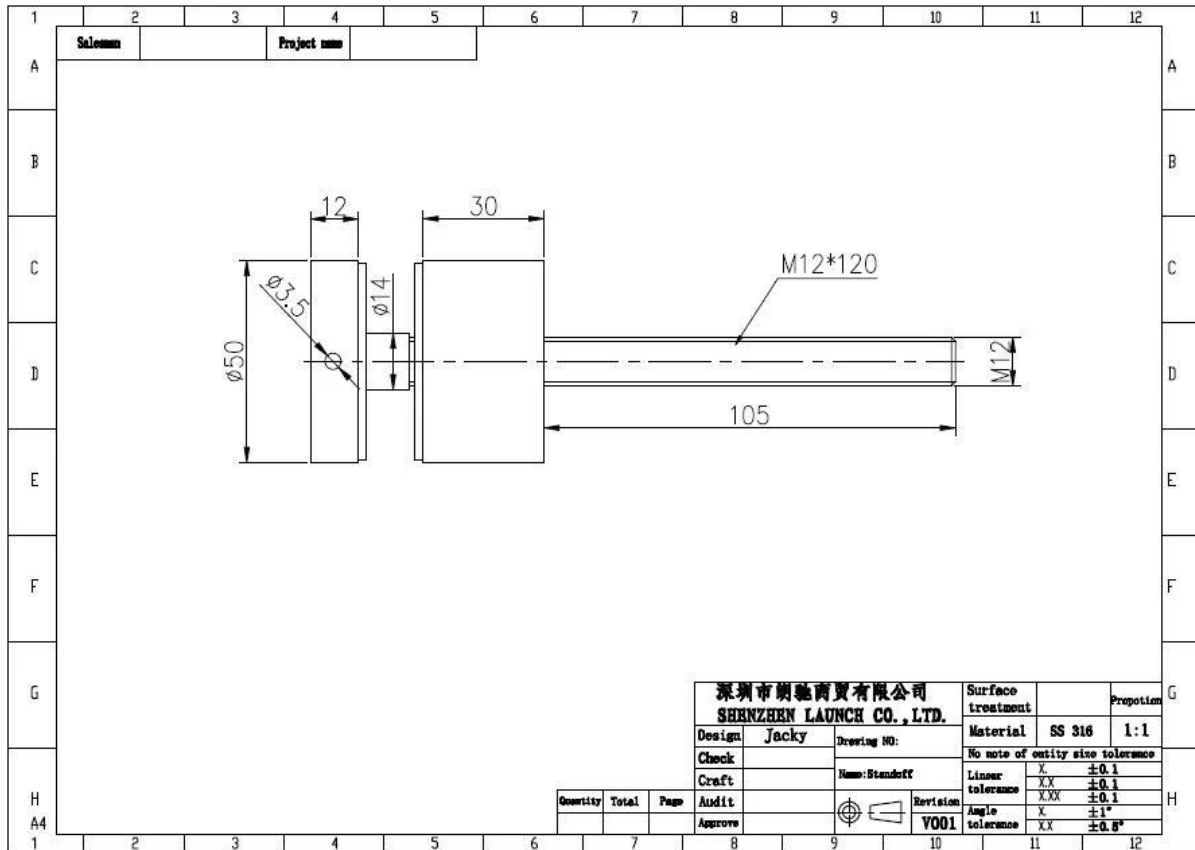
Prawdziwe produkty:







**Rysunek techniczny:**



深圳市朗馳商貿有限公司 SHENZHEN LAUNCH CO., LTD.			Surface treatment	Propotion
Design	Jacky	Drawing NO: SF-68	Material	1:1
Check		Name: Standoff	No note of entity size tolerance	
Craft		Revision	Linear tolerance	X ±0.1
Audit		V001	XX	±0.1
Approve			XXX	±0.1
			Angle tolerance	X ±1°
			XX	±0.5°

**Zdjęcia do projektu:**

klosz szklany zewnętrzny i wewnętrzny, konstrukcja bezramowa z balustradami ze stali nierdzewnej, wspornik ze szkła ze stali nierdzewnej, trzpień dystansowy ze szkła

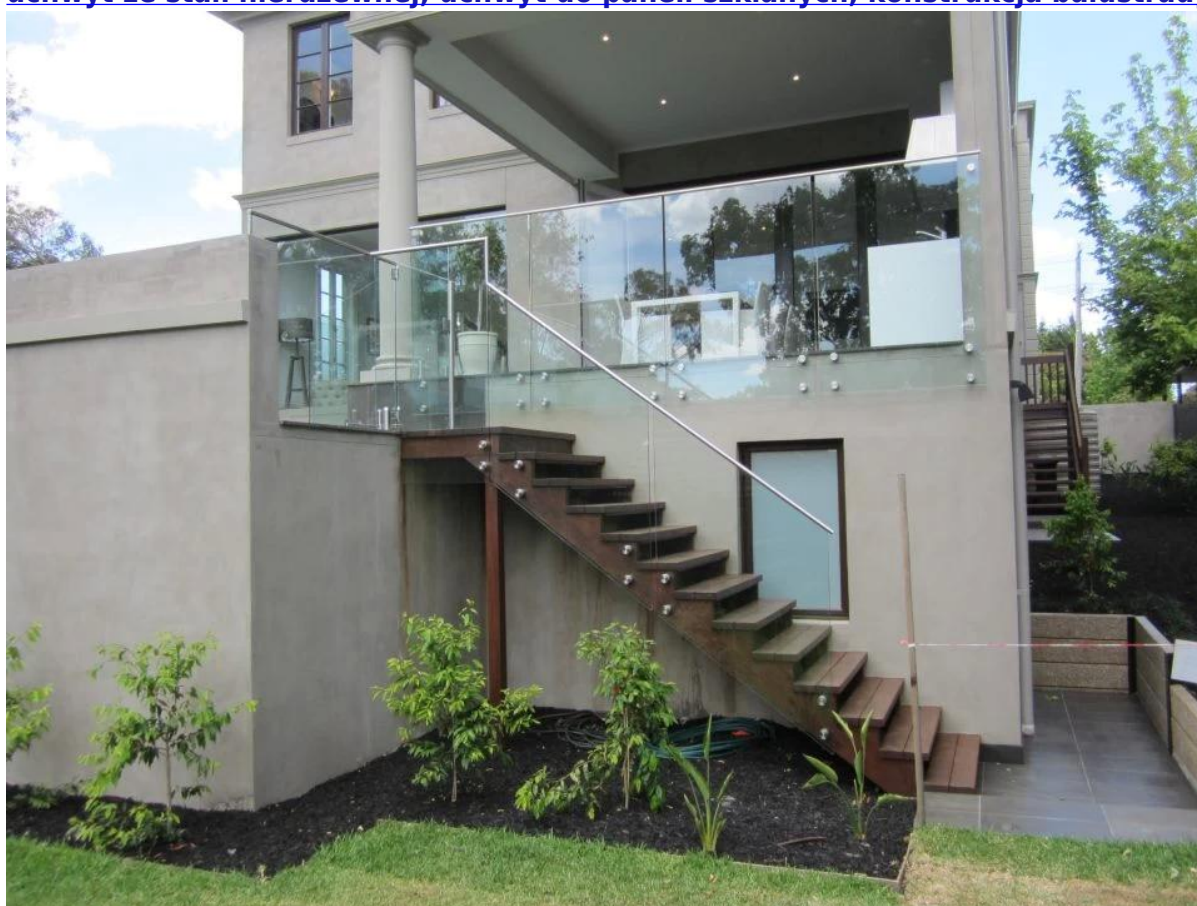




**[Odgiętka ze szkła ze stali nierdzewnej do bezramowej balustrady szklanej](#)**



**uchwyt ze stali nierdzewnej, uchwyt do paneli szklanych, konstrukcja balustrady**



Informacje o firmie:

Shenzhen Launch Co., Ltd was established in 2004, located at Nanshan District, Shenzhen, and one hour by car from Hongkong International Airport. Our main product is high-grade building materials includes stainless steel balustrade post, staircase handrail, balcony guardrail, swimming pool fence and other high-grade building materials. All the products are designed strictly according to the high-end market requirements. We have our own factory in Tangxia Town, Dongguan, has a variety of precision equipment more than 50 sets: CNC lathe, milling machine, punching machine, pipe cutter, argon welder, drilling machine, polisher, etc. which can provide customers with complete product processing services. With the German SPECTRO Spectrometer, we insist on testing every batch of materials to ensure that the material is highly qualified. We also have hardness gauge, secondary element and other test equipment to ensure the products meets customers' requirements.

## ABOUT US

### Our Team



# OUR ADVANTAGE

Please do not hesitate to contact us if you have any requirement regarding our production lines, you can expect a timely reply with professional solutions!



Own factory, shortest lead time.



Can help customers design product drawings based on customer ideas and design engineering installation drawing according to the customer site sketch.



Sample order, trial order acceptable.



Provide material test report to ensure that the material is qualified.



13 years of industry experience, we can help customers recommend the best solution to help customers save cost.

# OUR FACTORY

More than 13 years experience in hardware industry design and processing, we can provide customized services from design to the sample and small batch trial production.



# OUR CERTIFICATE

With premium quality, competitive price and superior service, we won a lot of customers' favor.  
Our products are popular in North America, European and Australia.





# PRODUCTION PROCESS



Casting



CNC lathe



CNC Milling



Stamping



Drilling & Tapping

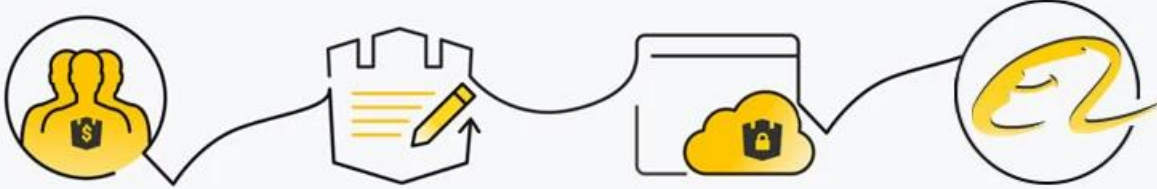


Polishing



# PAYMENT & TRANSPORTATION

Welcome Alibaba Trade Assurance Order!



1 Start an order

2 Negotiate terms with our sales service & confirm order

3 Make payment

4 Alibaba provide full assurance



# FAQ

## 1. What materials do you have?

SS304, SS316, SS316L, Duplex 2205, etc.

## 2. Can you send me your whole price list?

Sorry, as the price related to many factors, such as quantity, material type, surface treatment and so on, we will offer you exact quote after we confirm your detailed requirements.

## 3. Do you offer OEM & ODM service?

Yes, we can make the products according to your technical drawings or samples, we are professional in investment casting, die casting, stamping, CNC machining, etc.

## 4. What kind of payment you accept?

T/T, L/C, PayPal, West Union, etc.

## 5. What is your payment term?

TT(30/70) or LC at sight.

## 6. What is your delivery time?

Within 5 workdays for hot-sale items, 15-25 workdays for batch orders.

## 7. Do you offer after-sales service?

Of course, any question after you purchase our products, we will get back to you within 24 hours.

**Skontaktuj się z nami aby uzyskać więcej informacji!**

**Email: sales03@launch-china.cn**

**Mob: +8615907334556**