

Szkoło Czop SBM Wstęp:



SBM

Wymiary:

Wysokość: 168MM;

Szerokość: 50mm okrągła;

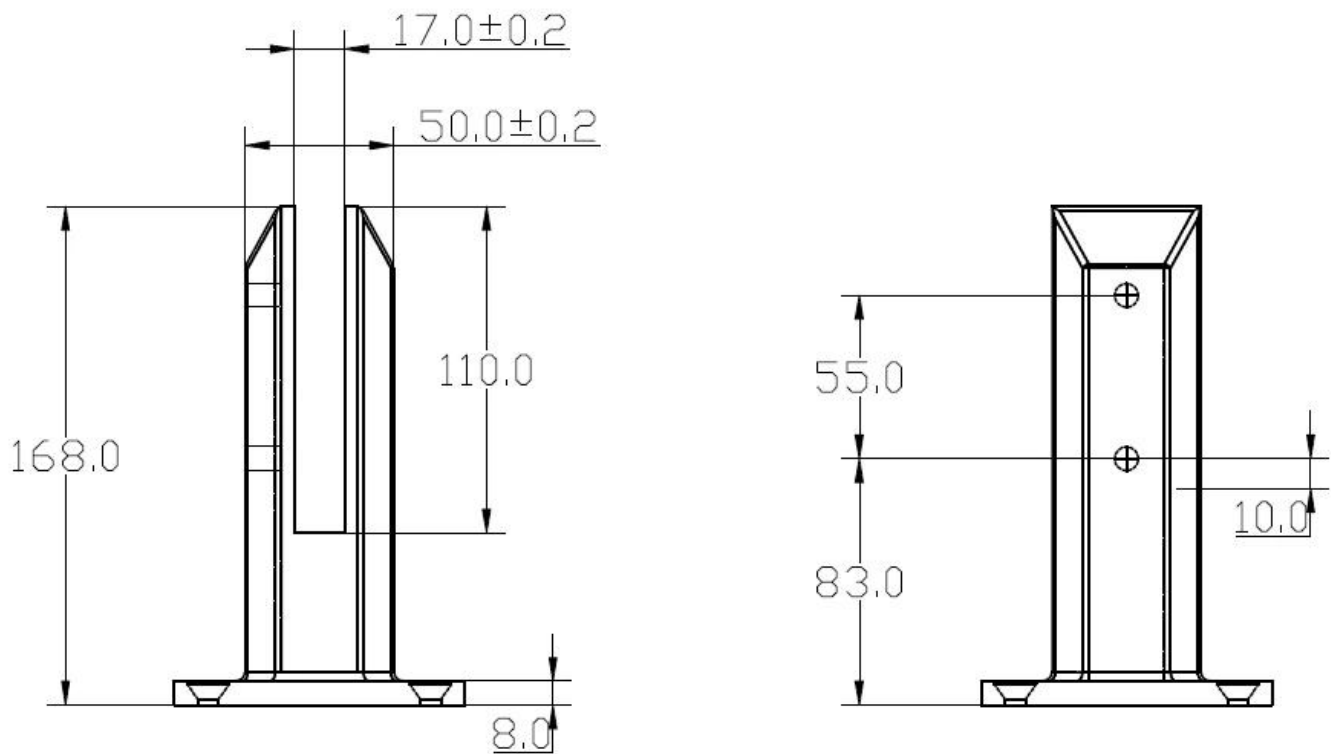
Wysokość rowka: 110mm;

Groove do dołu: 58mm;

Średnica podstawy: 98mm;

Pokrywa o średnicy: 100mm;

2 x M8 grub screws, SS316 pressure plate, special high quality kauczuk silikonowy uszczelka. 100mm diameter dress ring/ cover plate to suit the round spigot for hiding visual fixings (cover plate must be used with installation).



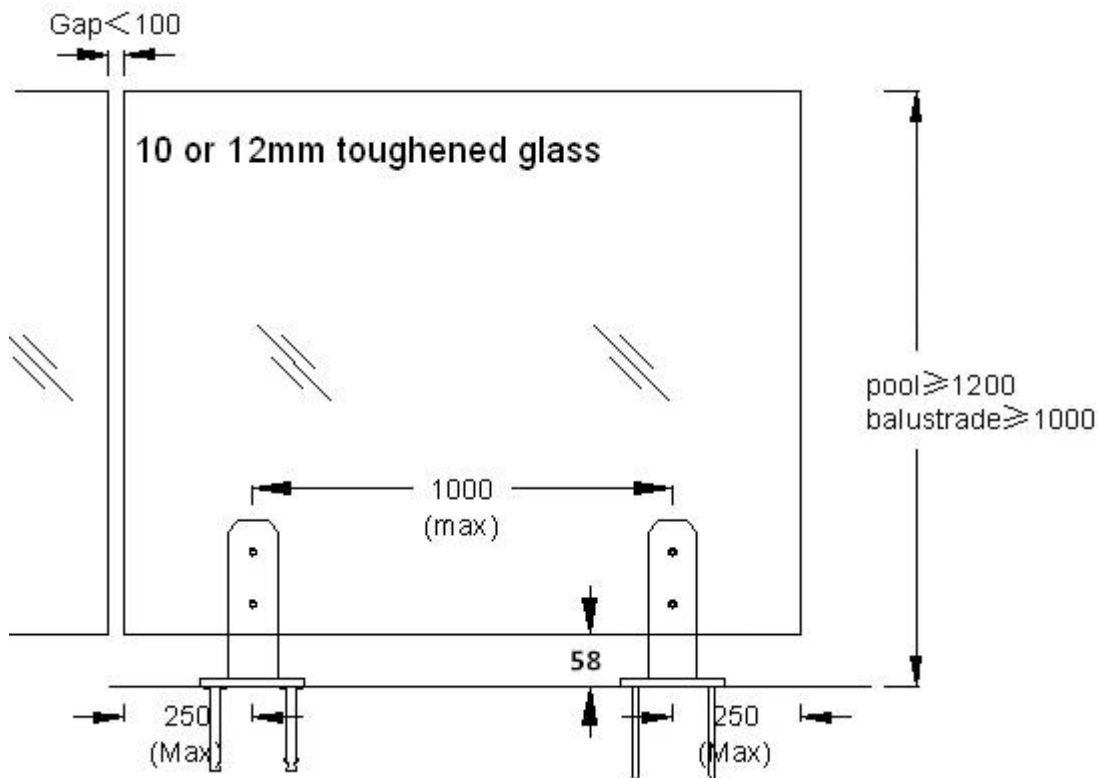
Material:

Marine grade 316 Stainless Steel material to maximize the products life and appearance. This premium quality material is low carbon, anty rdza - tough, durable, excellent resistance to corrosion, suitable for outdoor uses.

Powierzchnia:

Finished with a fantastic high quality mirror polished finish.

Pobierz [Szkło kurek SBM rysunek techniczny](#) tutaj.



Szkło Czop SBM Funkcja:

- 1.Strong friction clamping system for NO HOLE glass, quick and easy to DIY Install. You can put as many clamps as you like along larger panels of glass.
- 2.Glass czopy są stałe ze stali nierdzewnej! Nie Hollow!
- 3.Suits 10 LUB 12mm hartowane szkło.
- 4.Designed and manufactured according to Australian Standard for swimming pool fencing safety, Australia Balustrade Standard ASI NZS.

Szkło Czop SBM Zastosowanie:

Stainless steel glass spigots used for fixing glass of swimming pool fencing walls for outdoor living, antirust and very durable.

Nice-

looking mini posts apply to support 10 or 12mm fully frameless glass for fence in home & garden.

Glass gator clamps for the construction of glass handrails for a beautiful stair balustrade or balcony.

Szkło Czop SBM Instalacja DIY:

- 1.Mark poza linię środkową proponowanej szklanego ogrodzenia.
- 2.Determine spigot location and mark out the hole positions, drill the required holes.
- 3.Bolt the base plated spigot into position using the expansion screws for concrete/pavings/tiles or timber screws for wooden decking.
- 4.Fit zaślepkę przed zainstalowaniem bezramowe szyby.
- 5.Install the glass to the spigots and tighten the clamp with supplied Allen key.

Szkło Czop SBM Pakowanie:

Each glass spigot with 1 cover fitted is wrapped up with one air foam bag to protect from scratches.

Each spigot with foam bag is put into 1 carton box.

4 Śruby rozprężne i 4

szt. sets timber screws for installation wrapped by thick rubber hose is put together with 1 spigot.

4 małe pudełka są pakowane w 1 dużym kartonie.

1 set installation tool allen keys free supplied in 1 big box.

Each big carton box is individually wrapped up with wrapping film & packing tapes.