

WHY CHOOSE US



15 YEARS EXPERIENCE

We have been manufacturing railing hardware since 2004.



ONE STOP SERVICE

We provide integrated railing solutions. We manufacture. We deliver.



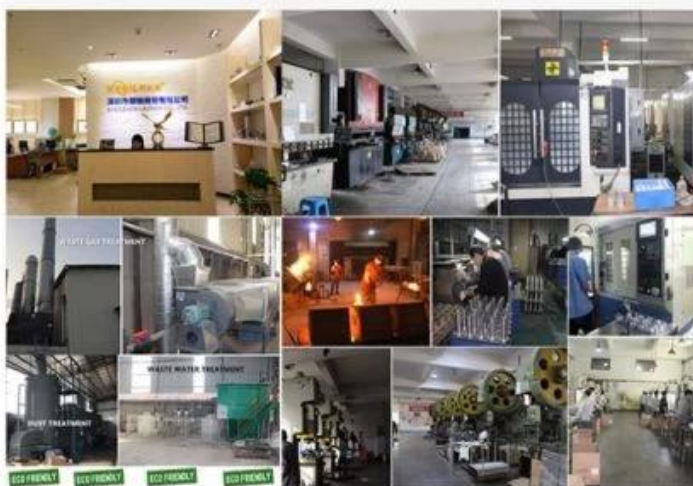
PROFESSIONAL R&D TEAM

We have engineering experts for developing new products.



TOP QUALITY & GOOD PRICE

We are strict on quality control as well as cost evaluation.



ABOUT US

Shenzhen Launch Co., Ltd was established in 2004, located at Nanshan District, Shenzhen, and one hour by car from Hongkong International Airport. Our main products are high-grade building materials including stainless steel balustrade post, staircase handrail, balcony guardrail, swimming pool fence and other high-grade building materials. All the products are designed strictly according to the high-end market requirements. We have our own factory in Tangxia Town, Dongguan, with more than 50 sets of various precision equipments, such as CNC lathe, milling machine, punching machine, pipe cutter, argon welder, drilling machine, polisher, etc. which can provide customers with complete product processing services.

Produkt Pokazać

Ze stali nierdzewnej Balustrada Szkło Mini Post Bracket Szklany Szyna

Element nr.	LCH-116.
Rozmiar podstawowy	100 x 100 mm dla 4 otworów
Materiał	Stal nierdzewna 316.
koniec	Szczotkowany nikiel/ Polerowany chrom / galwanizacja



Krótka szklana balustrada

Balustrade Short Post



Aluminum post
(aluminum 6063 T5)

- *400mm high
- *50x50x3mm tube
- *50x5mm plate

Finish:
anodizing
powder coating

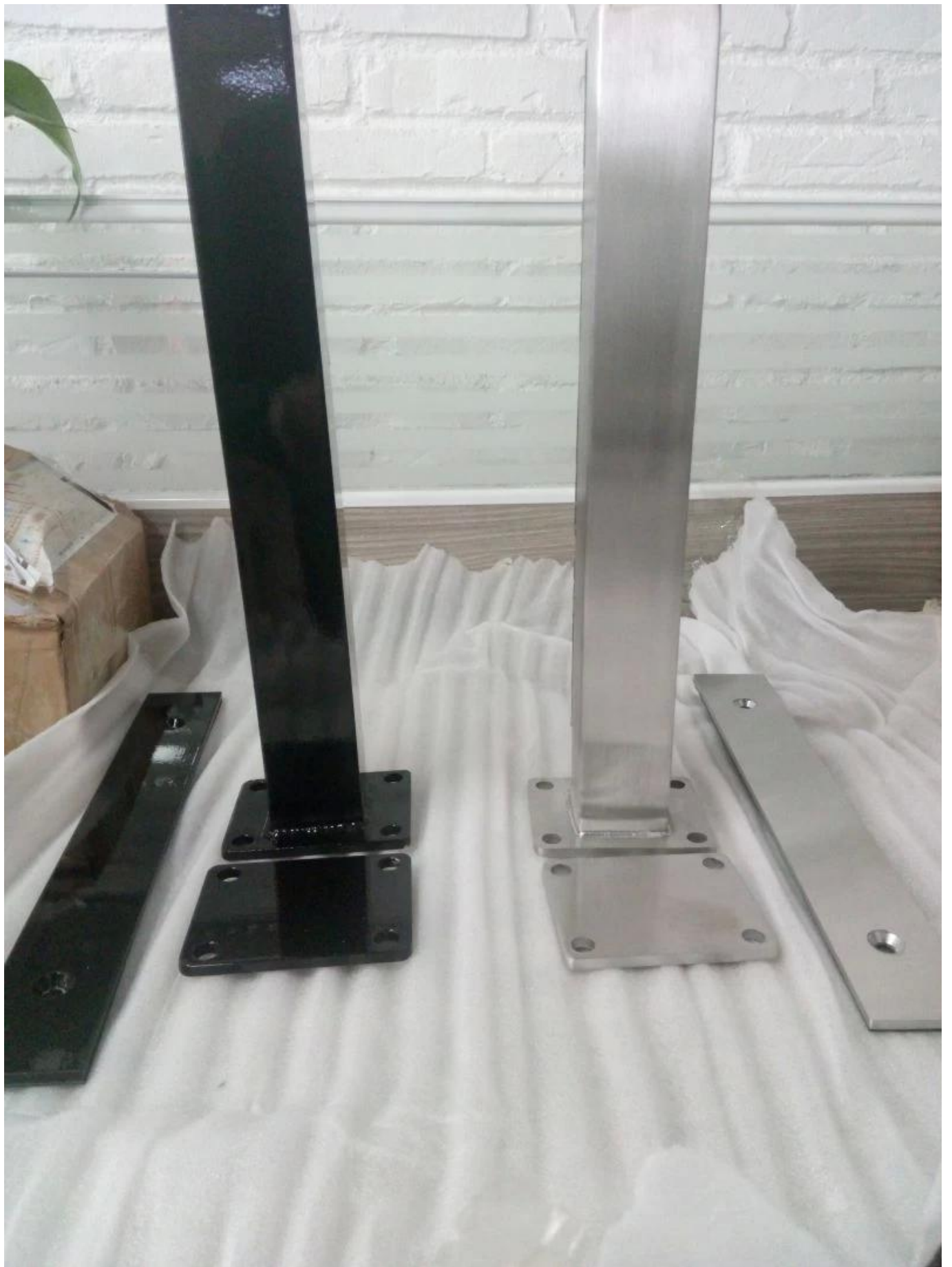


Stainless steel post
(SS 316)

- *400mm high
- *50x50x1.5mm tube
- *50x5mm plate

Finish:
polished
brushed







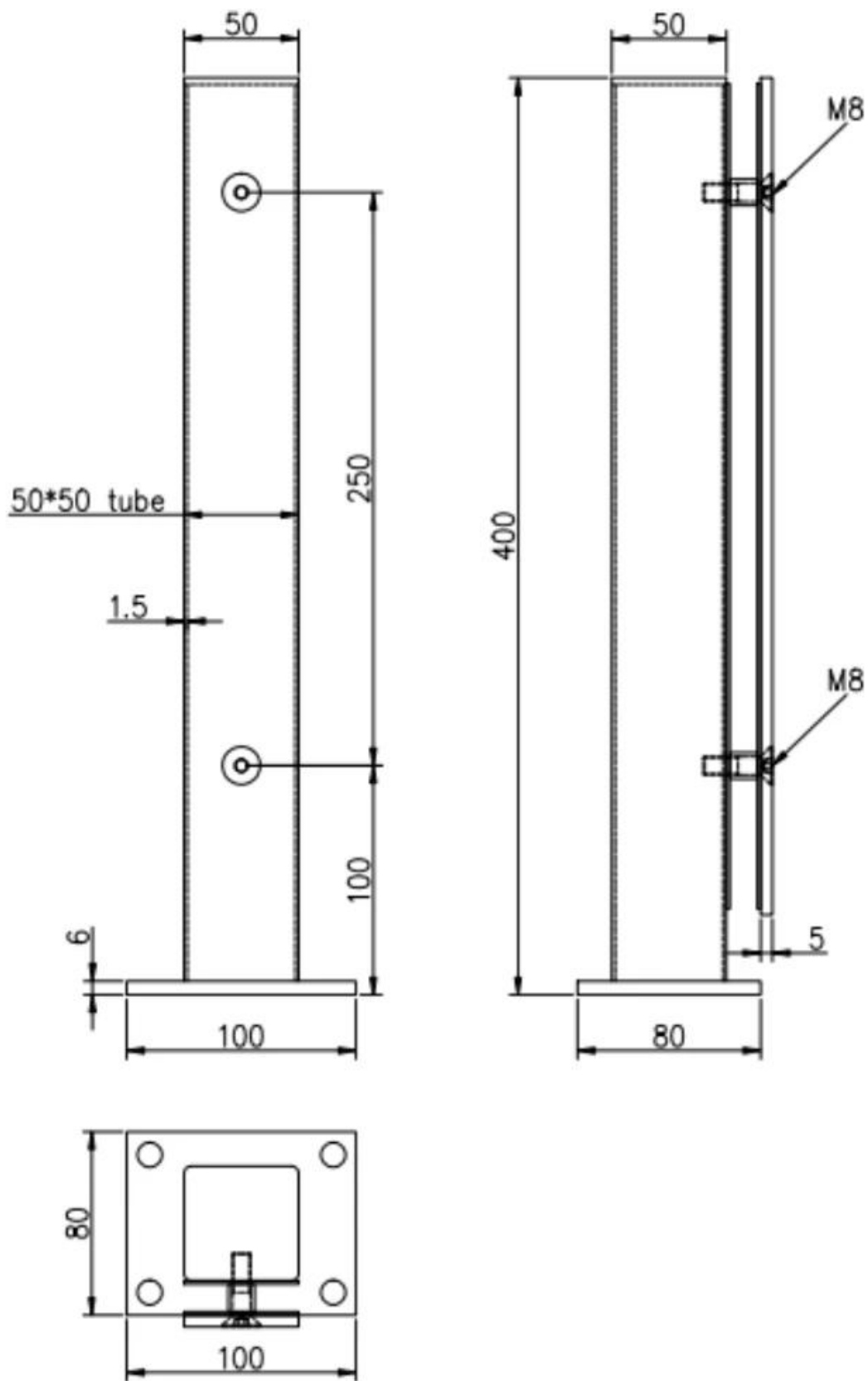


Produkcja masowa

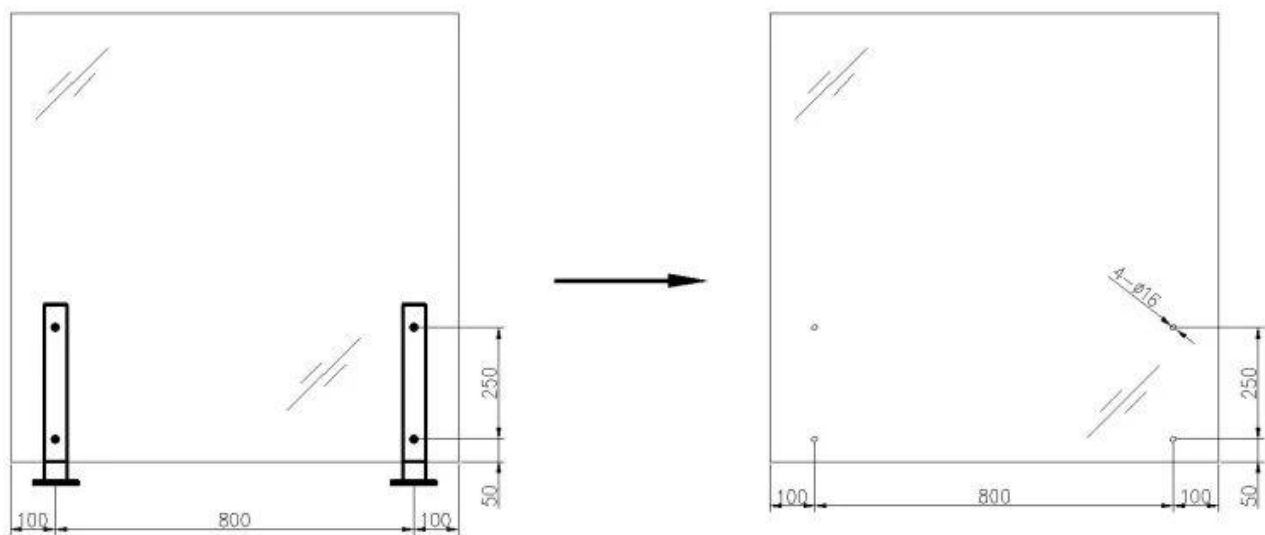




TechnicznyRysunek:



Rysunek do otworu wiertła



Zdjęcie projektu.







**Proszę zwrócić uwagę na kontakt następujący:
Przeddział
E-mail: sales03@launch-china.cn.
HP / WhatsApp: +8613686807796**