

Shenzhen Launch Co., Ltd specjalizuje się w opracowywaniu i produkcji wysokiej jakości materiałów budowlanych z metalu, elementów do obróbki skrawaniem i produktów do łoczenia blach od 2004 roku. Jesteśmy godnym zaufania producentem i dostawcą dla klientów na całym świecie.

WHY CHOOSE US



15 YEARS EXPERIENCE

We have been manufacturing railing hardwares since 2004.



ONE STOP SERVICE

We provide integrated railing solutions.
We manufacture.
We deliver.



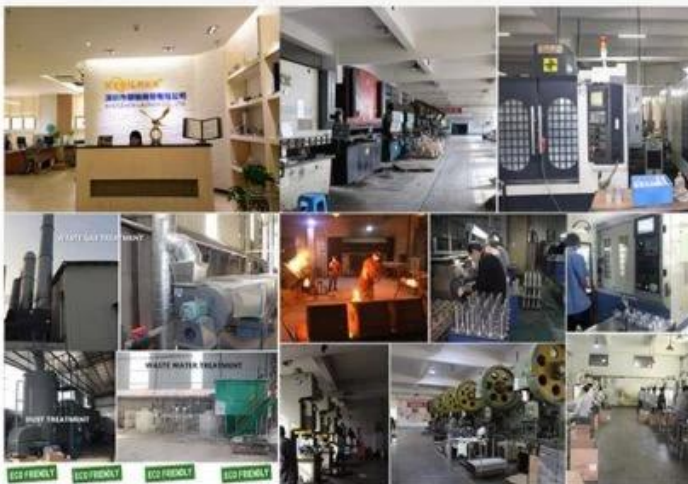
PROFESSIONAL R&D TEAM

We have engineering experts for developing new products.



TOP QUALITY & GOOD PRICE

We are strict on quality control as well as cost evaluation.



ABOUT US

Shenzhen Launch Co., Ltd was established in 2004, located at Nanshan District, Shenzhen, and one hour by car from Hongkong International Airport. Our main products are high-grade building materials including stainless steel balustrade post, staircase handrail, balcony guardrail, swimming pool fence and other high-grade building materials. All the products are designed strictly according to the high-end market requirements. We have our own factory in Tangxia Town, Dongguan, with more than 50 sets of various precision equipments, such as CNC lathe, milling machine, punching machine, pipe cutter, argon welder, drilling machine, polisher, etc. which can provide customers with complete product processing services.

COMPANY INTRODUCTION

Verification Type:  Supplier Assessment  Onsite Check



Country / Region:
Guangdong, China ✓



Year Established:
2004 ✓



Main Products:
CNC Machining Parts, Stamping Pa... ✓



Main Markets:
North America, Oceania, Mid East... ✓



Total Annual Revenue:
confidential ✓



Total Employees:
11 - 50 People ✓

Alibaba.com Gold Plus Supplier

Alibaba.com Gold Plus Supplier

Verified

Main Product Lines Verification Report

Assessment Report

Presented to

Presented to

Shenzhen Launch Co., Ltd.

Cooperation Company of Shenzhen Launch Co., Ltd.

深圳市朗驰商贸有限公司

深圳市朗驰商贸有限公司合作工厂

Company Address	B5003, Building 3, Yilida Building, No. 1092 Nanshan Avenue, Dengliang Community, Nanshan Street, Nanshan District, Shenzhen City, Guangdong Province, China
Consigner of Assessment:	Alibaba
Gold Supplier Member ID:	launch168
Gold Supplier Company Name:	Shenzhen Launch Co., Ltd.
Contact Person:	Mr. Binfeng Gao
Phone Number:	0086-13802569770
Fax Number:	0086-755-86372611
Email:	gbf999@china.com
Website Address (URL):	http://launch-china.en.alibaba.com

Gold Supplier & Assessed Company Relationship:	<input type="checkbox"/> Self-owned <input type="checkbox"/> Wholly Owned <input type="checkbox"/> Shareholder/Partner <input type="checkbox"/> Kindred between Owners <input checked="" type="checkbox"/> Cooperation Partner
Company Address	Confidential
City / Country:	Huzhou / China
Consigner of Assessment:	Alibaba & Shenzhen Launch Co., Ltd.
Gold Supplier Member ID:	launch168
Gold Supplier Company Name:	Shenzhen Launch Co., Ltd.
Contact Person:	Confidential
Phone Number:	Confidential
Fax Number:	Confidential
Email:	Confidential
Website Address (URL):	http://launch-china.en.alibaba.com

Service Provided by SGS
Report No.: 19536352_P+T

Service Provided by SGS
Report No.: 19552720_P



Produkty Pokaż



KEBIL 科比奥®



Marine Duplex 2205 Spigot



Inne typy Szklany czop

Nr części	Materiał	koniec	Grubość szkła	Uwagi
RBM	Duplex 2205 316SS 304SS	Satyna / Lustro	10-13,52 mm	
SCM	Duplex 2205 316SS 304SS	Satyna / Lustro	10-13,52 mm	Dodatkowa długość jest dostępna po spawaniu
RCM	Duplex 2205 316SS 304SS	Satyna / Lustro	10-13,52 mm	Dodatkowa długość jest dostępna po spawaniu

SFM	Duplex 2205 316SS 304SS	Satyna / Lustro	10-13,52 mm	
---------------------	-------------------------------	-----------------	-------------	--

Część nr: RBM

KEBIL 科比奥®



Część nr: SCM

KEBIL 科比奥®



Część nr: RCM



Część nr: SFM

KEBIL 科比奥®

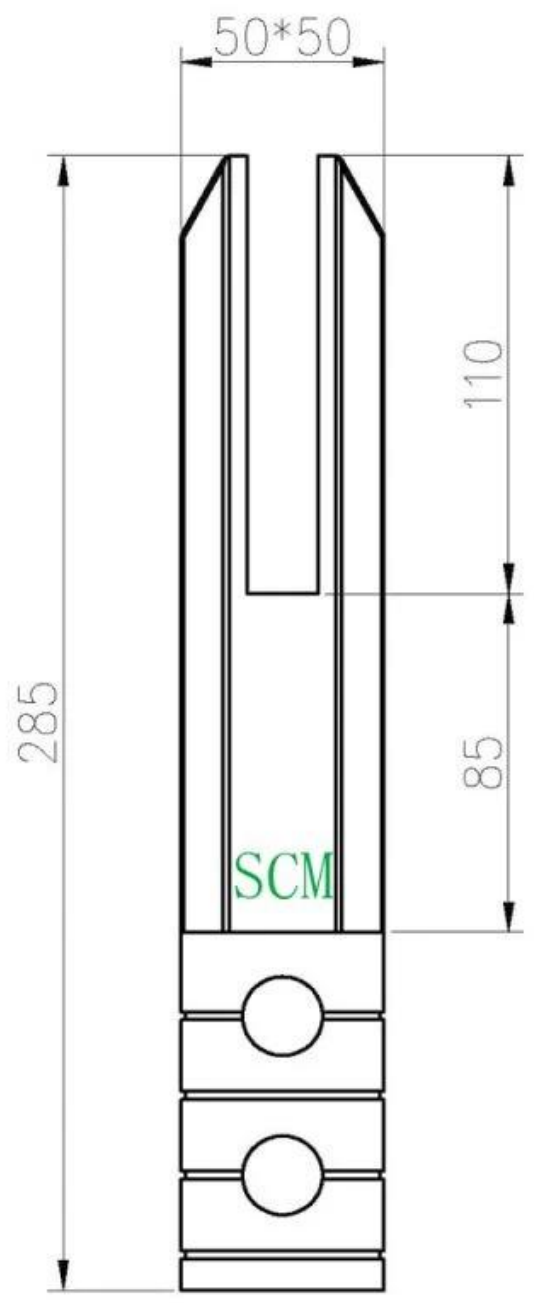
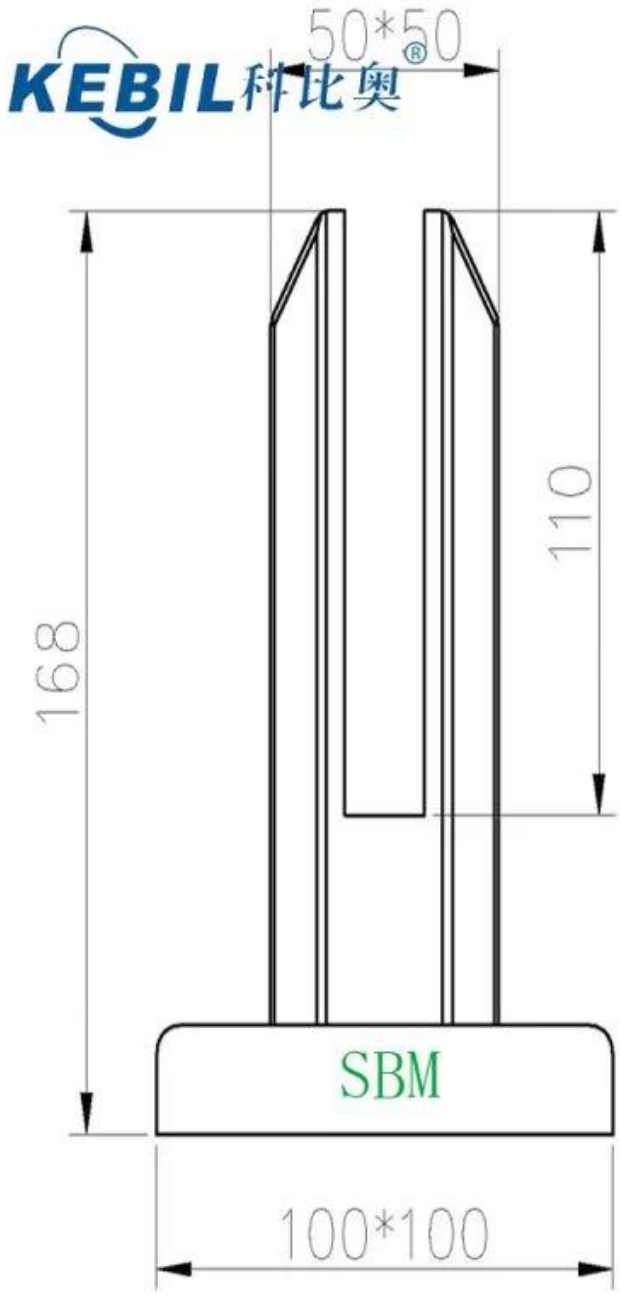


KEBIL 科比奥®



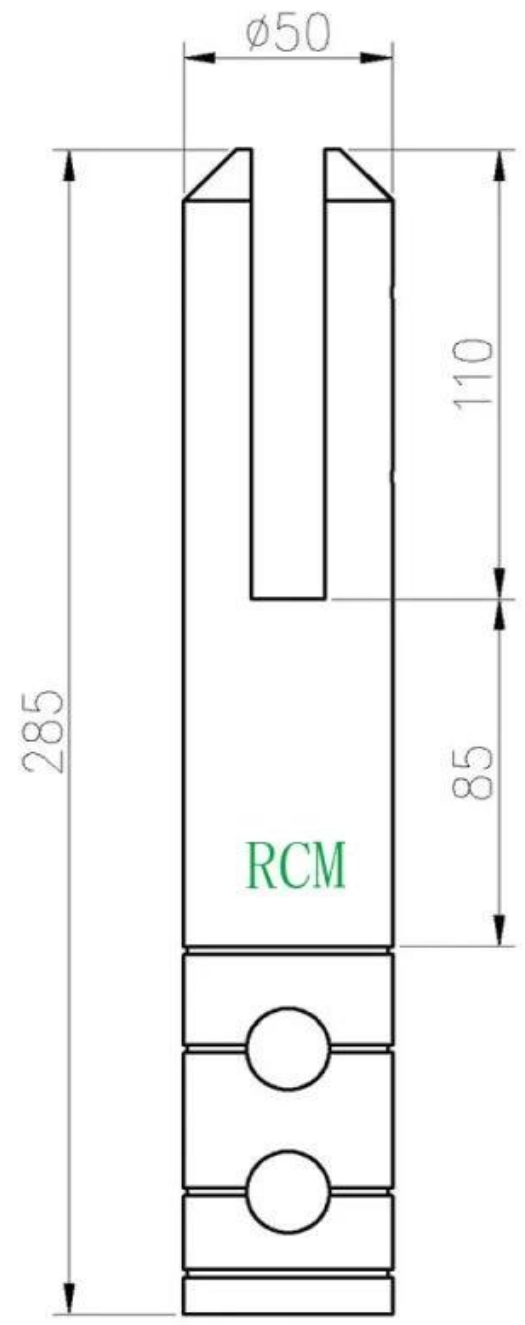
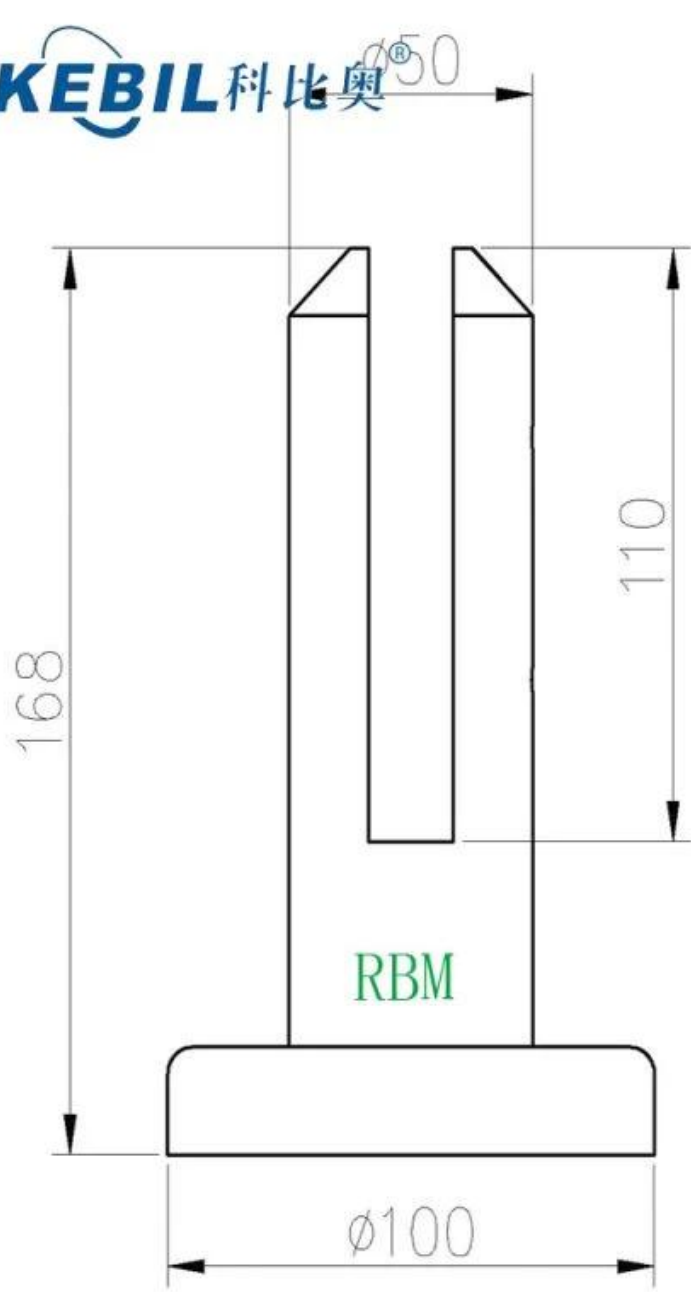
Rysunek techniczny

SBM i SCM

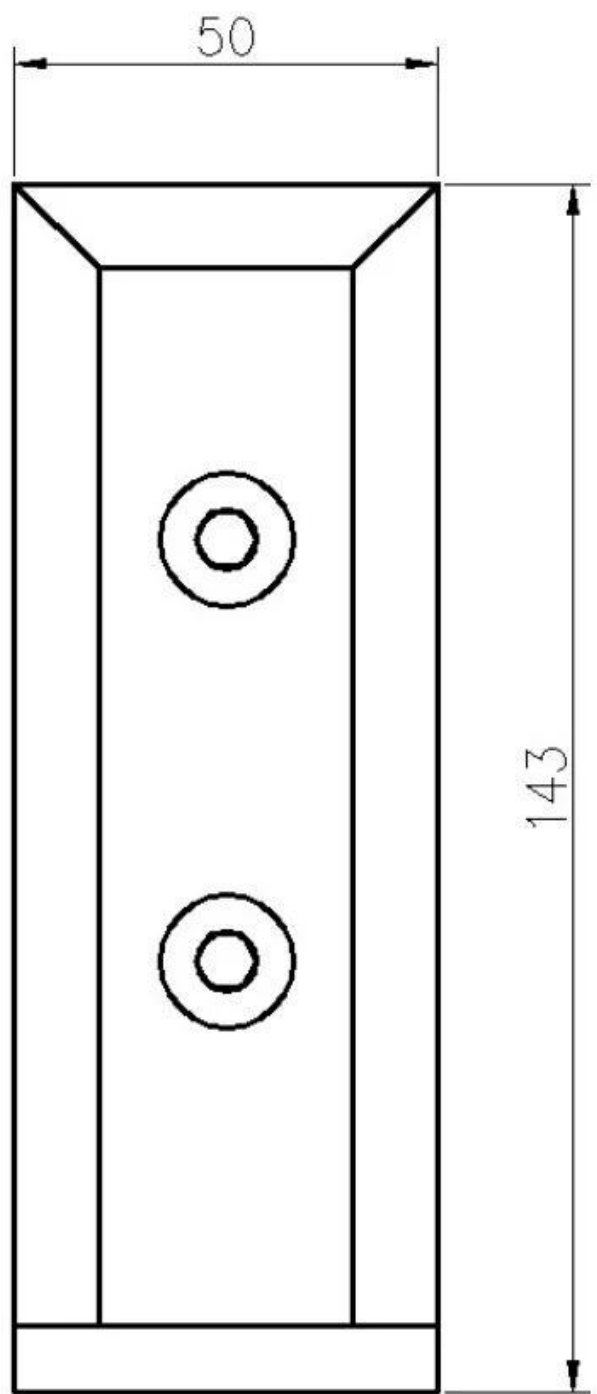
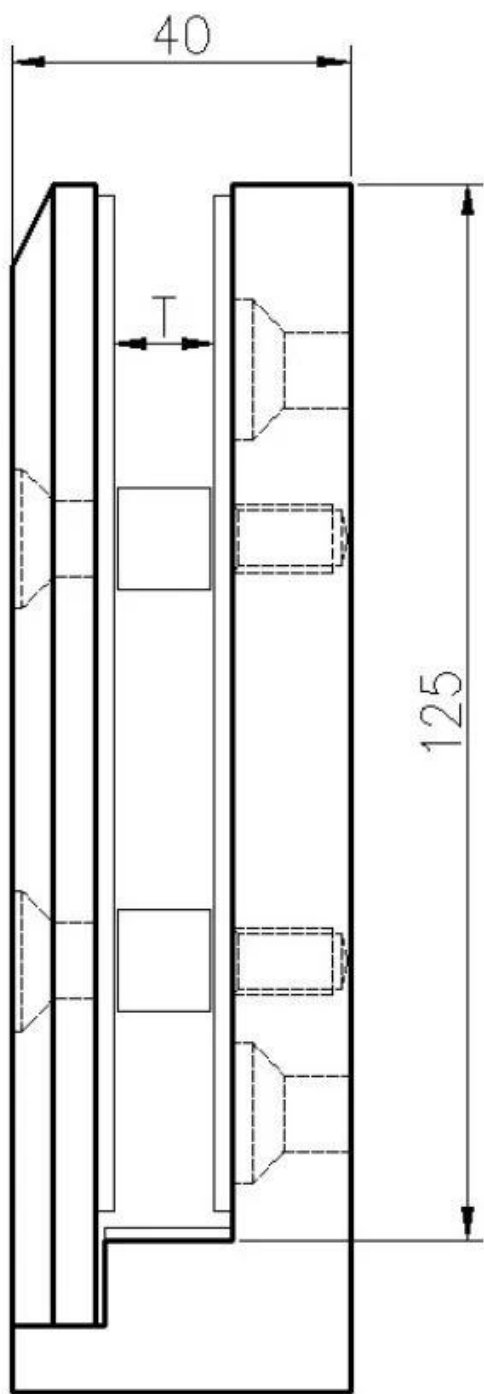


RBM i RCM

KEBIL 科比奧



SFM montowany z boku



Rysunki aplikacji

KEBIL 科比奥®





Prosimy o kontakt, jeśli masz do nich zapytanie.

Do wiadomości: Frank Fang

Telefon: + 8615906261741

E-mail: sales02@launch-china.cn