

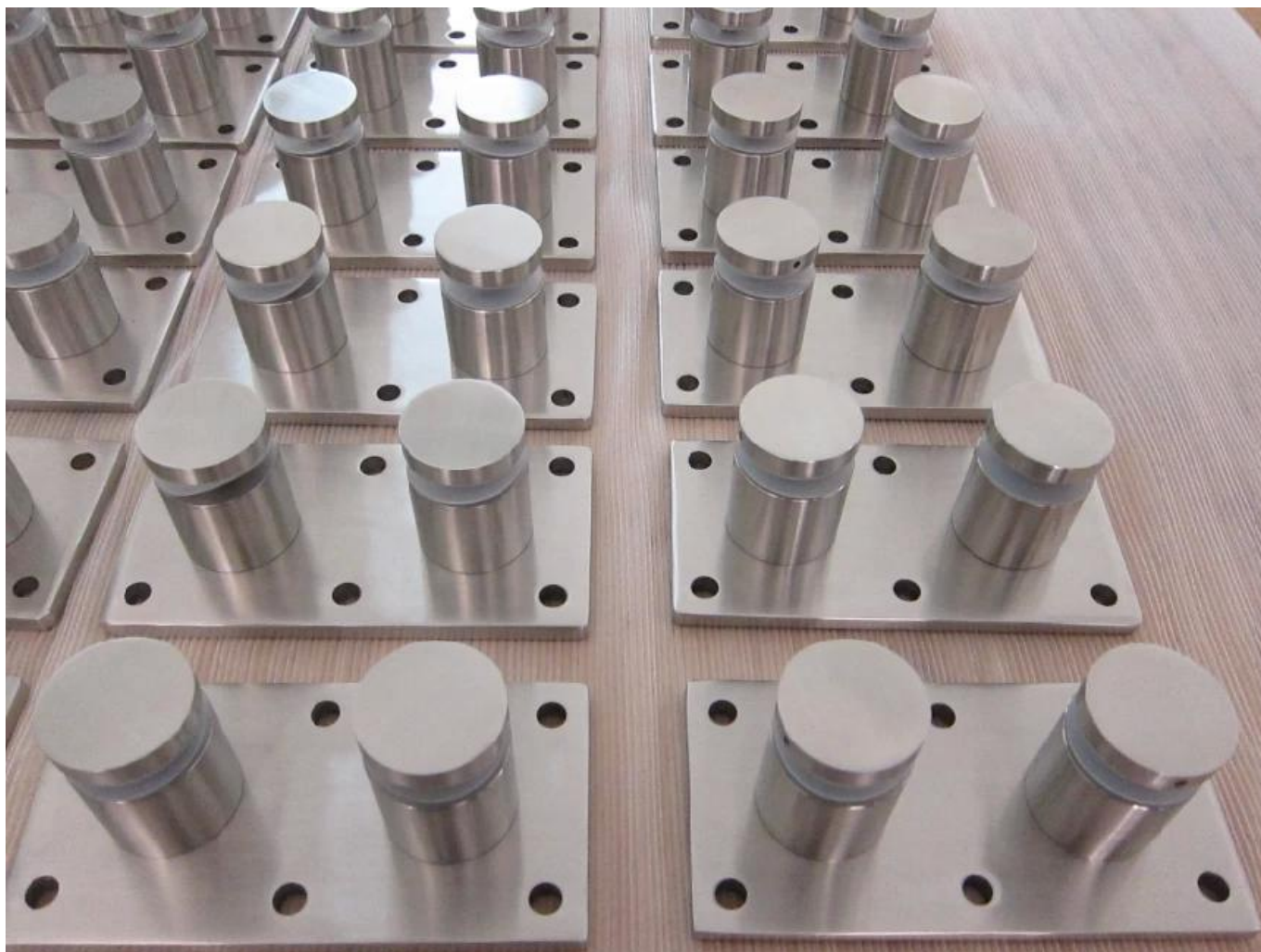
Zacisk ze stali nierdzewnej, balkon balkonowy i szklany z Juliet

Nazwa produktu	Zacisk ze stali nierdzewnej, balkon balkonowy i szklany z Juliet
Model nr.	SF-50T
Materiał	Stal nierdzewna 304/316
koniec	Lustro polerowane lub satynowane
Rozmiar szkła dystansowego	Nasadka 50x12mm, korpus 50x44mm, podstawa 200 * 100 * 10
Dla grubości szkła	12-19 mm lub zgodnie z wymaganiami klientów
Wiercona szklana dziura	Wymagana średnica 14 mm w szkłe
Waga netto	3236 g / sztuka
Montowanie	podłoże drewniane, stalowe lub betonowe
MOQ	Jeden kawałek
Próba	Dostępny
OEM i & Usługa ODM	Do przyjęcia
Podanie	Konstrukcja schodów wewnętrznych i zewnętrznych, balustrada balkonowa, bezramowa balustrada ze szkła, projekt balkonu Julii, pływające schody
Inspekcja fabryki	Dostępny
Opakowanie dystansowe	Jeden kawałek w jednej torebce z bąbelkami, a następnie w jedno białe pudełko, 12 sztuk w jedno kartonowe pudełko lub pakowanie zgodnie z wymaganiami klientów

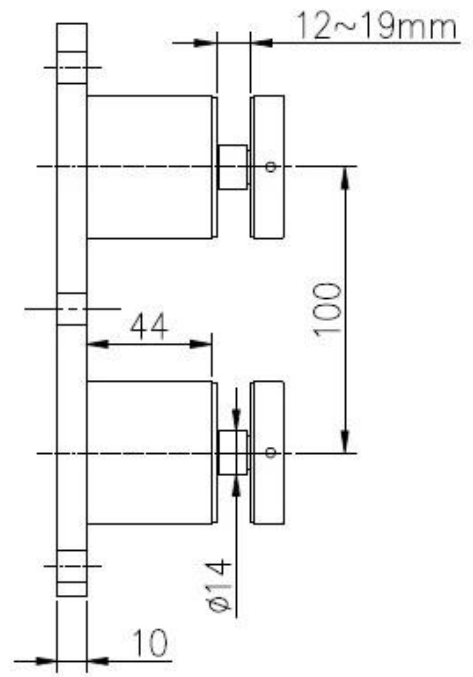
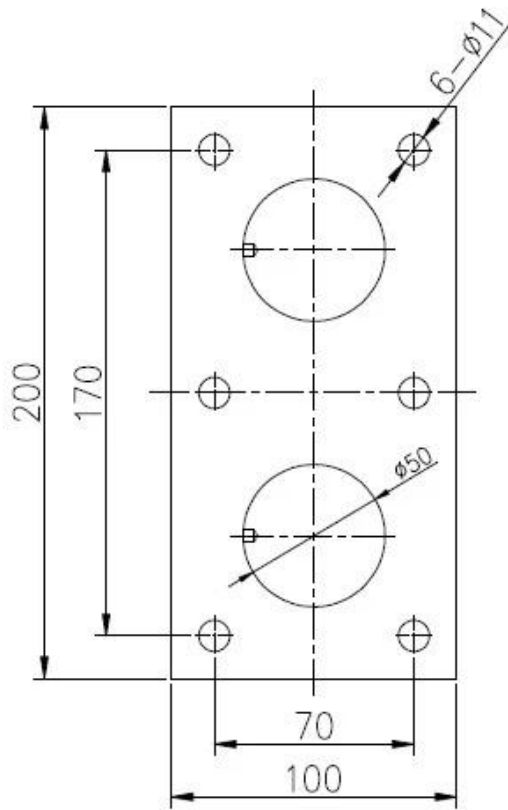
Pokaż produkt:

KEBIL 科比奥®





Rysunek techniczny:



Zdjęcia projektu:



INNE RODZAJE DOSTĘPNE STANDOFONY SZKLANE:

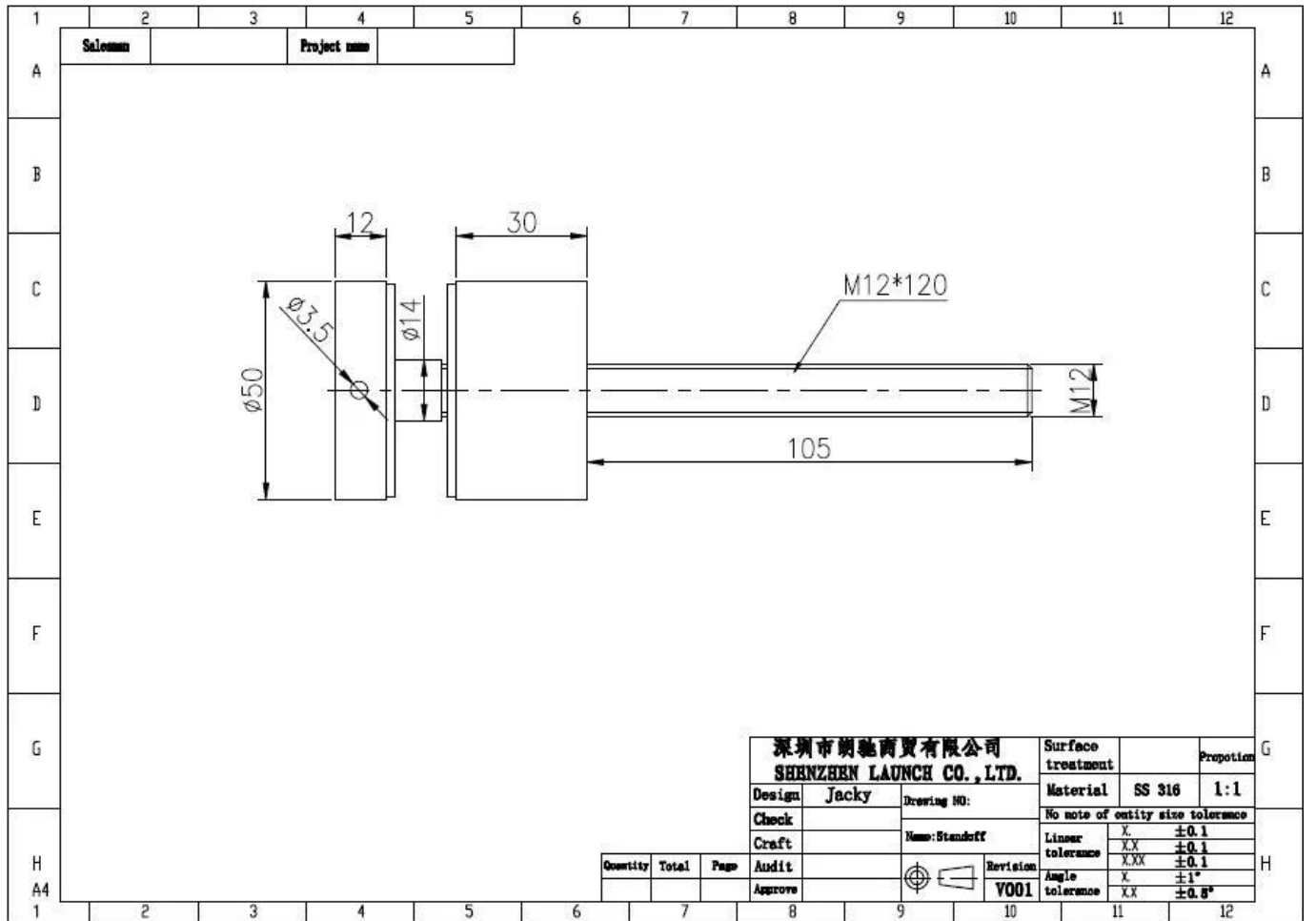
Średnica 50 mm Szklany dystans w Lustro / Satynowe wykończenie Model SF-50:



Z betonową śrubą i wkret do drewna Model SF-50W:

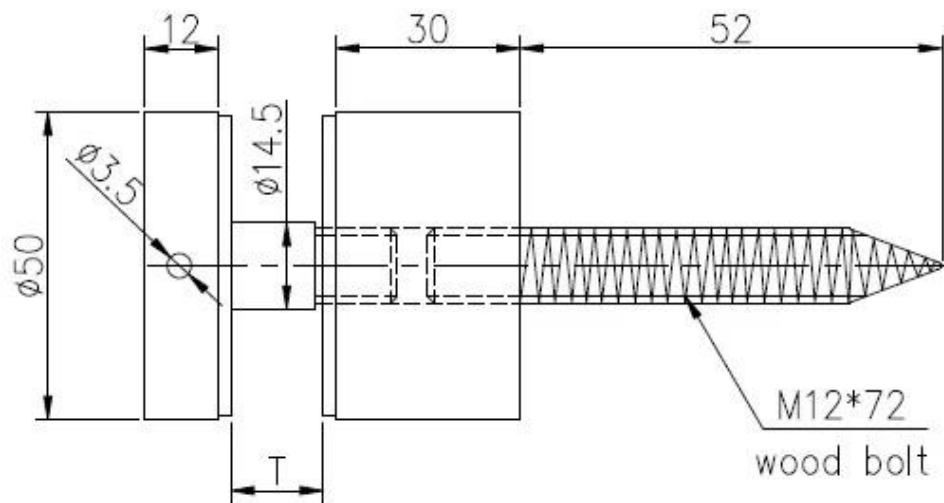


Rysunek techniczny:



深圳市朗馳商貿有限公司			Surface treatment		Preparation
SHENZHEN LAUNCH CO., LTD.			Material	SS 316	1:1
Design	Jacky	Drawing NO:	No note of entity size tolerance		
Check		Name: Standoff	Linear tolerance	X	± 0.1
Craft			Linear tolerance	XX	± 0.1
Audit			Angle tolerance	XXX	± 0.1
Approve			Angle tolerance	X	$\pm 1^\circ$
			Revision	V001	XX
					$\pm 0.5^\circ$

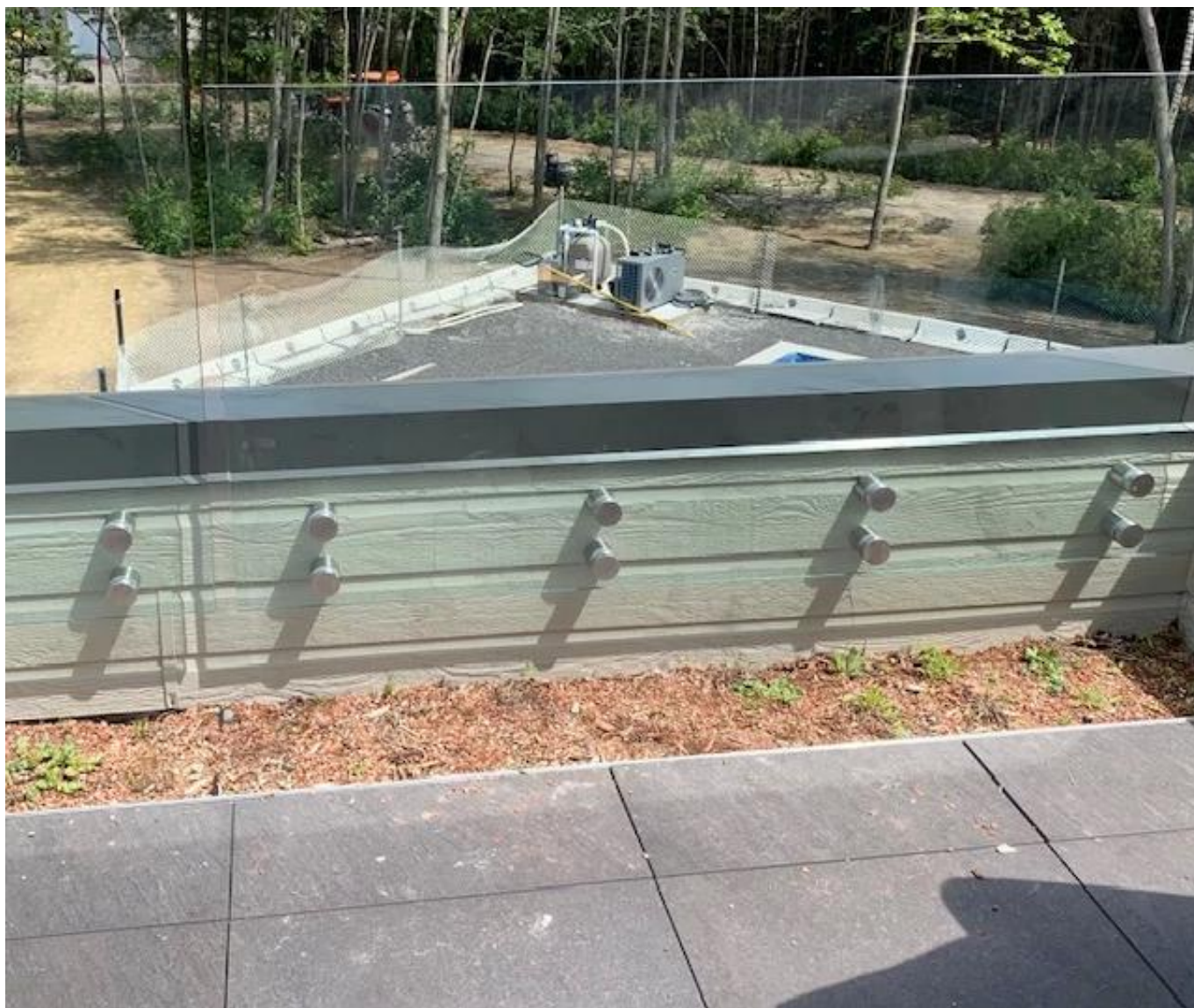
Quantity	Total	Page



			深圳市朗馳商貿有限公司 SHENZHEN LAUNCH CO., LTD.		Surface treatment		Proport
			Design	Jacky	Material		1:1
			Check		No note of entity size tolerance		
			Craft		Linear tolerance	X. ±0.1	
Quantity	Total	Page	Audit		Angle tolerance	X.X ±0.1	
			Approve			X.XX ±0.1	
					Revision	X. ±1°	
					V001	X.X ±0.5°	

Zdjęcia projektu:

szkło zewnętrzne zewnętrzne i wewnętrzne, bezramowa szklana konstrukcja balustrady, wspornik szklany ze stali nierdzewnej, trzpień dystansowy ze szkła



[Stalowa podstawa szklana do bezramowej szklanej balustrady](#)



stal nierdzewna, wspornik do szklanych paneli, konstrukcja poręczy



Informacje o firmie:

Shenzhen Launch Co., Ltd was established in 2004, located at Nanshan District, Shenzhen, and one hour by car from Hongkong International Airport. Our main product is high-grade building materials includes stainless steel balustrade post, staircase handrail, balcony guardrail, swimming pool fence and other high-grade building materials. All the products are designed strictly according to the high-end market requirements. We have our own factory in Tangxia Town, Dongguan, has a variety of precision equipment more than 50 sets: CNC lathe, milling machine, punching machine, pipe cutter, argon welder, drilling machine, polisher, etc. which can provide customers with complete product processing services. With the German SPECTRO Spectrometer, we insist on testing every batch of materials to ensure that the material is highly qualified. We also have hardness gauge, secondary element and other test equipment to ensure the products meets customers' requirements.

ABOUT US



OUR ADVANTAGE

Please do not hesitate to contact us if you have any requirement regarding our production lines, you can expect a timely reply with professional solutions!



Own factory, shortest lead time.



Can help customers design product drawings based on customer ideas and design engineering installation drawing according to the customer site sketch.



Sample order, trial order acceptable.



Provide material test report to ensure that the material is qualified.



13 years of industry experience, we can help customers recommend the best solution to help customers save cost.

OUR FACTORY

More than 13 years experience in hardware industry design and processing, we can provide customized services from design to the sample and small batch trial production.



OUR CERTIFICATE

With premium quality, competitive price and superior service, we won a lot of customers' favor.
Our products are popular in North America, European and Australia.



PRODUCTION PROCESS



Casting



CNC lathe



CNC Milling



Stamping



Drilling & Tapping

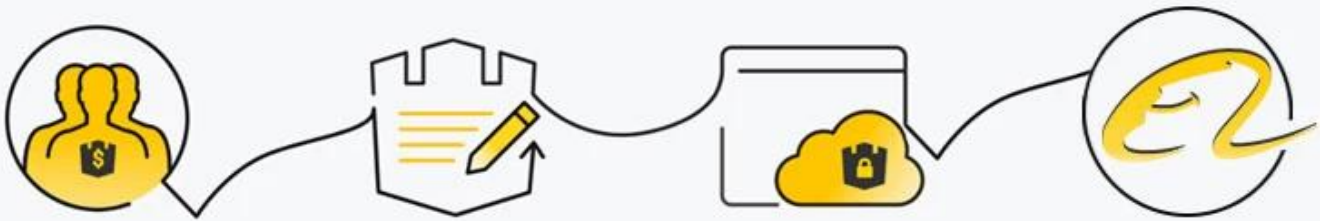


Polishing



PAYMENT & TRANSPORTATION

Welcome Alibaba Trade Assurance Order!



- 1 Start an order
- 2 Negotiate terms with our sales service & confirm order
- 3 Make payment
- 4 Alibaba provide full assurance



FAQ

1. What materials do you have?

SS304, SS316, SS316L, Duplex 2205, etc.

2. Can you send me your whole price list?

Sorry, as the price related to many factors, such as quantity, material type, surface treatment and so on, we will offer you exact quote after we confirm your detailed requirements.

3. Do you offer OEM & ODM service?

Yes, we can make the products according to your technical drawings or samples, we are professional in investment casting, die casting, stamping, CNC machining, etc.

4. What kind of payment you accept?

T/T, L/C, PayPal, West Union, etc.

5. What is your payment term?

TT(30/70) or LC at sight.

6. What is your delivery time?

Within 5 workdays for hot-sale items, 15-25 workdays for batch orders.

7. Do you offer after-sales service?

Of course, any question after you purchase our products, we will get back to you within 24 hours.

Skontaktuj się z nami aby uzyskać więcej informacji!

E-mail: sales03@launch-china.cn

Mob: +8615907334556

Eve Chow

Sales representative

M : +86 159 0733 4556

T : +86 755 8603 7559

E : sales03@launch-china.cn

A : B5-5003, Yilida Bldg, Nanshan District, Shenzhen