

Glass fixing standoff bracket can be used to hold glass panels , and screwed into concrete wall or wood walls ( if to fix into wood , we just need to replace the concrete screw to wood screws) .

Shenzhen launch offers cheap price and high quality standoff bracket for glass fixings .

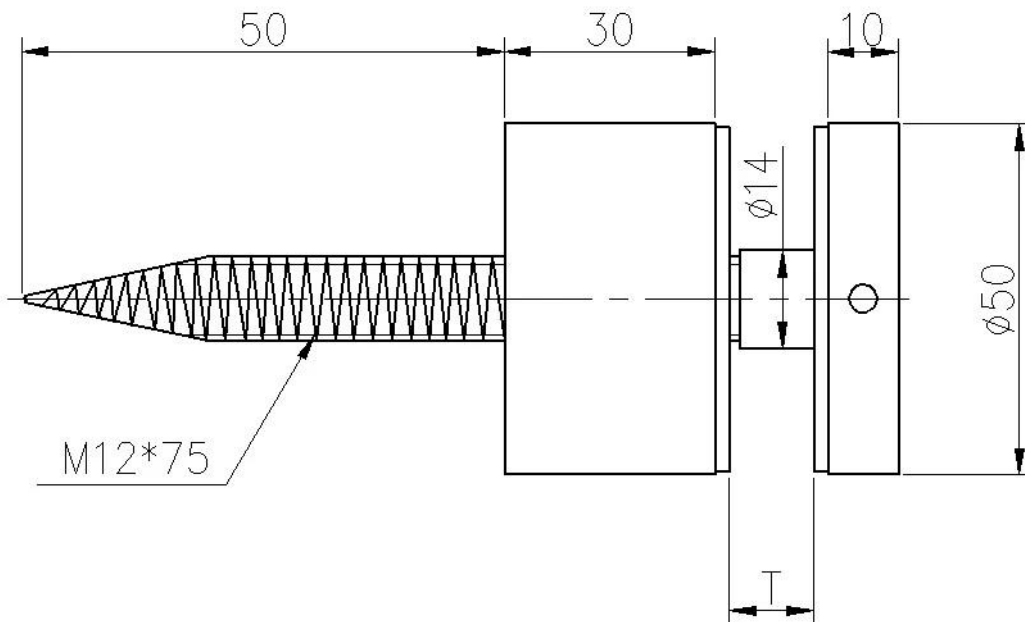
50 DIA standoff with concrete screw :



glass fixing standoff with wood screw :



Standoff drawing for SF-50



Where to apply the standoffs ?

Anywhere for glass railings !

Glass fixing standoff bracket used on balcony railings :



Standoff bracket used on wood balconies :



Standoff used on exterior staircases :



Used on interior staircases :



Standoff applied on swimming pool glass railings :



Standoff on frameless glass railing systems are always looking beautiful and gives you uninterrupted views ☐

Contact us to get more information on our standoffs and price details .

Shenzhen launch has professional sales team and engineering team to give you suggestions and professional services !

Thank you for your time .