

304/316 stainless steel Adjustable Glass Stand Off for frameless glass balustrade systems .

1). Features of adjustable glass stand offs-

Diameter	1 1/2" (38mm)
Material	304/316 stainless steel
Finish	machined finish ; black ; mirror
Hanger bolt	M12* (63MM-127MM)
Tools needed	hanger bolt driver , spanner

2). Photos of adjustable glass stand offs -









SX-7001D

46.9

g  
lb  
oz  
s

NET  
PCS

UNIT

ON/OFF

ZERO  
TARE

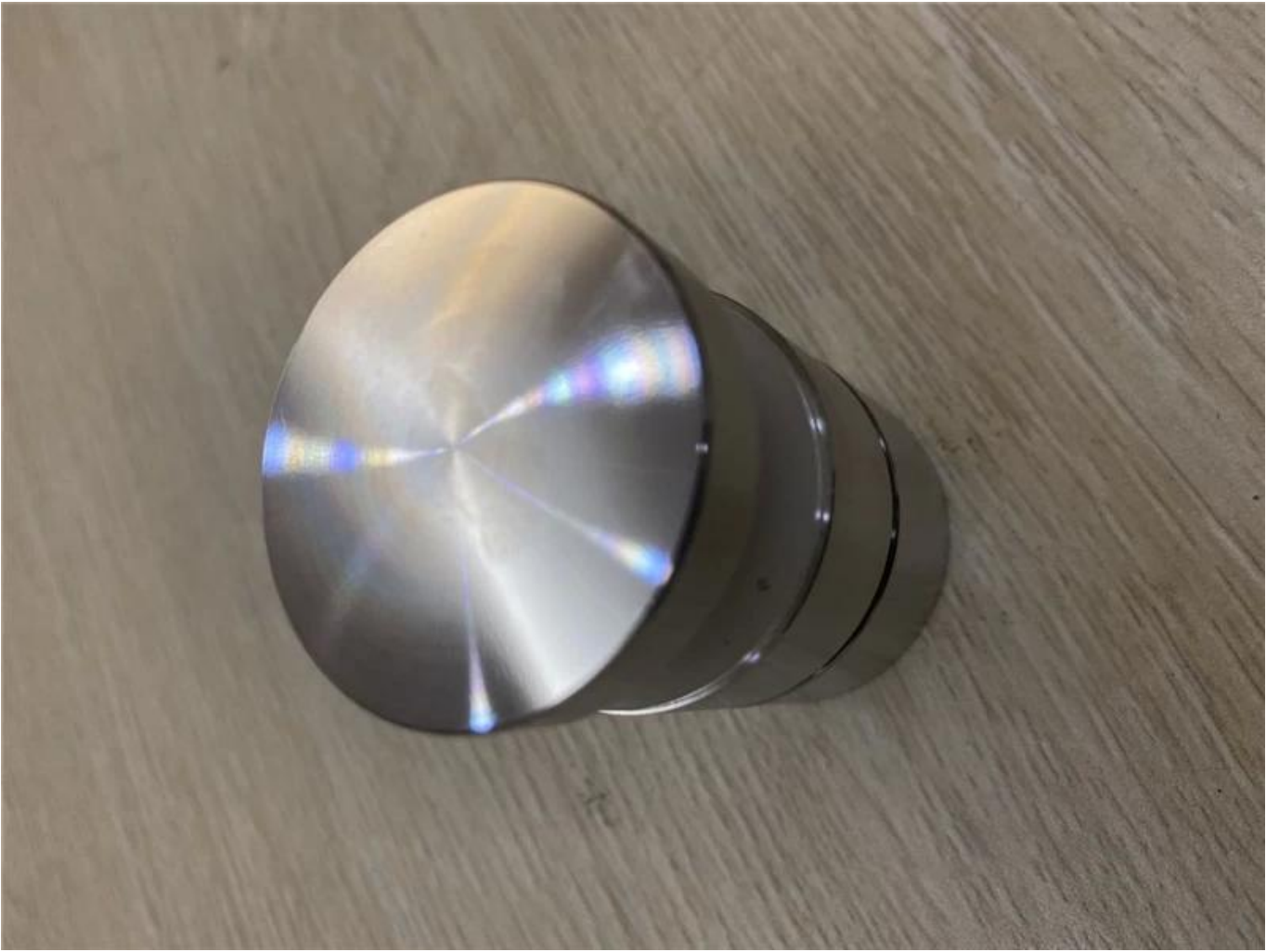
TO PWE

Electronic Compact Scale

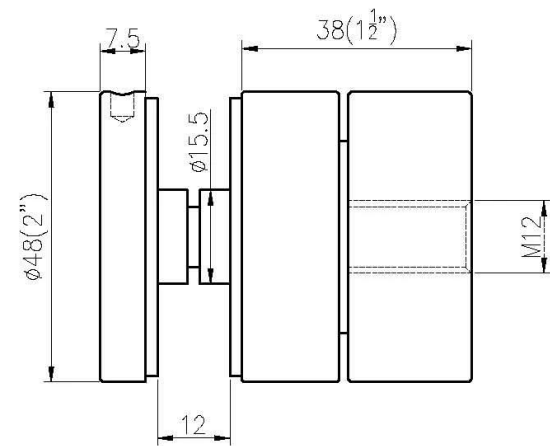
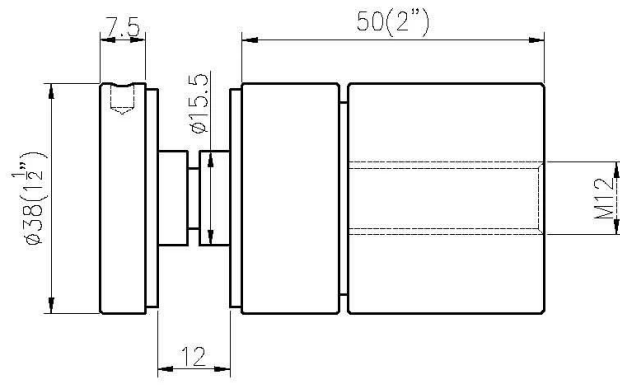
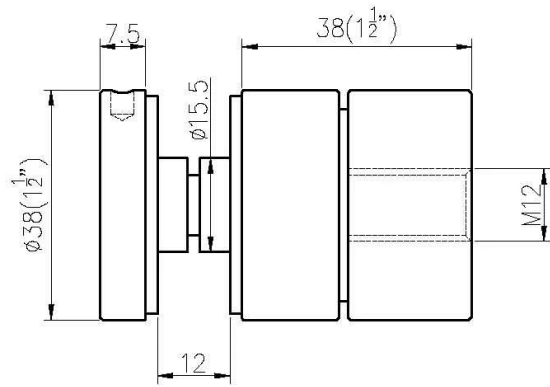
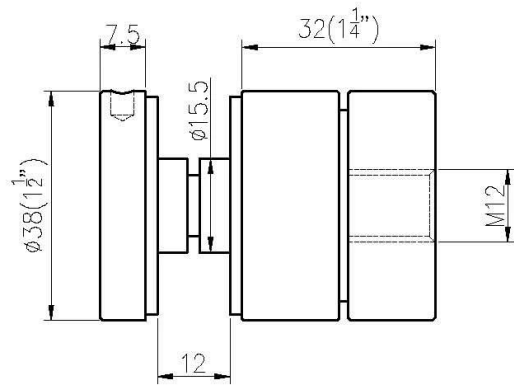
教学用





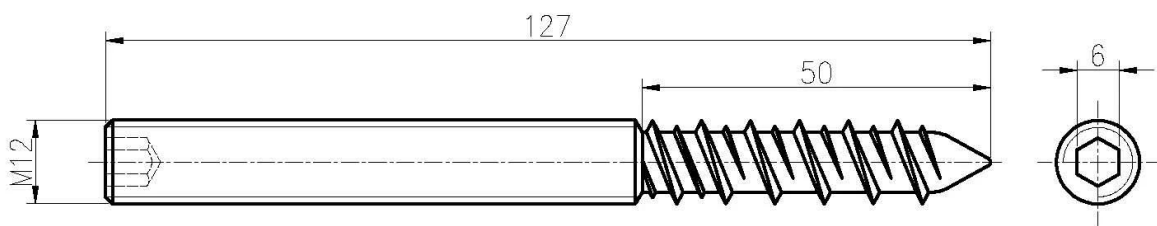
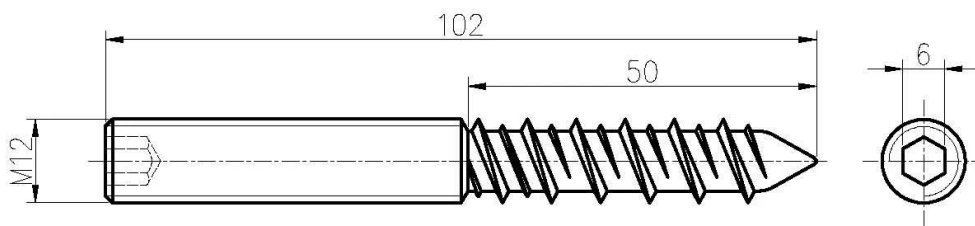
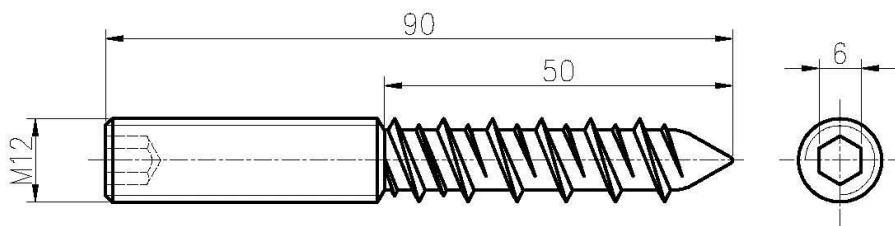
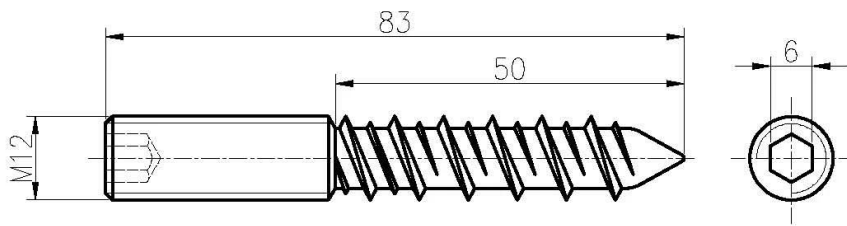
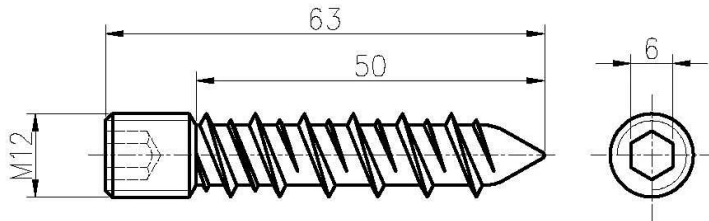


3). Drawings of adjustable glass stand offs-





Hanger bolt size-



4). Project photos of frameless glass balustrade stand off systems-



