

Frameless fencing easy install standoff for staircase

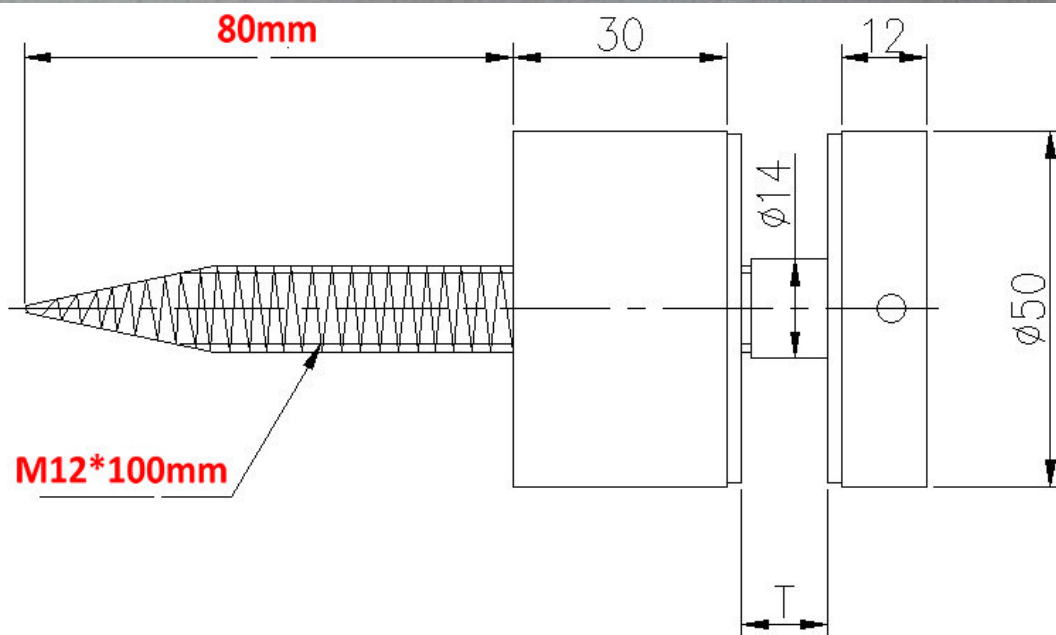
Specifications

- 1.Material:SS 304 or 316
- 2.Finish:mirror or satin
- 3.Tube dia:42.4/50.8mm
- 4.Post in height:900-1400mm
- 5.For 6-19mm glass holding

Product Description

frameless glass balustrades or railings with stainless steel standoffs:

- custom size made standoff, CNC machining
- stainless steel or aluminum or brass material
- satin or polish or chrome finish
- for frameless glass balustrade or glass railing
- for glass balcony or glass staircase or deck railing or timber balustrade
- clear toughened tempered glass,laminated glass ,tint glass
- Glass thickness can be **6-19mm**
- Glass height can be 900mm to 1200mm
- Glass width can be 1000mm or 1500mm
- **Side mounted or side fixed**
- with top rail or without top rail or with side hand rail
- 4 standoffs or even 6 standoffs to support one glass panel
- 2 types screw: **standoff for concrete mount** and **standoff for wood mount**



frameless glass fence, glass balustrade, glass railing with stainless steel standoff project photo:



