

1/8" Cable 316 Stainless Steel Cable Railing Kits Hand Swage Threaded Stud Tension End Fittings Cable Railing Hardware

Specifications:

Product Name	1/8" Cable 316 Stainless Steel Cable Railing Kits Hand Swage Threaded Stud Tension End Fittings Cable Railing Hardware
Material	Stainless steel 304 / 316
Finish	Mirror polished or satin brushed
For cable diameter	3mm(1/8") or 5mm(3/16")
Net weight	46g/piece
Hydraulic crimper	Yes, Hydraulic crimper required to tighten cable
Cable tensioner installation	Steel or stainless steel post
Manufacturer method	CNC machining (high quality)
Cable tensioner safety packaging	(1) Bubble bag--box--carton (2) As per customer's requirements.
Cable tensioner Application	Indoor and outdoor balcony / deck / stairs / terrace cable railing designs
MOQ	One pair (2 pieces)
Sample	Available
Factory inspection	Acceptable
OEM & ODM Service	Acceptable



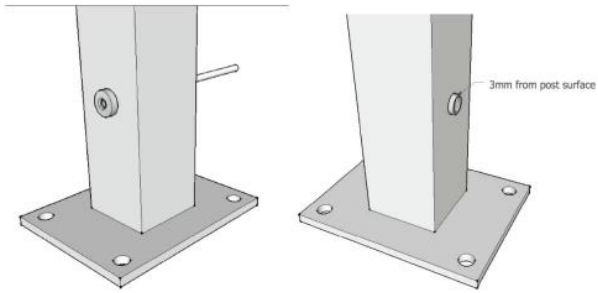






Installation:

Cable fitting T807A installtion

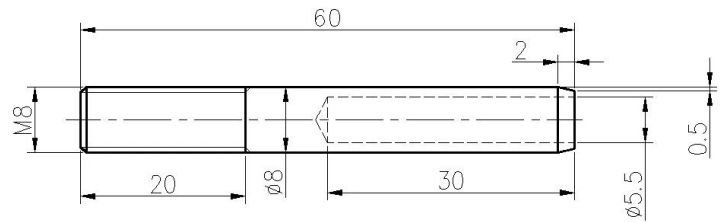
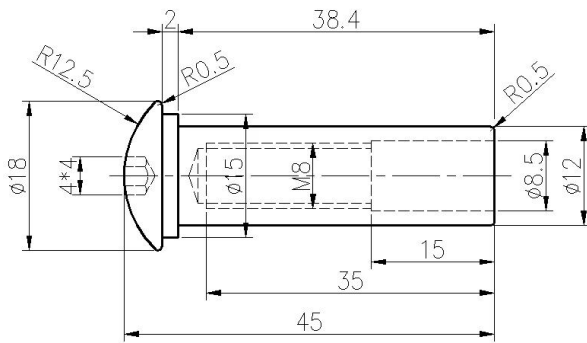


Put cable inside part 1 and tighten with hydraulic crimper , then let part 2 go Through post and then screw together With part 1 .



Hydraulic Crimper

Technical Drawing:



Project Photos:





Type 316 stainless steel has the best corrosion resistance among standard stainless steels. It resists pitting and corrosion by most chemicals, and is particular resistant to saltwater corrosion.

These can be used for a variety of applications. Sail boats and yachts, cable railing, and for shade sails.

- 1) Material: stainless steel 316 or stainless steel 304
- 2) Surface finish: highly polished or satin brushed
- 3) Standard: Metric and UNF
- 4) Customer design: our experienced engineer team can developed the products and manufacture in accordance with samples, drawings or only ideas
- 5) Delivery: by sea, by air or by express service
- 6) Price term: FOB or CIF

- 7) Sizes: from 3mm to 6mm or as per your requests
- 8) Type: Swaged countersunk head end, swaged flathead end and swaged domehead end
- 9) Packing: clean poly bags and cartons and pallets or as per requests
- 10) For more swage adjuster, please email us for full catalogue

Contact us for more information:

HP/WhatsApp/WeChat: +8613686807796

E-mail: sales03@launch-china.cn