

## Product Specs.

|                     |  |
|---------------------|--|
| Product name        | 180 degree glass to glass glass clamps             |
| Material            | Stainless steel 316 or 304                         |
| Surface finish      | Satin brushed, mirror polished, matt black, etc.   |
| For glass thickness | 10-12mm, other customized glass are available      |
| Mounted             | Glass to glass                                     |
| Railing types       | Mostly used for frameless glass railing            |
| Application         | Swimming pool fencing, balcony glass railing, etc. |

## Product Show

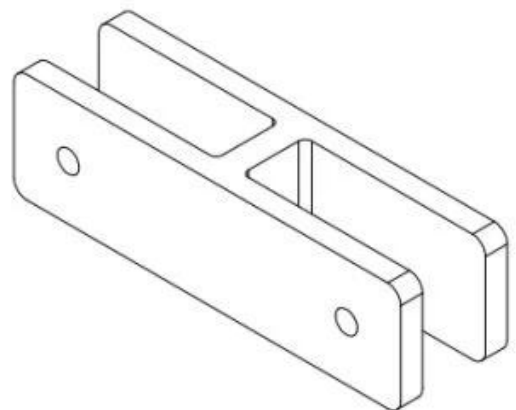
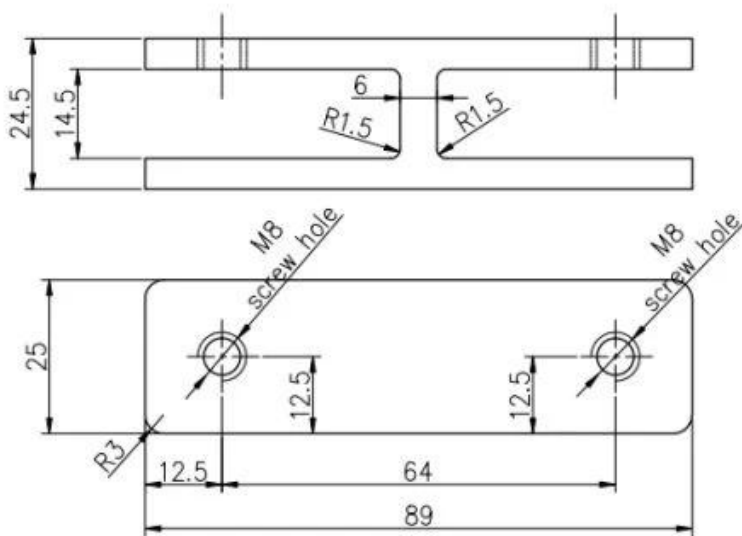




Small M8 screws with plastic end for the glass clamp

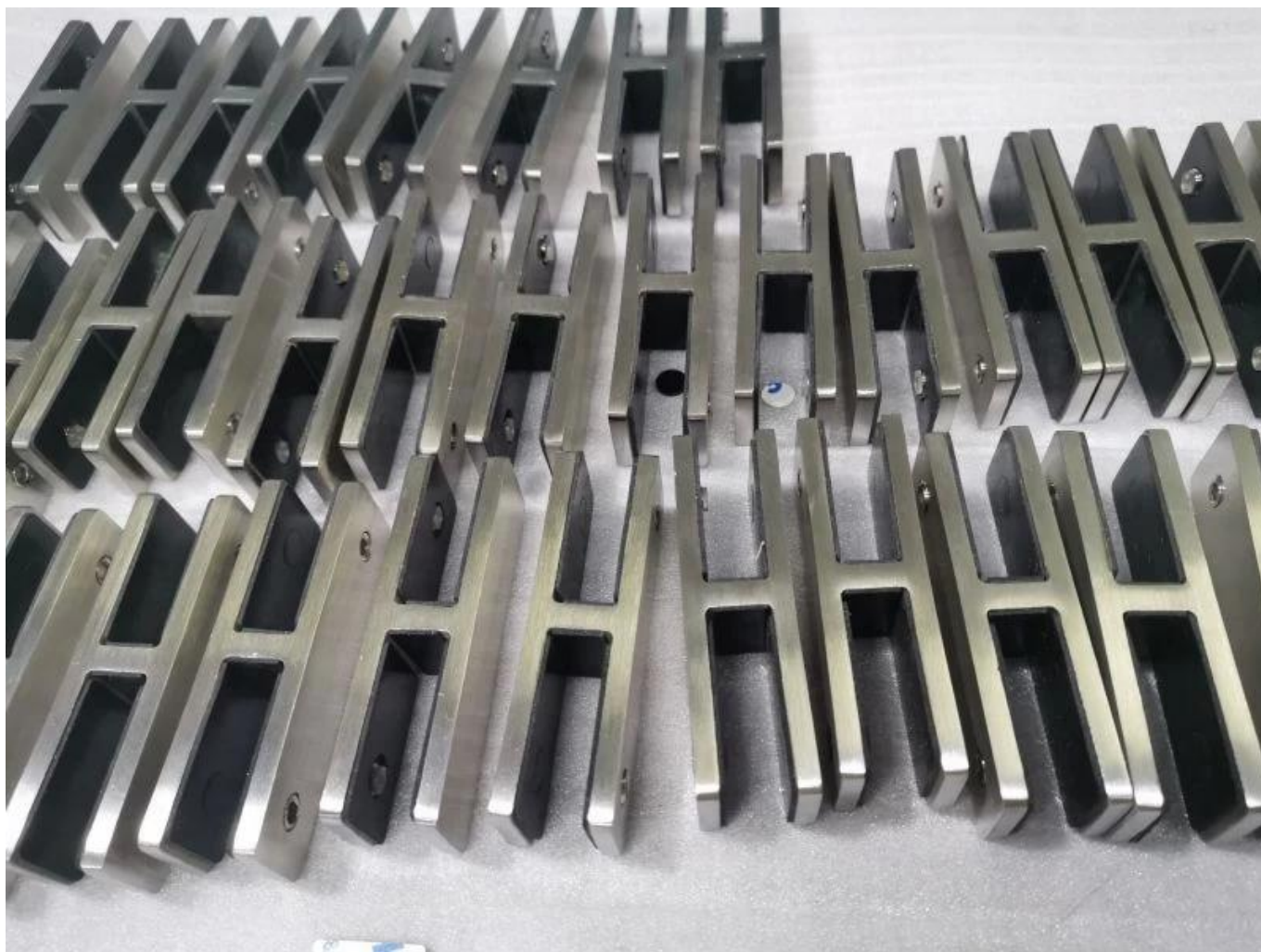


**Technical drawing**



Glass TO GLASS HOLDER 180°

**Mass Production**



**Application photo**





**Other types of glas clamps**





**G102**



**G103/G104**



**G105**



**G108R**



**PV-90**



**CB-180**



**BC-60**



**BC-80x35**



**CB-90**

**Mass production**





**Project photo**





**If you have any inquiries for them, please feel free to contact me.**

**Frank Fang**

**Email: [sales02@launch-china.cn](mailto:sales02@launch-china.cn)**

**Phone/WhatsApp/Wechat: [+8615906261741](tel:+8615906261741)**