

Product Description

1. Grade: SUS316, SUS316L, DUPLEX2205
2. Glass thickness: 10mm - 13.52mm
3. Finish: Satin or mirror polished
4. Certification: ISO9001, CCC

Product Name: 185mm Height Solid Core Drilled SS316 Glass Spigot for Swimming Pool Railing

Material: stainless steel

Model number: SCM

Mounted: Flooring

Application: Frameless Pool fencing & Railing

Products Show

SCM



Mirror



Satin







Packing & Delivery

Packing Details :

1. Each spigot is wrapped with plastic film and air bag, and then put in a carton.
2. 100 spigots are packed in one bog plywood case.
3. Also can be packed as clients' requirements.

Delivery Details : 10-15 workdays after payment.

Test report

Results Summary

(For details of individual tests, refer to the tables on the following pages.)

ID	Item/Heat No.	Dimensions/Type/Details	Finish	Overall Assessment
14117/01	SSBM316	180mm High, 50mm Square, Base Plate 316 Stainless steel	316L	COMPLIES

Remarks

After completion of the testing, the spigot was found to be in sound condition with no breakage, tearing or signs of fracture and no looseness of the fixings.

Colin Lorrimer
Metallurgical Testing Manager



Accreditation No. ~~1001~~
Accredited for compliance
with ISO/IEC 17025

Our Certifications

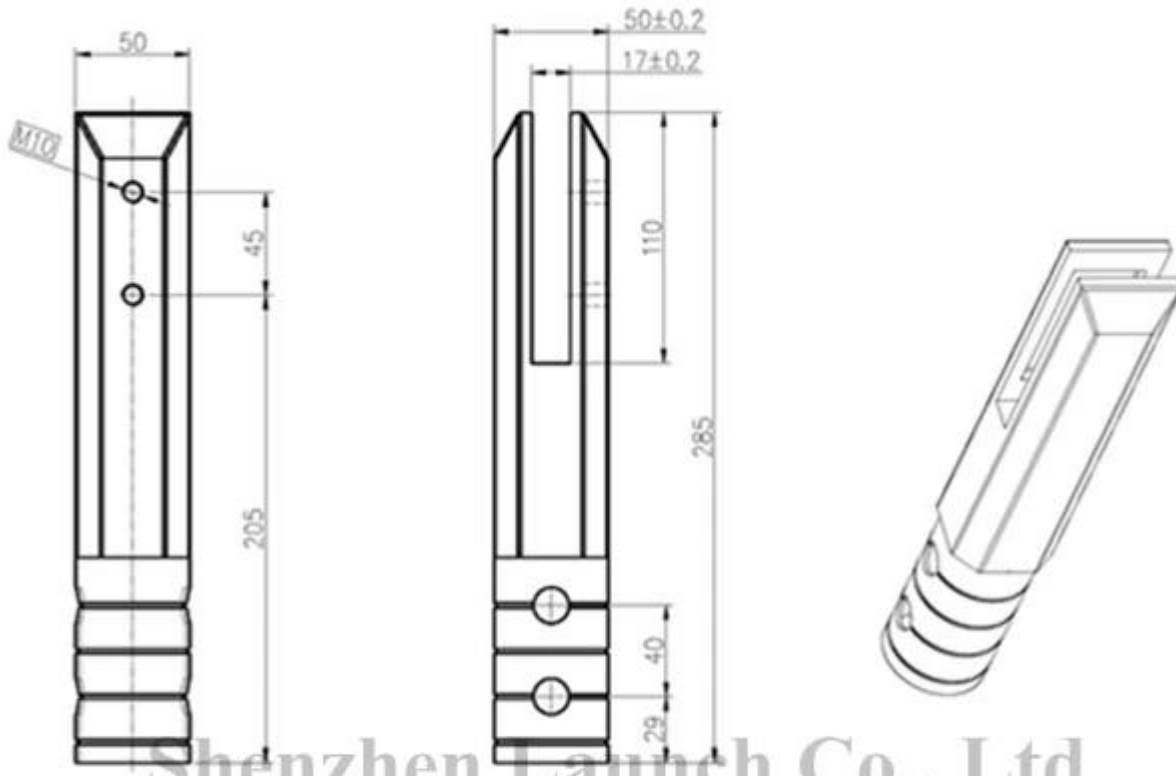
ISO
9001:2008
REGISTERED

Shenzhen Launch Co.,Ltd

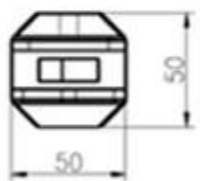
www.launch-china.cn

Product drawing

Project name



Shenzhen Launch Co., Ltd



深圳市朝临商贸有限公司 SHENZHEN LAUNCH CO., LTD.		表面处理
设计	裴佳辉	材料
校对	图号:SCM	未
工艺	名称:Spigot	线性公差
审核	版次	角度公差
批准	Y001	

数量共页第页

Contact

Eve Chow

Sales representative

M : +86 159 0733 4556

T : +86 755 8603 7559

E : sales03@launch-china.cn

A : B5-5003, Yilida Bldg, Nanshan District, Shenzhen