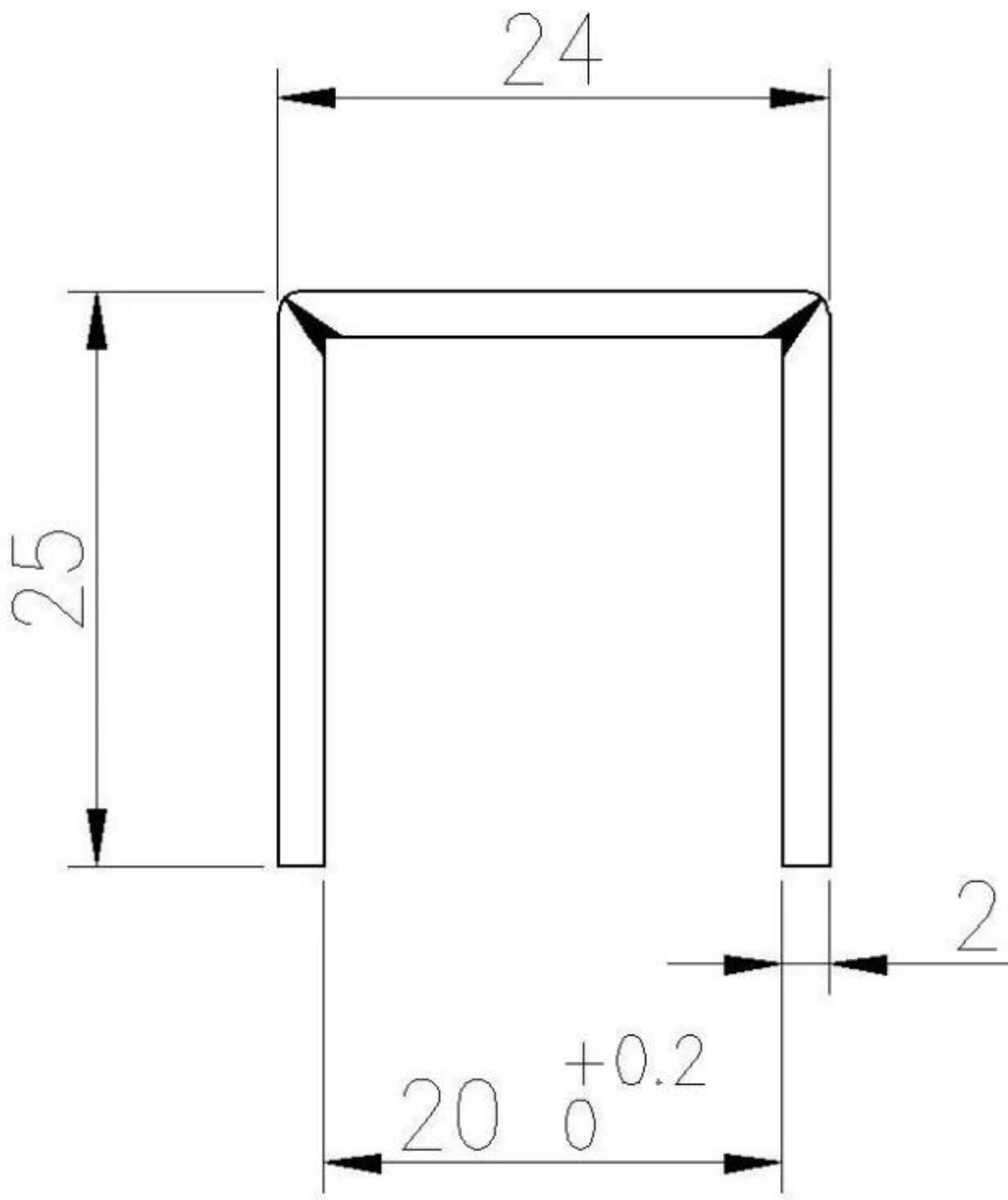


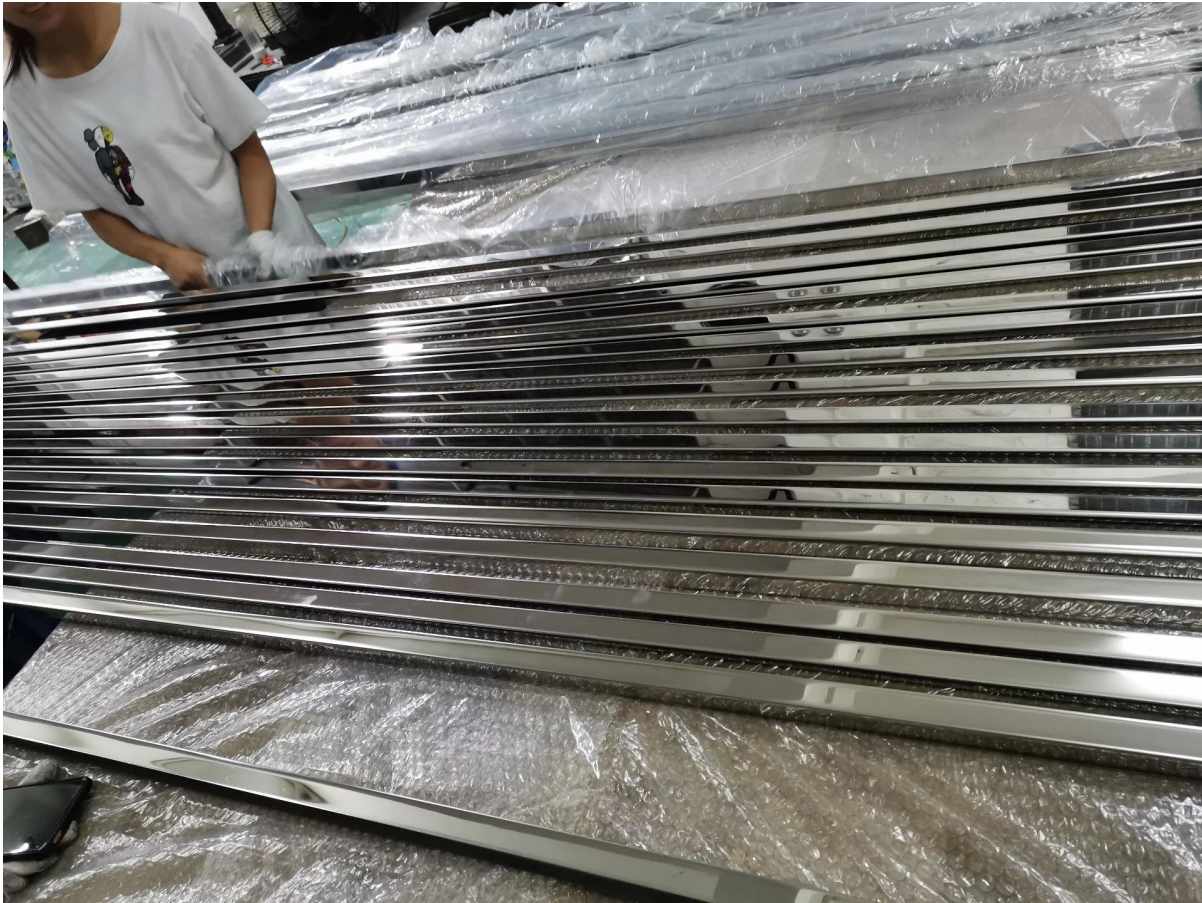
Simple design folded stainless steel U channel cap rail for frameless glass railings , square 24x25mm with 20mm groove for 12-15mm thickness glass .

Specs. as following-

1. diemsnions 24x25mm , thickness 2mm , 20mm groove for 12-15mm glass
2. 3m or 4m per length
3. made by folding



production photos of stainless steel u channel cap rail-



Rubber channel to match with 24x25mm cap rail for 15mm glass -



Project photo of stainless steel u channel cap rail for glass railings-

