

316 brushed stainless steel glass handrail bracket for glass handrail system .

Features of glass handrail bracket -

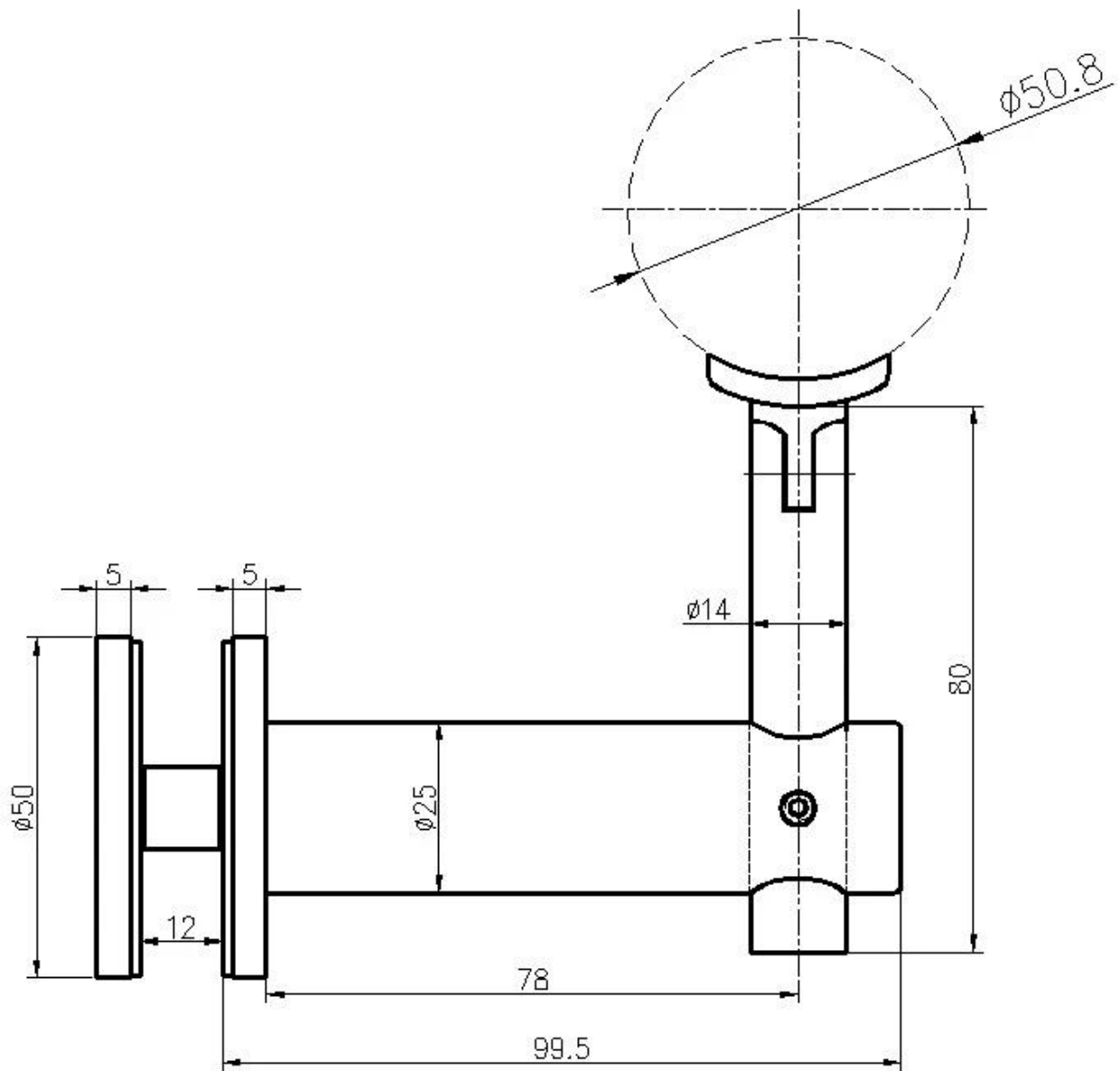
- Model # P707
- Material 304/316 stainless steel
- Finish : satin /mirror
- For 10-19mm thickness glass
- Glass mount handrail bracket
- MOQ 20-100 pcs , depending on stock quantity
- For round handrail 38.1/42.4/50.8mm ; square handrail 38/40/50mm

Photos of P707 glass handrail bracket -





Drawing for glass handrail bracket P707



Project photos of glass handrail system -

